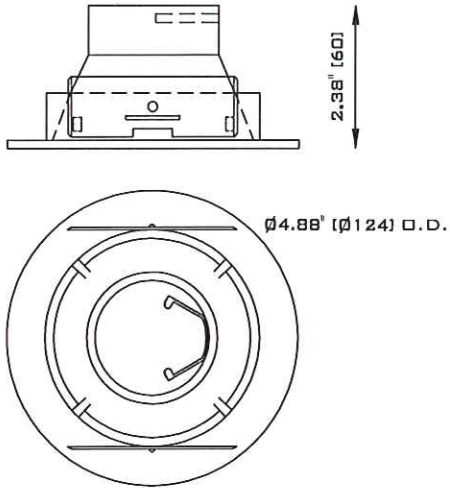
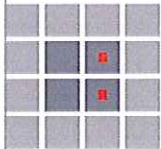


X3507



3.622" [92MM]
CUTOUT HOLE



TRIM

- (-01) GLOSSY WHITE
- (-11) MATTE WHITE
- (-13) SATIN NICKEL

REFLECTOR

NON ADJUSTABLE
CLEAR REFLECTOR

LIGHT SOURCE

-  LED GU10 - 120V - 2W MAX. EQUIVALENT LIGHTING EFFECT OF A 35W GU10.  GU10 / GZ10 - 50W MAX. 120V. 38° AND 60° BEAM AVAILABLE.
-  LED MR16 - 12V - 5W MAX. EQUIVALENT LIGHTING EFFECT OF A 40W MR16.  MR16 - 12V - 50W MAX. 38° AND 60° BEAM AVAILABLE.

HOUSINGS


REMODELING

NEW CONSTRUCTION

INSULATED



MR16 - 12V 

GU10 GZ10 

XR35MR16M

XR35GU

XN35MR16M

XN35GU

XIC35MR16M

XIC35GU