

---

## **INSTRUCTIONS IMPORTANT SAFEGUARDS**

When using electrical equipment, basic safety precautions should always be followed including the following:

1. **READ AND FOLLOW ALL SAFETY INSTRUCTIONS!**
2. Make it sure that breaker switch is OFF before installing the unit.
3. Do not use outdoors.
4. Do not let power cords touch hot surfaces.
5. Do not mount near gas or electric heaters.
6. Equipment should be mounted in locations and at heights where unauthorized personnel will not readily subject it to tampering.
7. The use of accessory equipment not recommended by Beluce Canada Inc., may cause an unsafe condition, and will void the unit's warranty.
8. Do not use this equipment for other than its intended purpose.
9. Servicing of this equipment should be performed by qualified service personnel.
10. **SAVE THESE INSTRUCTIONS!**

---

### **INSTALLATION**

1. Measure distance from walls and mark position of housing to be installed on ceiling.
2. Using template provided, carefully scribe circle on desired location.
3. Carefully cut 4<sup>1</sup>/<sub>4</sub>" diameter hole in ceiling with keyhole saw.
4. Provide electrical service according to your local electrical code for a suitable junction box. Supply wire insulation must be rated for at least 90°C.
5. Remove the junction box cover (Figure 1). Remove the appropriate knock-out(s) to accommodate the type of electrical service to be used. Install appropriate box connector (by others).
6. Insert electrical supply cable through box connector in the junction box. Wire housing using quick connect push-in terminals (Figure 2). Connect green ground wire of cable to green wire on fixture. Connect black wire of cable to black wire of fixture. Connect white wire of cable to white wire of fixture. Make certain there are no exposed strands of wire.
7. Place all wiring and connections back in junction box and replace cover.
8. Insert housing into ceiling (junction box first). NOTE: Make sure the clips are flush to outside of housing.
9. Hold housing flush against ceiling. Push end of clip out and away from housing. Push clip up until lock-up tap is snapped into slot to clamp ceiling. Tighten Clips. Repeat with other clips.
10. Install lamp into the trim.
11. Install MR16 (50W max) into the socket.
12. Push trim and lamp into the housng. Ensure trim is flush with the ceiling.

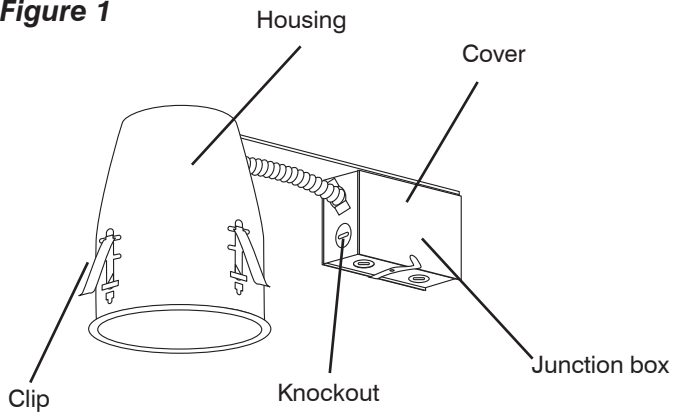
---

### **MAINTENANCE**

If the equipment is being used to fulfill the Building and/or Fire Code requirements, the Code requires that the equipment be tested every 30 days for 30 seconds, and that written records be maintained. Further, the equipment is to be tested once a year for the required time duration. The equipment is to be repaired whenever the equipment fails to operate as intended during the duration test. Written records of test results and any repairs made must be maintained. Beluce Canada Inc. strongly recommends compliance with these code requirements.

NOTE: The servicing of any parts should be performed by qualified service personnel only. The use of replacement parts not furnished by Beluce Canada Inc., may cause equipment failure and will void the warranty.

**Figure 1**



**Figure 2**

