



TAHOE™

UFO High Bay



SKU #	DLC Model #.
157029	HB08-150L-CS-3CCT
156832	BLT-HB08-300L-CS-3CCT
156832-1	HB08-300M-CS-3CCT

Beyond LED Technology's TAHOE LED UFO High Bay is a feature-rich lighting fixture designed for maximum efficiency and durability. Offering up to 165 lumens per watt, the TAHOE maximizes energy savings while providing bright, consistent lighting, making it an ideal solution for warehouses, gymnasiums, manufacturing facilities, and outdoor canopies. Its wattage and CCT adjustability ensures that you can tailor the light output to your specific needs. Built to endure tough environments, the TAHOE features an IP65 rating, ensuring dustproof and water-resistant protection. With a beam angle of 90°, it provides uniform, wide-area illumination for large spaces. The quick-connect driver-to-optical assembly allows for easy maintenance and upgrades. The fixture comes equipped with a 1-pin motion sensor base for occupancy detection, and it also includes a 2ft power cord for added convenience. The O-hook included ensures easy and secure installation, making the TAHOE a dependable choice for demanding environments.

Product Features

- Up to 165 lm/W
- Adjustable wattage
- Adjustable CCT
- 1-pin motion sensor + cap
- 90° beam angle
- Die-cast Aluminum
- Black housing
- O-hook included
- IP65 rated
- Input Voltage 120-277VAC
- UL & DLC listed
- 5-year warranty

TAHOE™

UFO High Bay



SKU	ADJ. WATT	MAX LUMENS	ADJ. CCT	INPUT VOLTAGE	CRI	LIGHT SPREAD	CONSTRUCTION	DIMMING	IP RATING	CERTIFICATIONS
157029	100W/125W/150W	24750	4000K/5000K/5700K	120-277V	>80	90°	Die-cast Aluminum+PC	0-10V	IP65	UL & DLC
156832	200W/240W/300W	49500	4000K/5000K/5700K	120-277V	>80	90°	Die-cast Aluminum+PC	0-10V	IP65	UL & DLC
156832-1	200W/240W/300W	49500	4000K/5000K/5700K	120-347V	>80	90°	Die-cast Aluminum+PC	0-10V	IP65	UL & DLC

SKU: 157029

Specifications

Parameter	Description	Value
General Performance	Model #	HB08-150L-CS-3CCT
	Adjustable Wattage	100W / 125W / 150W
	Max Lumens	24750
	Lumen Efficacy	Up to 165LM/W
	Color Temperature	4000K / 5000K / 5700K
	CRI (Ra)	>80
	Light Spread	90°
Electrical	Diffuser Type	PC Diffuser
	Input Voltage	120-277Vac
	Frequency	50/60Hz
	THD	<20%
	Dimming	0-10V
Physical	Power Factor	0.95
	Driver Surge Protection	L/N 6KV, L/N-P 6KV
	Operating Temperature	-40°C - 45°C
	LED Brand	Lumileds
	LED Type	SMD2835
	LED QTY	416 Pcs
Qualification	Construction	Die-cast Aluminum
	Housing Color	Black
	IP Rating	IP65
	Warranty	5 Years



TAHOE™

UFO High Bay

SKU: 156832

Specifications

Parameter	Description	Value
General Performance	Model #	BLT-HB08-300L-CS-3CCT
	Adjustable Watt	200W / 240W / 300W
	Max Lumens	49500
	Lumen Efficacy	Up to 165LM/W
	Color Temperature	4000K / 5000K / 5700K
	CRI (Ra)	>80
	Light Spread	90°
Electrical	Diffuser Type	PC Diffuser
	Input Voltage	120-277Vac
	Frequency	50/60Hz
	THD	<20%
	Dimming	0-10V
Physical	Power Factor	0.95
	Driver Surge Protection	L/N 6KV, L/N-P 6KV
	Operating Temperature	-40°C - 45°C
	LED Brand	Lumileds
	LED Type	SMD2835
	LED QTY	864 Pcs
	Construction	Die-cast Aluminum
Qualification	Housing Color	Black
	IP Rating	IP65
	Warranty	5 Years

TAHOE™

UFO High Bay



SKU: 156832-1

Specifications

Parameter	Description	Value
General Performance	Model #	HB08-300M-CS-3CCT
	Adjustable Watt	200W / 240W / 300W
	Max Lumens	49500
	Lumen Efficacy	Up to 165LM/W
	Color Temperature	4000K / 5000K / 5700K
	CRI (Ra)	>80
	Light Spread	90°
Electrical	Diffuser Type	PC Diffuser
	Input Voltage	120-347Vac
	Frequency	50/60Hz
	THD	<20%
	Dimming	0-10V
Physical	Power Factor	0.95
	Driver Surge Protection	L/N 6KV, L/N-P 6KV
	Operating Temperature	-40°C - 45°C
	LED Brand	Lumileds
	LED Type	SMD2835
	LED QTY	864 Pcs
	Construction	Die-cast Aluminum
Qualification	Housing Color	Black
	IP Rating	IP65
	Warranty	5 Years

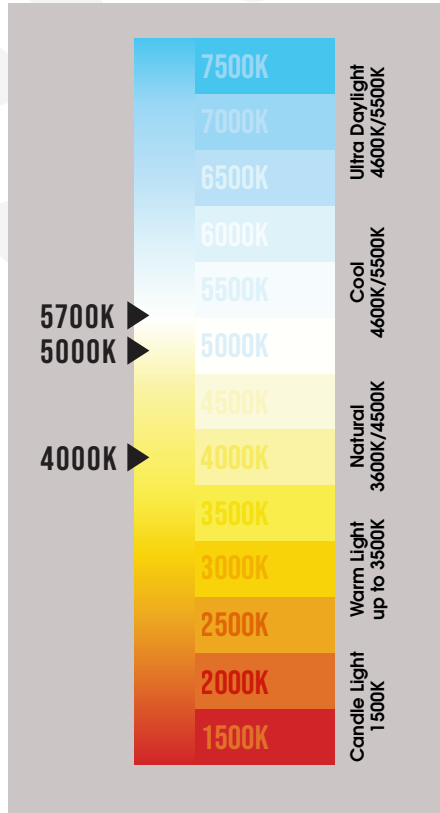
UFO HIGH BAY



TAHOE™

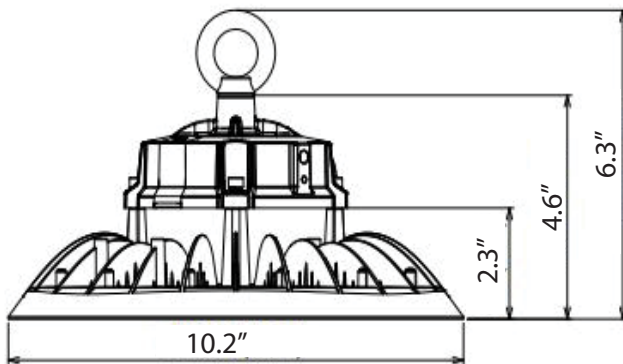
UFO High Bay

Correlated Color Temperature (CCT)

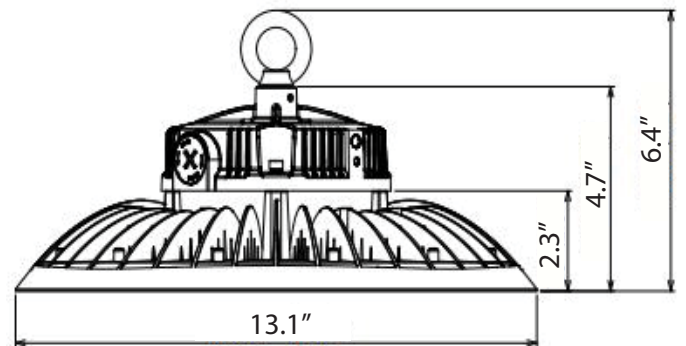


Dimensions

150 Watt



300 Watt

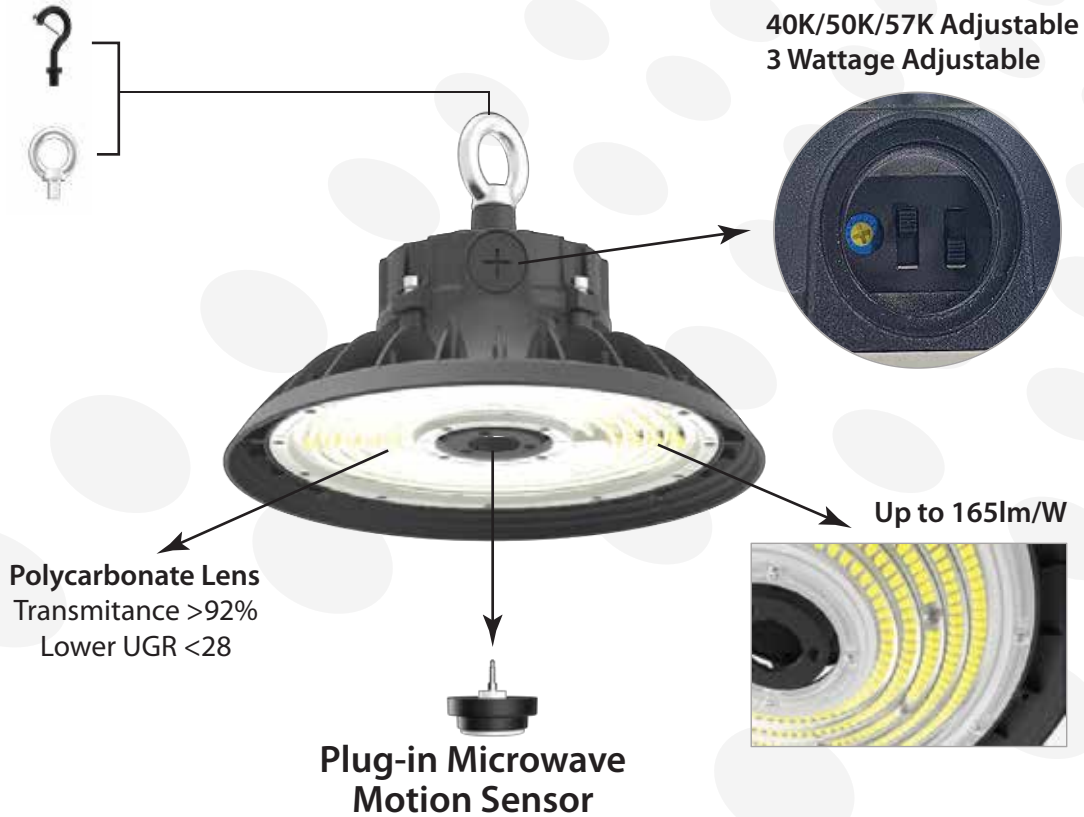


TAHOE™

UFO High Bay



Product Appearance



Mounting Included



Optional Accessories



Optional Sharkward
Pir Motion Sensor



Optional Sharkward
controller



Optional
Sharkward Microwave
Motion Sensor



Ceiling with
G Hook

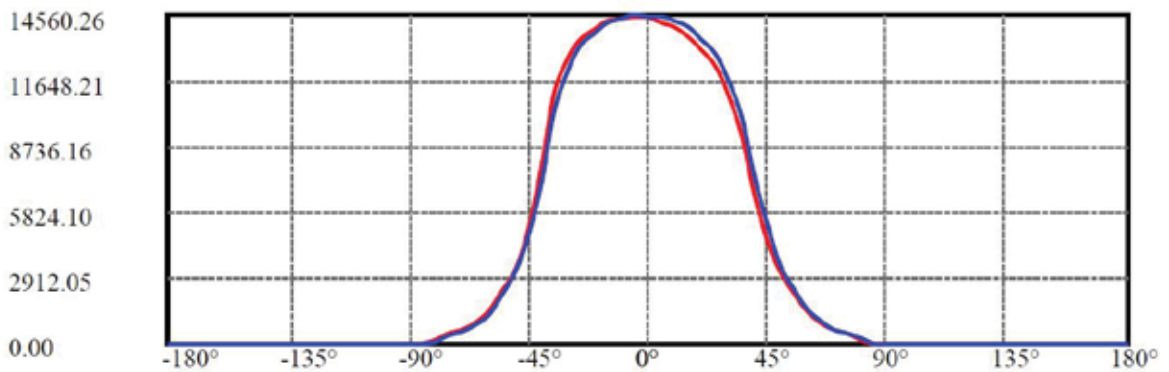
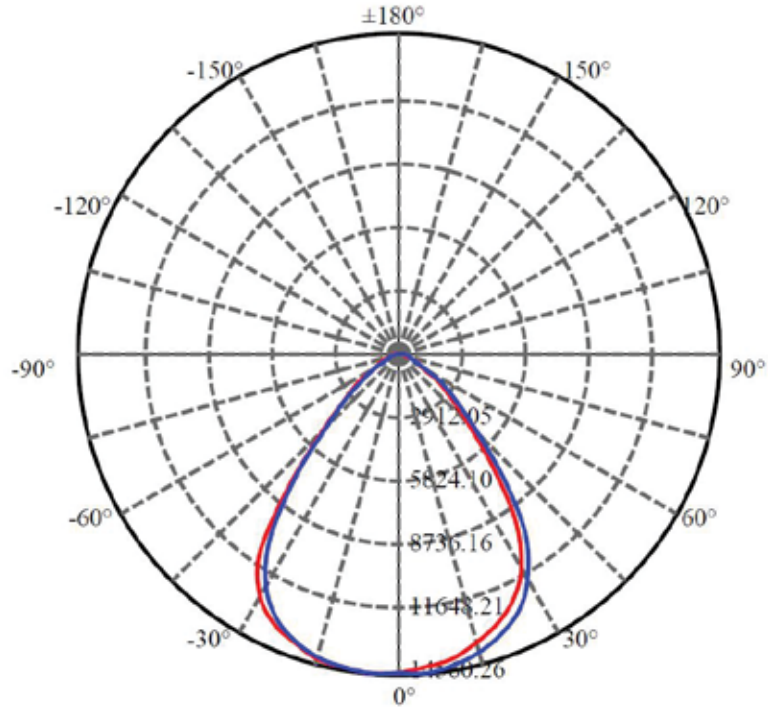


TAHOE™

UFO High Bay

SKU: 157029 Luminous Intensity Distribution Diagram

Luminous Intensity Distribution Diagram
Light Distribution Curve [Unit:cd]



C0/C180: —

C90/C270: —

Field angle(10%Imax):C0/180Left:60.0 Right:59.8

:C90/270Left:58.9 Right:60.7

Beam Angle(50%Imax):C0/180Left:41.0 Right:38.8

:C90/270Left:39.8 Right:40.5

TAHOE™

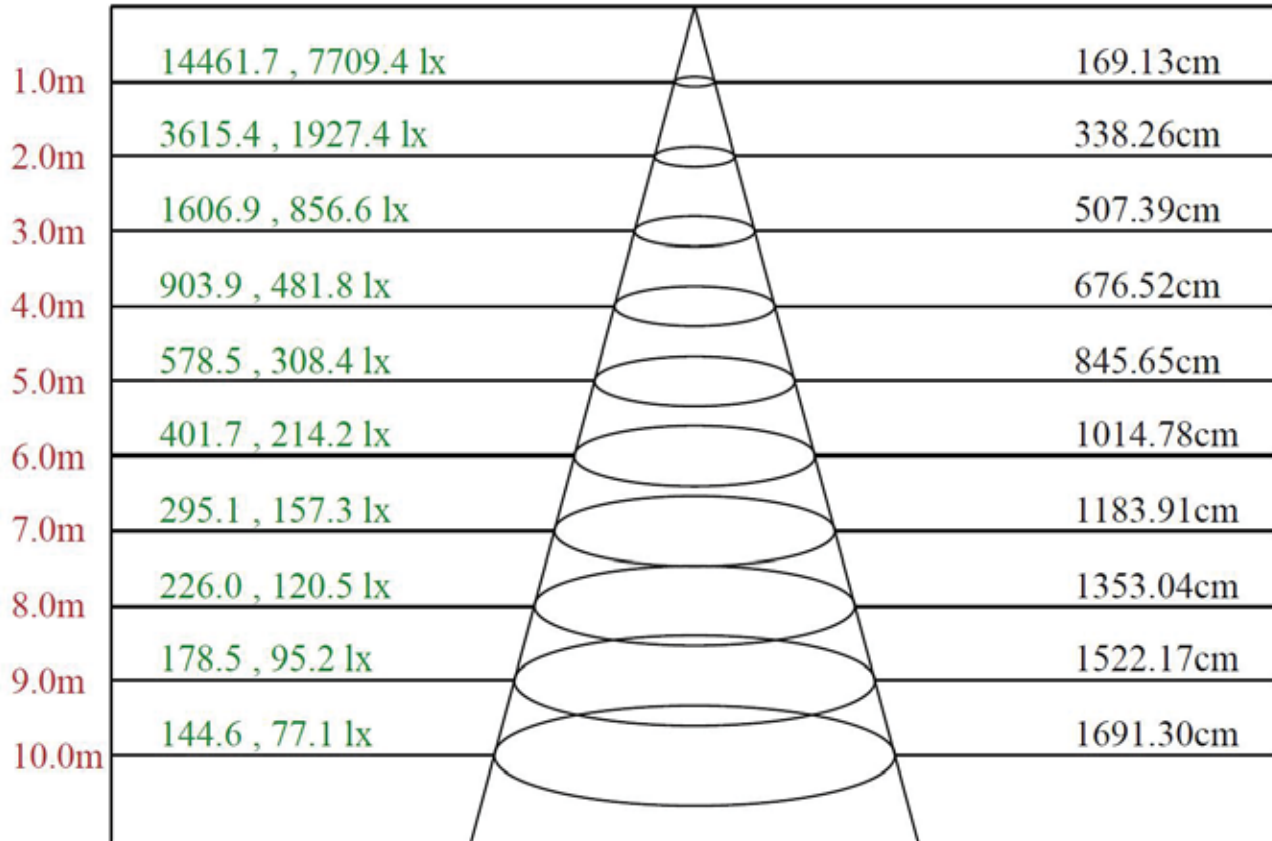
UFO High Bay



SKU: 157029

Lux Distance Curve

Lux distance Curve



Max , Ave

Beam angle of C270 plane 80.44

UFO HIGH BAY

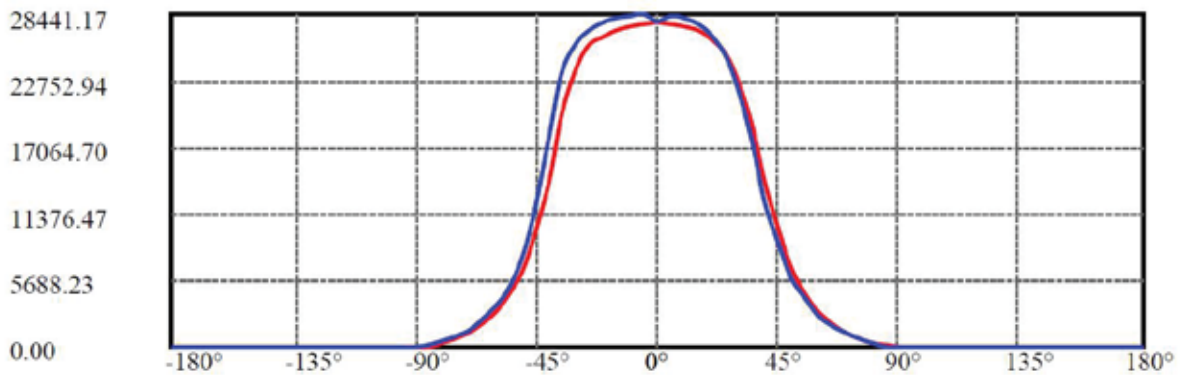
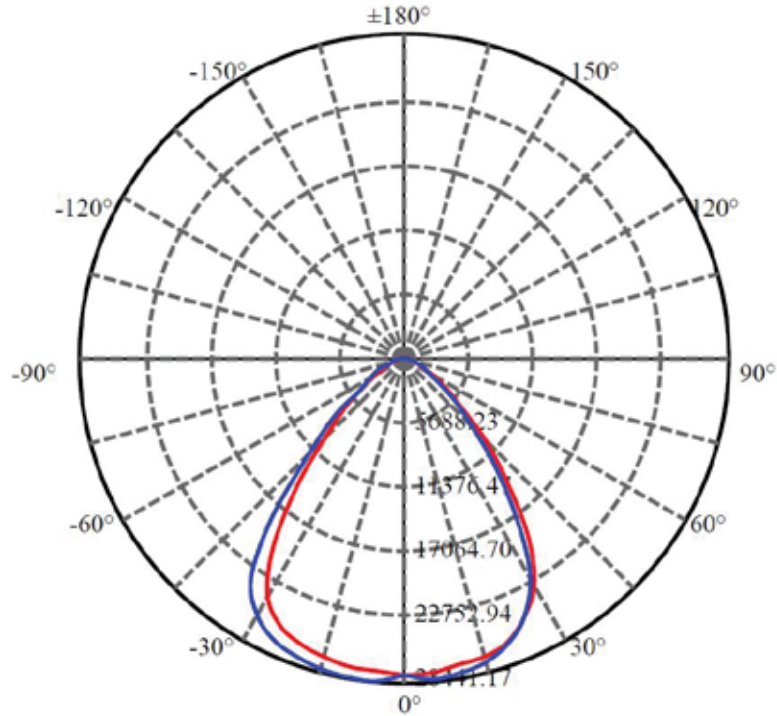


TAHOE™

UFO High Bay

SKU: 156832

Luminous Intensity Distribution Diagram



C0/C180: —

C90/C270: —

Field angle(10%Imax):C0/180Left:60.7 Right:60.9

:C90/270Left:62.9 Right:59.6

Beam Angle(50%Imax):C0/180Left:40.4 Right:40.3

:C90/270Left:43.1 Right:38.1

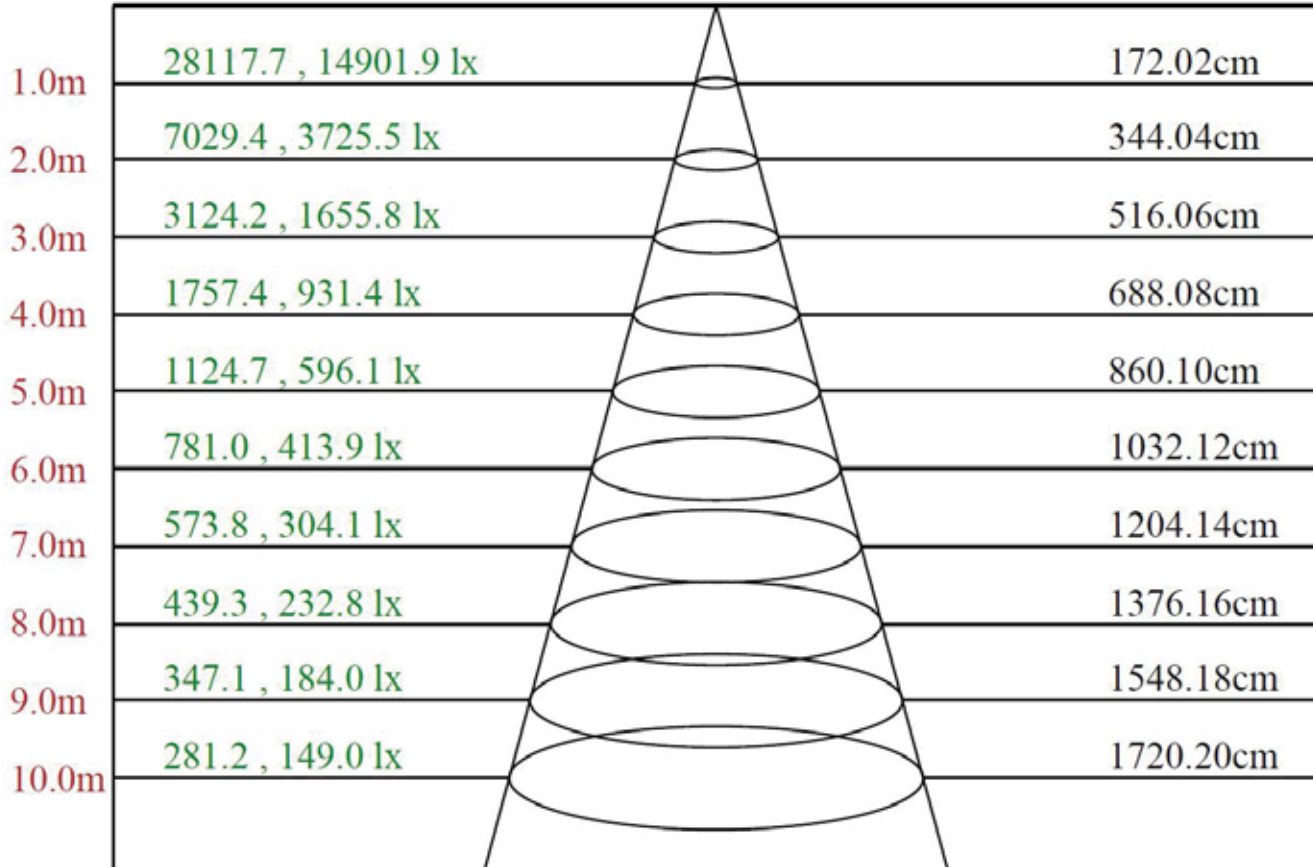
TAHOE™

UFO High Bay



SKU: 156832

Lux Distance Curve



Max , Ave

Beam angle of C270 plane 81.40

UFO HIGH BAY

TAHOE™

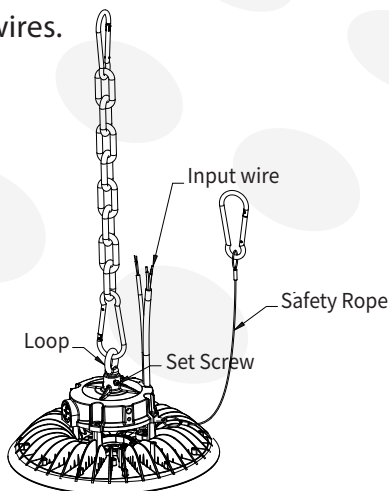
UFO High Bay



Installation

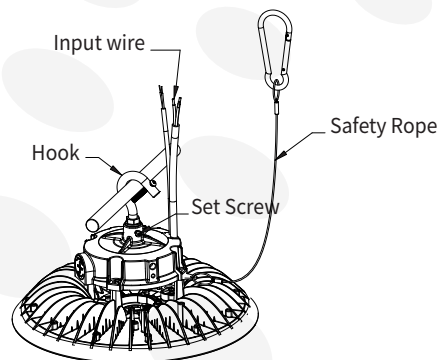
Ceiling with Loop

1. Fix the luminaire with a chain to the ceiling.
2. Use the buckles to fix safety rope with the body and loop.
3. Connect the wires.



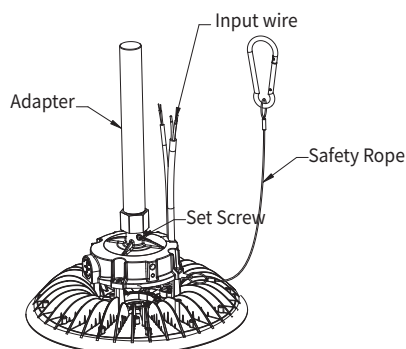
Ceiling with Hook

1. Unscrew the hook, fix the luminaire to the installation holders and screw the hook tightly.
2. Use the buckles to fix the safety rope with the body and hook.
3. Connect the wires



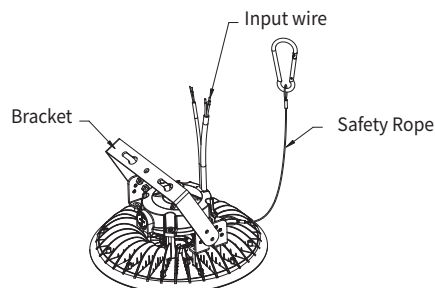
Ceiling with Loop

1. Fix the luminaire with bar and tighten the pole with an anti-skid screw.
2. Use the buckles to fix the safety rope with the lamp body and ceiling.
3. Connect the wires.



Ceiling with Hook

1. Trepan the installation holes as the size of the following figure.
2. Use screws to tighten the luminaire. The holder can be adjusted from 60D to 120D.
3. Use the buckles to fix the safety rope with the body and loop.
4. Connect the wires.





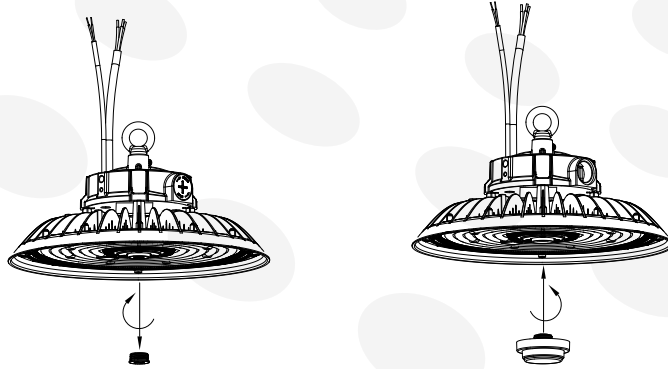
TAHOE™

UFO High Bay

Installation

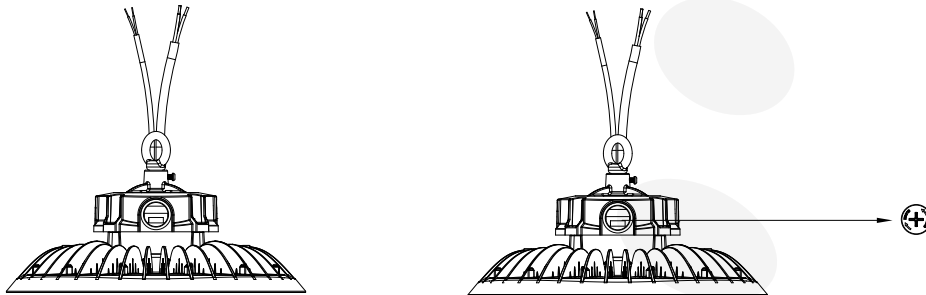
Motion Sensor Optional (Sold Separately)

1. Take out waterproof cap.
2. Screw-in motion sensor.
INote:Turn off power before you oprating
The more details please kindly check motion sensor specification.



Adjusting power and color temperature

1. Flip the color temperature switch to the desired color temperature.
2. Flip the power switch to the desired wattageas shown in the figure.



Warranty

LIMITED FIVE-YEAR WARRANTY.

Should this product fail to perform satisfactorily due to a defect or poor workmanship within five years from the date of purchase, return it to the place of purchase and it will be replaced free of charge. Incidental or consequential damages are excluded from the warranty.

TAHOE™

UFO High Bay



Packaging

SKU	Box Dimension	Qty	Net Weight	Gross Weight
157029	12.79" x 12.79" x 6.10"	1 Pc/Box	3.5 LBS	4.5 LBS
156832	15.63" x 15.63" x 6.29"	1 Pc/Box	6.6 LBS	8.1 LBS
156832-1	15.63" x 15.63" x 6.29"	1 Pc/Box	7.2 LBS	8.7 LBS

Application Image



UFO HIGH BAY



TAHOE™

UFO High Bay

Application Image



Warranty

This product is covered under a 5-year warranty. For complete warranty details, [Click Here.](#)