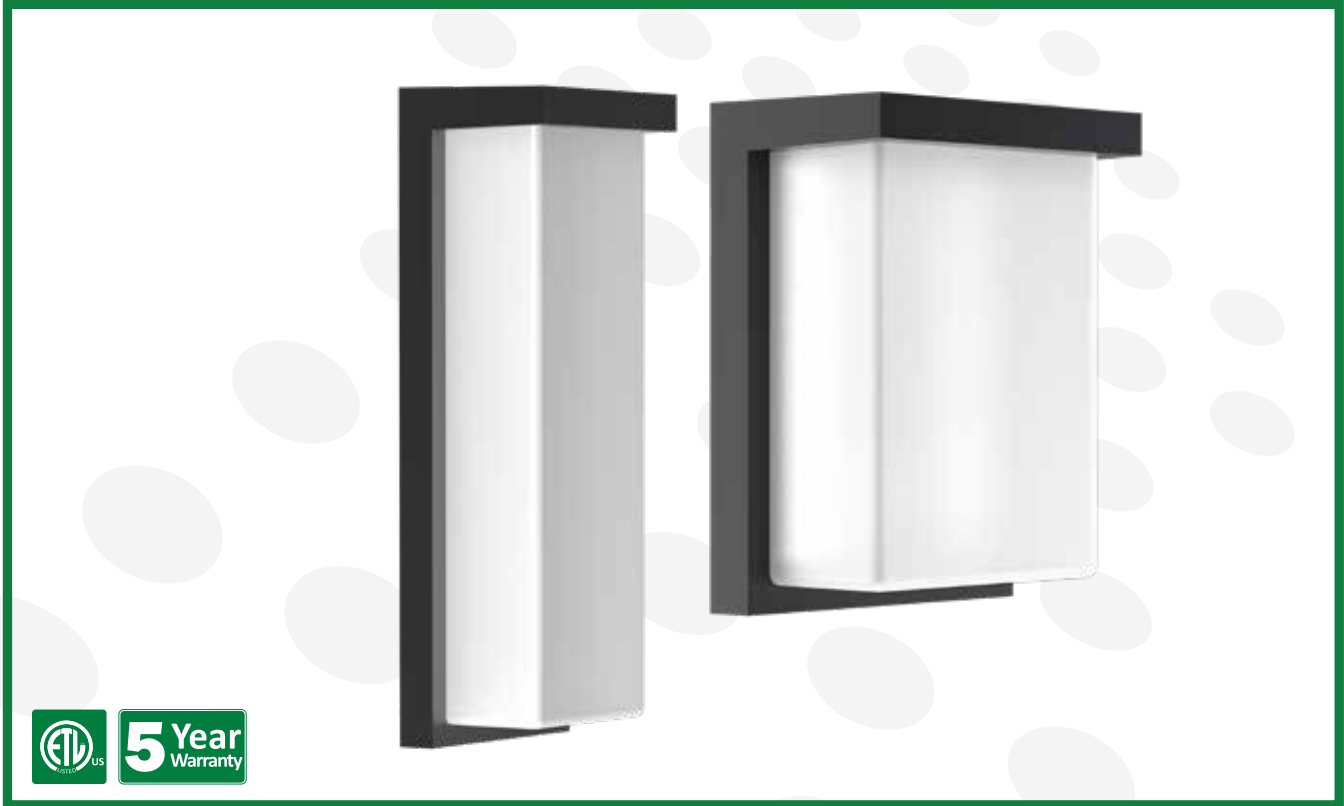




# ALTUS™

## Wall Sconce



| SKU #  | Model #                  |
|--------|--------------------------|
| 156258 | MT-WS16AD-W83C-864-011D  |
| 156259 | MT-WS22AD-W83C-1454-011D |
| 157021 | MT-WS22AD-W83C-1454-011D |

Beyond LED Technology's ALTUS LED Wall Sconce is a feature- rich lighting solution designed to bring functional elegance and brightness to any space. Available in two models, the first model offers adjustable wattage and adjustable CCT in 8-inch and 14-inch sizes, allowing you to customize the light output to meet various lighting needs. The second model features a fixed wattage of 22W and adjustable CCT, available in 14-inch size, with the added convenience of an on/off photocell switch for automatic operation.

Crafted with a sturdy aluminum frame, the ALTUS is built to endure the elements, offering weather resistance and durability for both indoor and outdoor applications. Its sleek black housing adds a touch of classical elegance, making it the perfect fit for modern commercial spaces, hotel lobbies, restaurants, and luxury hospitality settings.

### Product Features

- Up to 120 lm/W
- Adjustable Wattage
- Adjustable CCT
- 270° beam angle
- Black housing
- Input Voltage 120-277VAC
- ETL Listed
- 5-year warranty

# ALTUS™

## Wall Sconce



| SKU    | ADJ. WATT   | MAX LUMENS | ADJ. CCT | INPUT VOLTAGE | CRI | SIZE | LIGHT SPREAD | CONSTRUCTION | PHOTOCELL                        | IP RATING | CERTIFICATIONS |
|--------|-------------|------------|----------|---------------|-----|------|--------------|--------------|----------------------------------|-----------|----------------|
| 156258 | 12W/14W/16W | 1920       | 3K/4K/5K | 120-277V      | >80 | 8"   | 270°         | Aluminum+PC  | N/A                              | IP66      | ETL            |
| 156259 | 18W/20W/22W | 2640       | 3K/4K/5K | 120-277V      | >80 | 14"  | 270°         | Aluminum+PC  | N/A                              | IP66      | ETL            |
| 157021 | 22W         | 2640       | 3K/4K/5K | 120-277V      | >80 | 14"  | 270°         | Aluminum+PC  | Built-in Photocell On/Off switch | IP66      | ETL            |

### SKU: 156258

### Specifications

| Parameter           | Description             | Value                   |
|---------------------|-------------------------|-------------------------|
| General Performance | Model #                 | MT-WS16AD-W83C-864-011D |
|                     | Adjustable Watt         | 12W / 14W / 16W         |
|                     | Max Lumens              | 1920                    |
|                     | Lumen Efficacy          | Up to 120LM/W           |
|                     | Color Temperature       | 3000K / 4000K / 5000K   |
|                     | CRI (Ra)                | >80                     |
|                     | Light Spread            | 270°                    |
|                     | Diffuser Type           | Frosted                 |
| Electrical          | Input Voltage           | 120-277Vac              |
|                     | Frequency               | 50/60Hz                 |
|                     | Dimming                 | NO                      |
|                     | Power Factor            | >0.9                    |
|                     | Driver Surge Protection | 2KV                     |
|                     | Flicker Percent         | 20%                     |
| Physical            | Operating Temperature   | -20°C To 40°C           |
|                     | Operating Humidity      | 10% to 90%RH            |
|                     | Storage Temperature     | -20°C To 55°C           |
|                     | Storage Humidity        | 10% to 90%RH            |
|                     | LED Brand               | Everlight               |
|                     | LED Type                | 2835 SMD LED            |
|                     | LED QTY                 | 168Pcs                  |
|                     | Construction            | Weather Proof Plastic   |
| Qualification       | Housing Color           | Black                   |
|                     | IP Rating               | IP66                    |
|                     | Warranty                | 5 Years                 |



# ALTUS™

## Wall Sconce

SKU: 156259

### Specifications

| Parameter           | Description             | Value                    |
|---------------------|-------------------------|--------------------------|
| General Performance | Model #                 | MT-WS22AD-W83C-1454-011D |
|                     | Adjustable Watt         | 18W / 20W / 22W          |
|                     | Max Lumens              | 2640                     |
|                     | Lumen Efficacy          | Up to 120LM/W            |
|                     | Color Temperature       | 3000K / 4000K / 5000K    |
|                     | CRI (Ra)                | >80                      |
|                     | Light Spread            | 270°                     |
|                     | Diffuser Type           | Frosted                  |
| Electrical          | Input Voltage           | 120-277Vac               |
|                     | Frequency               | 50/60Hz                  |
|                     | Dimming                 | NO                       |
|                     | Power Factor            | >0.9                     |
|                     | Driver Surge Protection | 2KV                      |
|                     | Flicker Percent         | 20%                      |
| Physical            | Operating Temperature   | -20°C To 40°C            |
|                     | Operating Humidity      | 10% to 90%RH             |
|                     | Storage Temperature     | -20°C To 55°C            |
|                     | Storage Humidity        | 10% to 90%RH             |
|                     | LED Brand               | Everlight                |
|                     | LED Type                | 2835 SMD LED             |
|                     | LED QTY                 | 192Pcs                   |
|                     | Construction            | Weather Proof Plastic    |
| Qualification       | Housing Color           | Black                    |
|                     | IP Rating               | IP66                     |
|                     | Warranty                | 5 Years                  |

WALL SCONCE

# ALTUS™

## Wall Sconce



SKU: 157021

### Specifications

| Parameter           | Description             | Value                    |
|---------------------|-------------------------|--------------------------|
| General Performance | Model #                 | MT-WS22AD-W83C-1454-011D |
|                     | Watt                    | 22W                      |
|                     | Max Lumens              | 2640                     |
|                     | Lumen Efficacy          | Up to 120LM/W            |
|                     | Color Temperature       | 3000K / 4000K / 5000K    |
|                     | CRI (Ra)                | >80                      |
|                     | Light Spread            | 270°                     |
| Electrical          | Diffuser Type           | Frosted                  |
|                     | Input Voltage           | 120-277Vac               |
|                     | Frequency               | 50/60Hz                  |
|                     | Dimming                 | NO                       |
|                     | Power Factor            | >0.9                     |
|                     | Driver Surge Protection | 2KV                      |
| Physical            | Flicker Percent         | 20%                      |
|                     | Operating Temperature   | -20°C To 40°C            |
|                     | Operating Humidity      | 10% to 90%RH             |
|                     | Storage Temperature     | -20°C To 55°C            |
|                     | Storage Humidity        | 10% to 90%RH             |
|                     | LED Brand               | Everlight                |
|                     | LED Type                | 2835 SMD LED             |
| Qualification       | LED QTY                 | 192Pcs                   |
|                     | Construction            | Weather Proof Plastic    |
|                     | Housing Color           | Black                    |
|                     | IP Rated                | IP66                     |
| Warranty            | 5 Years                 |                          |

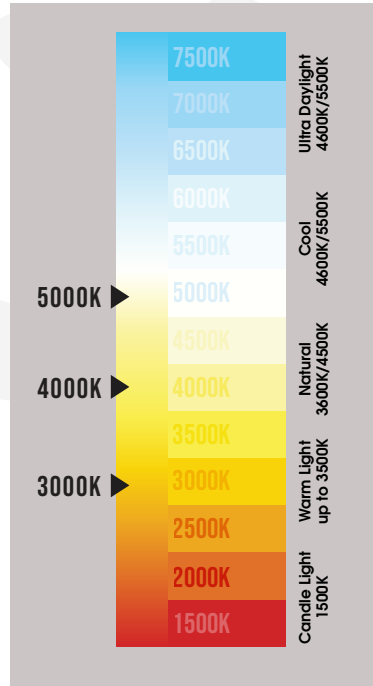
WALL SCONCE



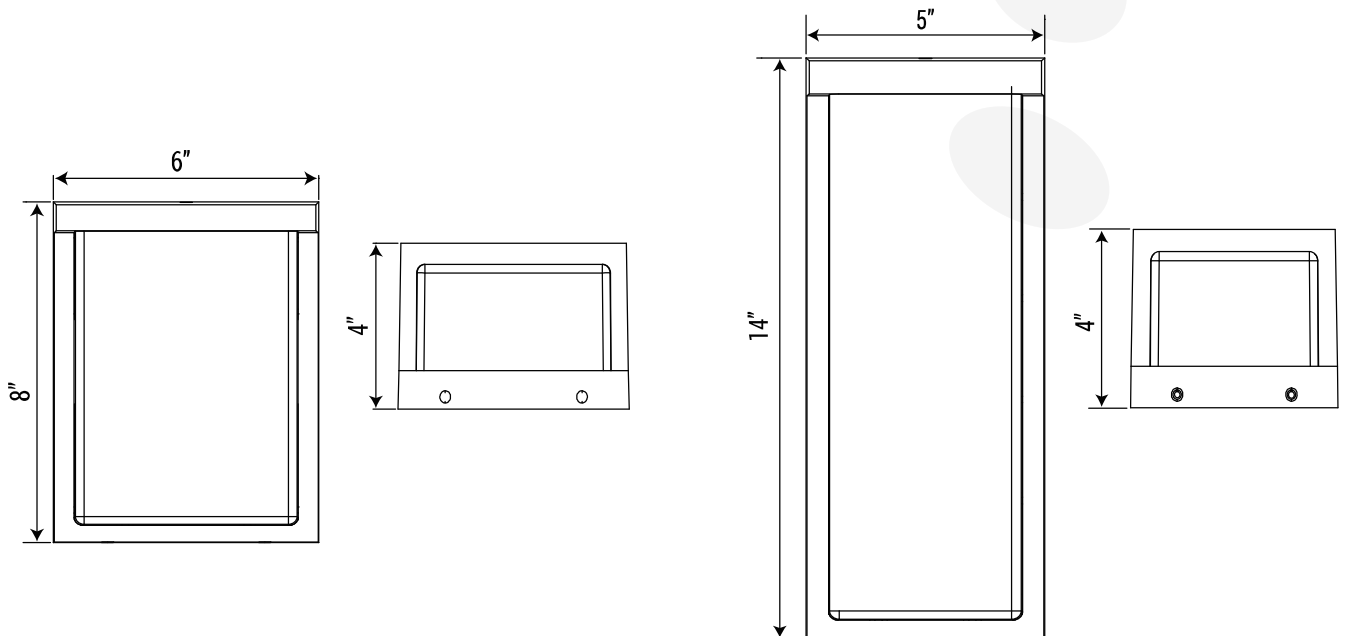
# ALTUS™

## Wall Sconce

### Correlated Color Temperature (CCT)



### Dimensions



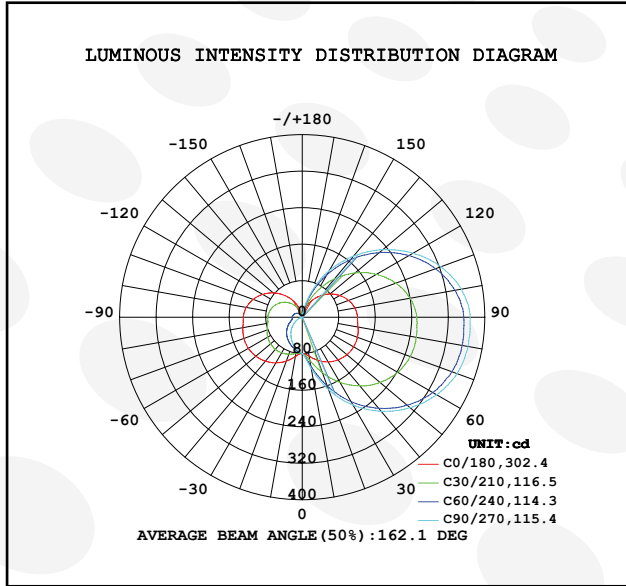
# ALTUS™

## Wall Sconce



SKU: 156258

Photometric Data



AAI Figure

Flux out: 449.2 lm

|     |                 |           |
|-----|-----------------|-----------|
| 1m  | 47.66, 146.61x  | 341.45cm  |
| 2m  | 11.92, 36.651x  | 682.90cm  |
| 3m  | 5.296, 16.291x  | 1024.35cm |
| 4m  | 2.979, 9.1641x  | 1365.80cm |
| 5m  | 1.906, 5.8651x  | 1707.25cm |
| 6m  | 1.324, 4.0731x  | 2048.70cm |
| 7m  | 0.9727, 2.9921x | 2390.14cm |
| 8m  | 0.7447, 2.2911x | 2731.59cm |
| 9m  | 0.5884, 1.8101x | 3073.04cm |
| 10m | 0.4766, 1.4661x | 3414.49cm |

Height      Eavg, Emax      Angle: 119.28deg      Diameter

Note: The Curves indicate the illuminated area and the average illumination when the luminaire is at different distance.

WALL SCONCE

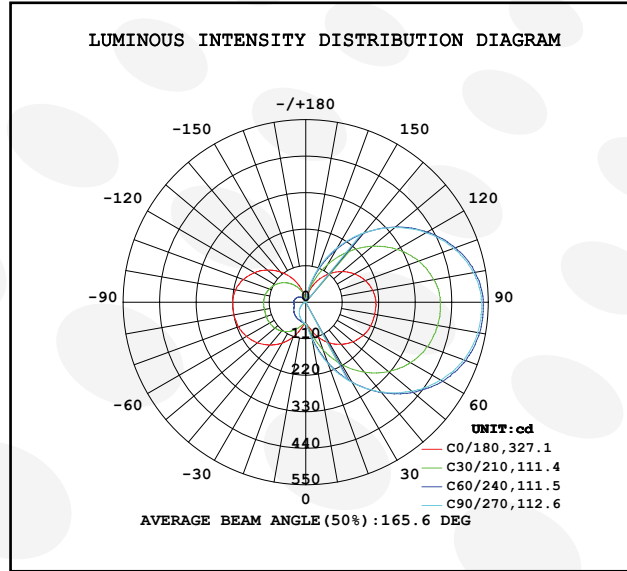


# ALTUS™

## Wall Sconce

SKU: 156259 / 157021

Photometric Data



AAI Figure

Flux out: 584.1 lm

| Height | Eavg, Emax      | Angle: 118.86deg | Diameter  |
|--------|-----------------|------------------|-----------|
| 1m     | 61.97, 183.21x  |                  | 338.61cm  |
| 2m     | 15.49, 45.811x  |                  | 677.22cm  |
| 3m     | 6.886, 20.361x  |                  | 1015.83cm |
| 4m     | 3.873, 11.451x  |                  | 1354.44cm |
| 5m     | 2.479, 7.3301x  |                  | 1693.05cm |
| 6m     | 1.721, 5.0901x  |                  | 2031.66cm |
| 7m     | 1.265, 3.7401x  |                  | 2370.27cm |
| 8m     | 0.9683, 2.8631x |                  | 2708.88cm |
| 9m     | 0.7651, 2.2621x |                  | 3047.48cm |
| 10m    | 0.6197, 1.8321x |                  | 3386.09cm |

Height Eavg, Emax Angle: 118.86deg Diameter

Note: The Curves indicate the illuminated area and the average illumination when the luminaire is at different distance.

# ALTUS™

## Wall Sconce



### Installation

#### WARNING

#### PLEASE READ ALL INSTRUCTIONS BEFORE ATTEMPTING INSTALLATION

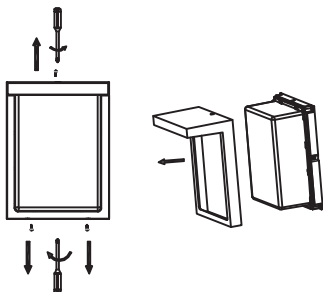
- To prevent personal injury or product damage only licensed electricians should install.
- To avoid electric shock or component damage disconnect power before attempting installation or servicing. Disconnect product and allow cooling prior to servicing.
- Any alteration or modification and/or electrical shock this product is forbidden, as it may cause personal injury, death, property damage and/or product malfunction.
- This luminaire is designed to operate in ambient temperatures ranging from -40oC to 50oC (-40oF to 122oF)
- MIN 75 °C SUPPLY CONDUCTORS.
- CONSULT A QUALIFIED ELECTRICIAN TO ENSURE CORRECT BRANCH CIRCUIT CONDUCTOR.

#### Mounting Bracket

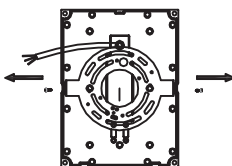


#### Installation Method A

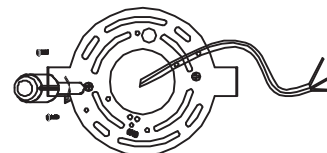
**Step 1:** Remove the 3 screws on the PC frame, one on the top and the other two at the bottom, then take out the PC frame.



**Step 2:** Remove the screws on both sides of the light and take out the installation bracket.



**Step 3:** Screw the bracket onto the wall.

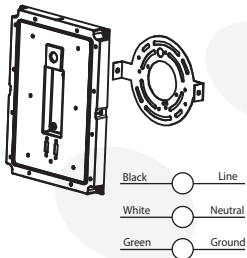




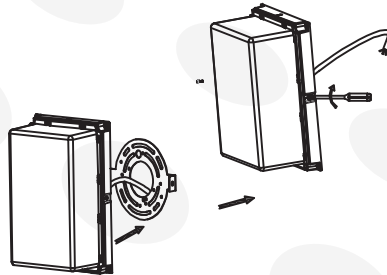
# ALTUS™ Wall Sconce

## Installation

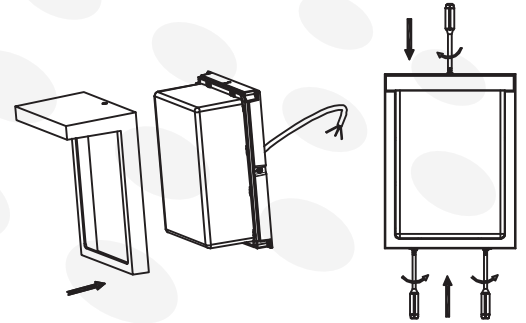
**Step 4:** Connect the light cable to the power input cable.



**Step 5:** Screw and fasten the light on the bracket with screws on both sides of the lights.

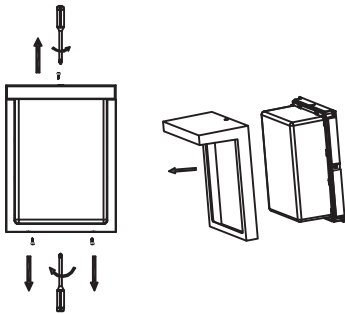


**Step 6:** Screw and fasten the PC frame back to the light with one screw on the top and two screws at the bottom.



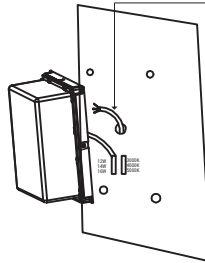
## Installation Method B

**Step 1:** Remove the 3 screws on the PC frame, one on the top and the other two at the bottom, then take out the PC frame.

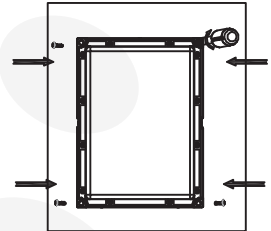


**Step 2:** Connect the light cable to the power input cable.

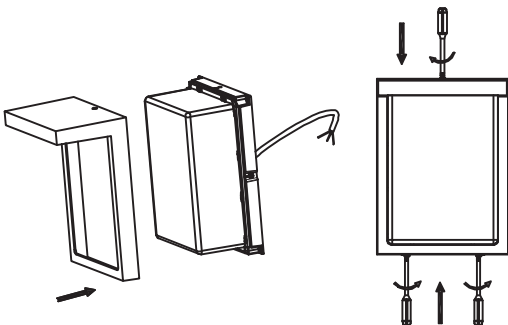
Attention: The screw hole on top of the light is mounted facing to front part of the light.



**Step 3:** Screw and fasten the light to the wall with 4 KA5X12 screws on the 4 corners of the light.



**Step 4:** Screw and fasten the PC frame back to the light with one screw on the top and two screws at the bottom.



# ALTUS™

## Wall Sconce



### Packaging

| SKU    | Box Dimensions           | Qty        | NET Weight | Gross Weight |
|--------|--------------------------|------------|------------|--------------|
| 156258 | 20.2"7 x 13" x 8.85"     | 10 Pcs/Box | 13.22LBS   | 15.21LBS     |
| 156259 | 20.27" x 11.22" x 14.76" | 10 Pcs/Box | 16.75LBS   | 18.30LBS     |
| 157021 | 20.27" x 11.22" x 14.76" | 10 Pcs/Box | 16.75LBS   | 18.30LBS     |

### Application Picture



WALL SCONCE



# ALTUS™

## Wall Sconce

### Application Picture



### Warranty

This product is covered under a 5-year warranty. For complete warranty details, [Click Here.](#)