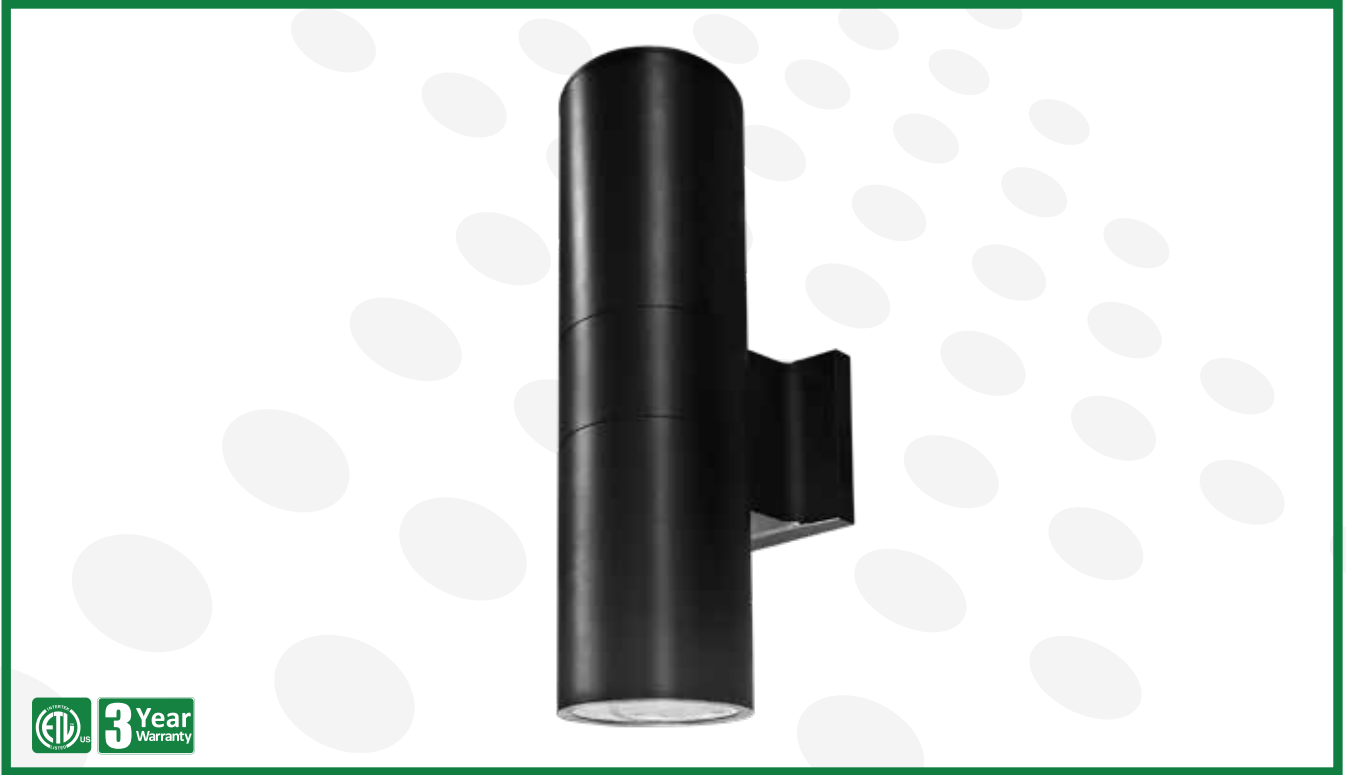




GLINT™

Up & Down Wall Sconce



SKU	Model #
157022	JXL-BD108-R24W-5CCT

Beyond LED Technology's GLINT Smart LED Wall Sconce seamlessly combines stylish design with intelligent features to offer a modern lighting experience. Featuring 24W of lighting, this model is crafted with aluminum + steel housing and a sleek matte black finish, designed to blend functionality and aesthetics. IP65 rated for waterproof and dustproof protection, the GLINT is perfect for both indoor and outdoor applications. Whether you're upgrading your living space, outdoor area, or commercial setting, the GLINT Smart LED Wall Sconce adds modern elegance and enhances any environment. Additionally, it includes a built-in photocell for enhanced energy efficiency.

Product Features

- Up to 100 lm/W
- 24 Watt
- Adj. CCT 2700K/3K/3500K/4K/5K
- Black housing
- Built-in Photocell
- Input Voltage 100-277VAC
- ETL Listed
- 3-year warranty

Up & Down Wall Sconce



SKU	WATT	MAX LUMENS	CCT ADJ.	INPUT VOLTAGE	CRI	SIZE	LIGHT SPREAD	CONSTRUCTION	PHOTOCELL	IP RATING	CERTIFICATIONS
1570022	24W	1800	2700K/3K/ 3500K/4K/5K	100-277V	>80	14"	65°	Aluminum+ Glass	Built-in Photocell	IP65	ETL

SKU: 157022

Specifications

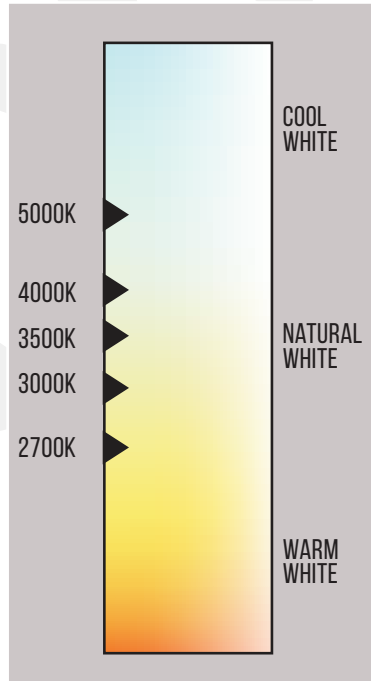
Parameter	Description	Value
General Performance	Model #	JXL-BD108-R24W-5CCT
	Watt	24W
	Max Lumens	1800
	Lumen Efficacy	Up to 75LM/W
	Color Temperature	2700K / 3000K / 3500K / 4000K / 5000K
	CRI (Ra)	≥80
	Light Spread	65°
	Diffuser Type	Glass
Electrical	Input Voltage	100-277Vac
	Frequency	50/60Hz
	Dimming	Triac Dimmable
	Power Factor	>0.9
	Driver Surge Protection	<1000V
	Flicker Percent	<30%
Physical	Operating Temperature	-20°C to 40°C
	Operating Humidity	10% ~ 40%
	Storage Temperature	-20°C to +60°C
	Storage Humidity	10%-90%RH
	LED Brand	Sanan
	LED Type	SMD
	LED QTY	40 Pcs
Construction	Aluminum+Steel	
Qualification	Housing Color	Matt Black
	IP Rating	IP65
	Warranty	3 Years



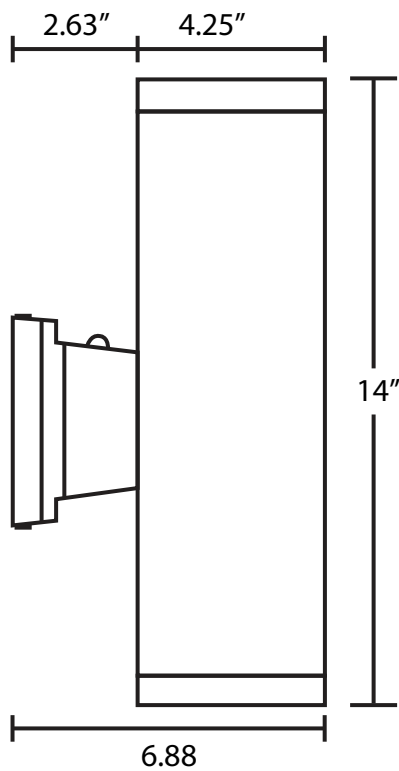
GLINT™

Up & Down Wall Sconce

Correlated Color Temperature (CCT)



Dimensions

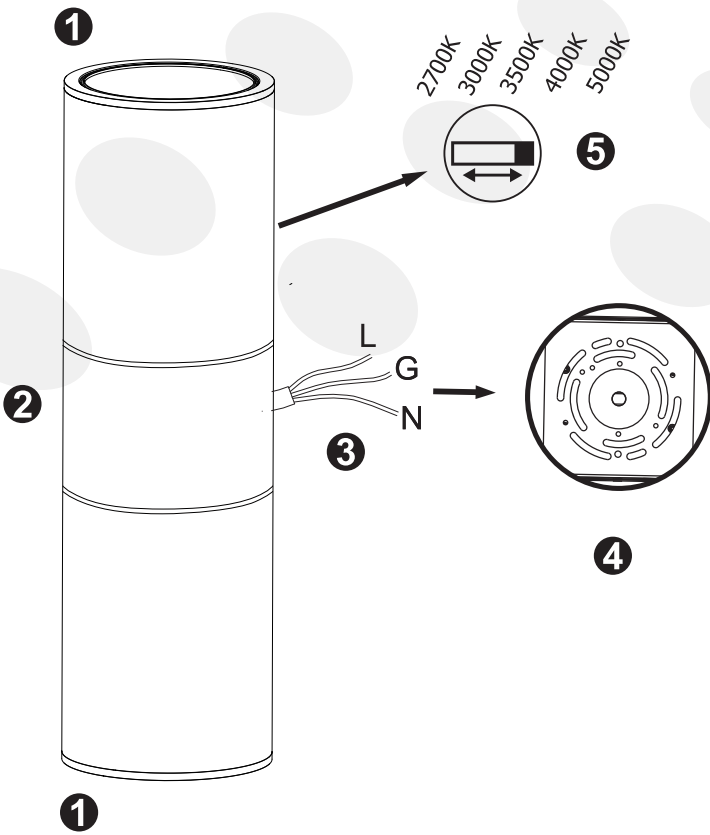


UP & DOWN WALL SCONCE



Installation

IMPORTANT: Read all instructions in order to ensure safety and proper installation. DO NOT operate this product under any conditions other than those for which it is specified. Failure to observe these precautions can lead to electrical shock, product failure, or other problems.



PARTS LIST

- ① LED Chip
- ② LED Fixture
- ③ Wire
- ④ Mounting Plate
- ⑤ CCT adjustable switch

Specification	Watt	Voltage	Length	Width	Height	Equivalent to
14-Inch Up & Down Wall Lamp	24W	100-277V	14"	4.25"	6.88"	180W



GLINT™

Up & Down Wall Sconce

Installation

MAINTENANCE

READ ALL INSTRUCTIONS IN ORDER TO ENSURE SAFETY AND PROPER INSTALLATION.

1. DO NOT operate this product under ANY conditions other than those specified for it. Failure to observe these precautions can lead to electrical shock, product failure or other problems.
2. TURN OFF THE POWER at the electrical panel before installation or maintenance.
3. DO NOT modify this fixture. ANY modifications may render the product unsafe and void the warranty.
4. This product is rated for outdoor use.

Limited Warranty

The warranty applies to the product from the original date of purchase for three (3) years against manufacturing defects. The owner must provide a copy of the original proof of purchase. The manufacturer's obligation under this warranty is limited to repairing or replacing the component.

It is not related in any way to the cost of the connection, the installation of the replacement parts or cost of transport.

PACKAGE CONTENT

- 14-Inch Up and Down Wall Lamp x 1
- Wire Connectors x 3
- Screws x 4
- Mounting plate x 1

Installation Guide

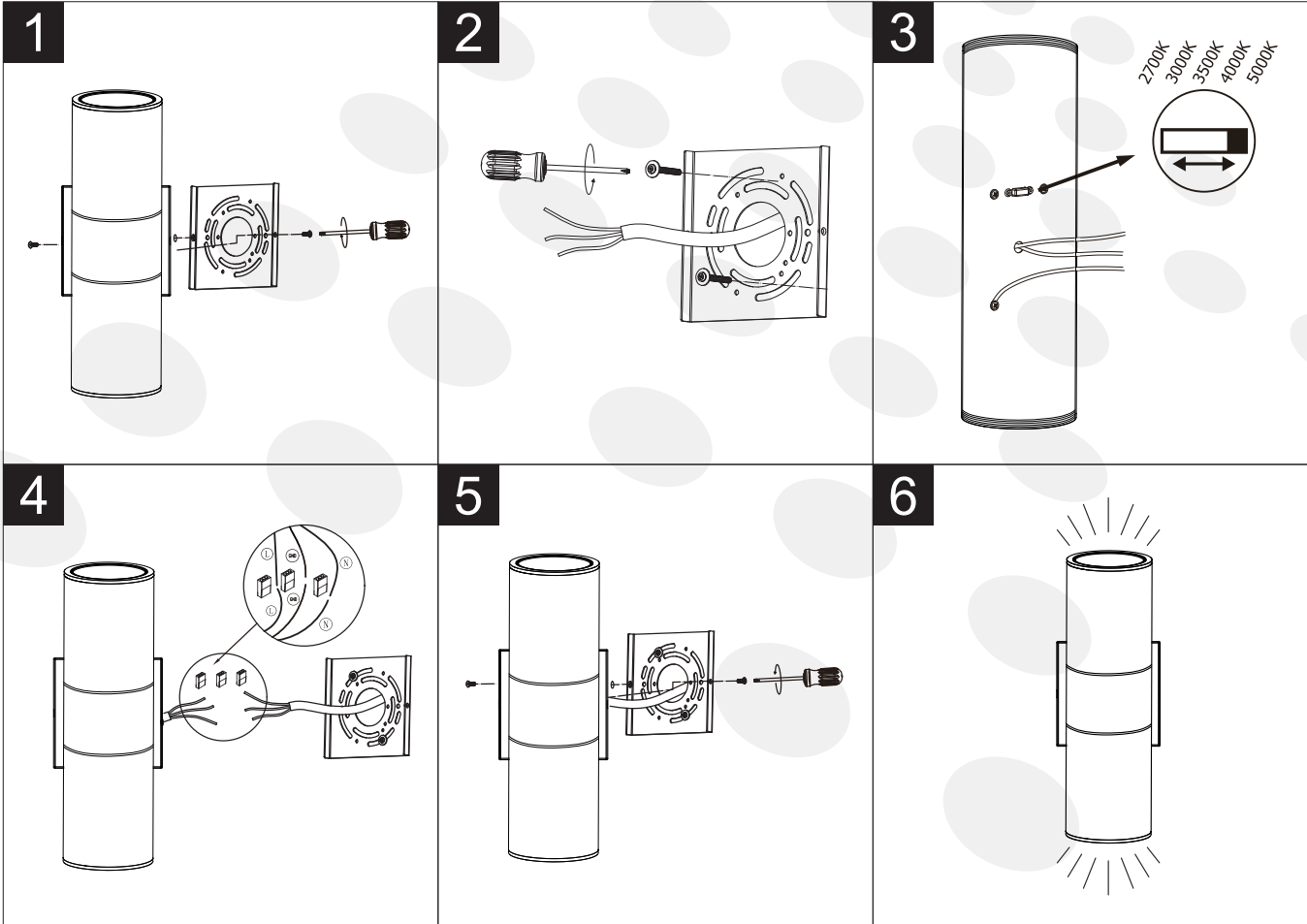
WARNING

Turn power OFF from electrical panel before installation or maintenance.

1. Take off the mounting bracket from the light fixture
2. Attached the mounting bracket to the J-box.
3. Adjust the switch to select the color temperature 2700K - 3000K - 3500K - 4000K - 5000K
4. Use push in wire connectors to connect the wires
5. Fix the light fixture to the mounting bracket by 2 screws on the side
6. Installation is done.



Installation



UP & DOWN WALL SCONCE

Packaging

SKU	Box Dimension	Qty	Net Weight	Gross Weight
157022	22.04" x 15.59" x 15.86"	8 Pcs/Box		



GLINT™

Up & Down Wall Sconce

Application Picture



Warranty

This product is covered under a 3-year warranty. For complete warranty details, [Click Here.](#)

UP & DOWN WALL SCONCE