



ELVA™

Up & Down Wall Sconce



SKU	Model #
157028	JXL-BD90-R18W-RGBCW

Beyond LED Technology's ELVA Smart LED Wall Sconce seamlessly combines stylish design with intelligent features to offer a modern lighting experience. Featuring 18W of RGBCW lighting, this model offers vibrant RGB colors and tunable white (CW) lighting. It supports WiFi & Bluetooth connectivity, allowing for easy customization and control of your lighting environment via the Tuya app or voice commands with Google Assistant. Crafted with aluminum + steel housing and a sleek matte black finish, the ELVA is designed to blend functionality and aesthetics. IP65 rated for waterproof and dustproof protection, this smart wall sconce is perfect for both indoor and outdoor applications. Whether you're upgrading your living space, outdoor area, or commercial setting, the ELVA Smart LED Wall Sconce adds modern elegance and enhances any environment.

Product Features

- Up to 83 lm/W
- Adjustable CCT
- RGB + tunable white (CW)
- WiFi & Bluetooth connectivity
- Black housing
- Input Voltage 100-277VAC
- ETL Listed
- 3-year warranty

Up & Down Wall Sconce



SKU	WATT	MAX LUMENS	CCT ADJ.	INPUT VOLTAGE	CRI	SIZE	LIGHT SPREAD	CONSTRUCTION	PHOTOCELL	CONNECTIVITY	IP RATING	CERTIFICATIONS
157028	18W	1500	RGBCW	100-277V	>82	12"	65°	Aluminum+ Steel	N/A	WIFI & Bluetooth	IP65	ETL

SKU: 157028 Specifications

Parameter	Description	Value
General Performance	Model #	JXL-BD90-R18W-RGBCW
	Watt	18W
	Max Lumens	1500
	Lumen Efficacy	Up to 83LM/W
	Color Temperature	RGBCW
	CRI (Ra)	≥80
	Light Spread	65°
	Diffuser Type	Glass
Electrical	Input Voltage	100-277Vac
	Frequency	50/60Hz
	Dimming	APP Dimmable
	Power Factor	>0.9
	Driver Surge Protection	<1000V
	Flicker Percent	<30%
Physical	Operating Temperature	-20°C to 40°C
	Operating Humidity	10%-40%
	Storage Temperature	-20°C to 60°C
	Storage Humidity	10% - 90%RH
	LED Brand	San'an
	LED Type	SMD
	LED QTY	48 Pcs
Construction	Aluminum+Steel	
Qualification	Housing Color	Matt Black
	IP Rating	IP65
	Warranty	3 Years

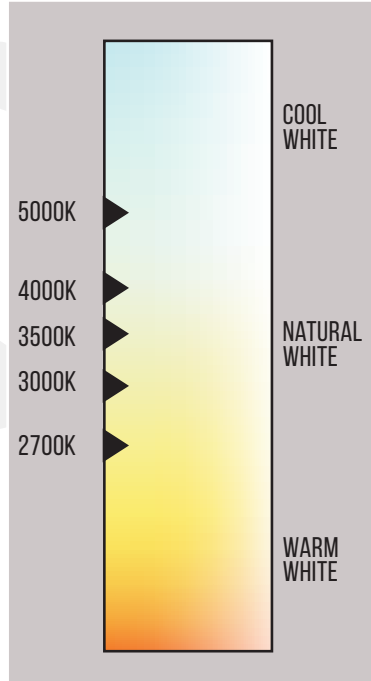
UP & DOWN WALL SCONCE



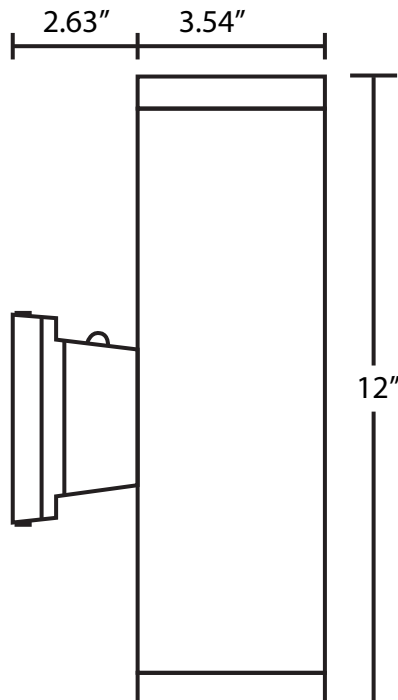
ELVA™

Up & Down Wall Sconce

Correlated Color Temperature (CCT)



Dimensions

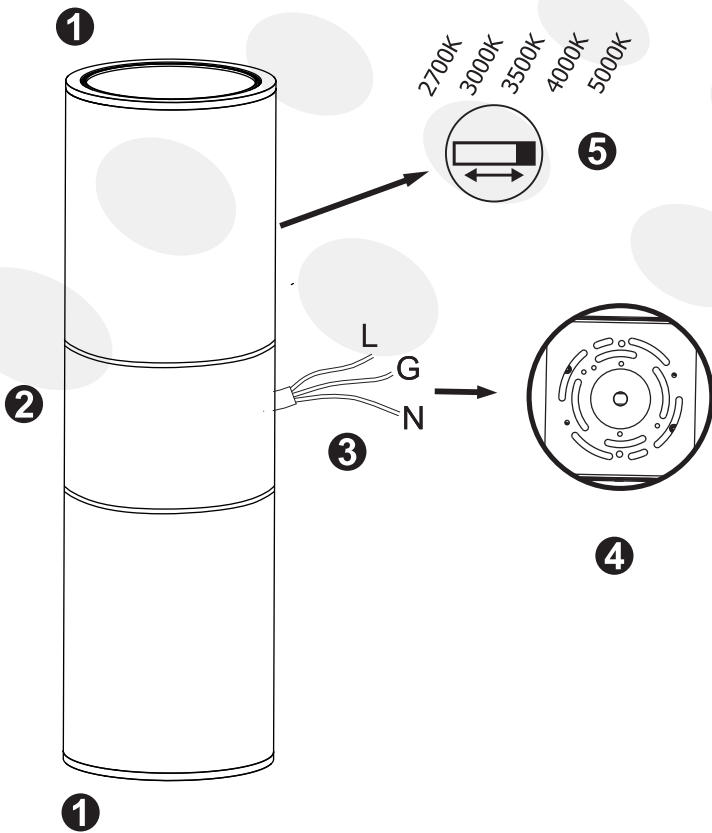


UP & DOWN WALL SCONCE



Installation

IMPORTANT: Read all instructions in order to ensure safety and proper installation. DO NOT operate this product under any conditions other than those for which it is specified. Failure to observe these precautions can lead to electrical shock, product failure, or other problems.



PARTS LIST

- ① LED Chip
- ② LED Fixture
- ③ Wire
- ④ Mounting Plate
- ⑤ CCT adjustable switch

Specification	Watt	Voltage	Length	Width	Height	Equivalent to
12-Inch Up & Down Wall Lamp	18W	100-277V	12"	3.54"	5.98"	180W



ELVA™

Up & Down Wall Sconce

Installation

BLUETOOTH



WIFI



Controlled Via
Tuya Smart APP

Works With
Google Assistant

Works With
Amazon Alexa

1. Download the "Tuya Smart" or " Smart Life" from Apple Store or Google Store, register an account and log in.
2. Turn on Bluetooth or Wifi on your phone.
3. (Open the APP to connect the light, Click "+" in the upper right corner- Lighting -Lighting Source (BLE + WIFI).
4. Switch ON/Off the light for 3 times continuously. light flashes, you can find it on APP and connect it. failed, please try again above steps.
5. Within 30 seconds, it will be connected. Start to enjoy the scene.

WARRANTY

This product is free from defects in materials and workmanship for a period of 3 years from the day of purchase from the day of purchase. If the product has been misused, damaged by accident or in any other way of improper use, this warranty becomes void.

PACKAGE CONTENT

- 12-Inch Wall Lamp x 1
- Wire Connectors x 3
- Screws x 4
- Mounting plate x 1

Installation Guide

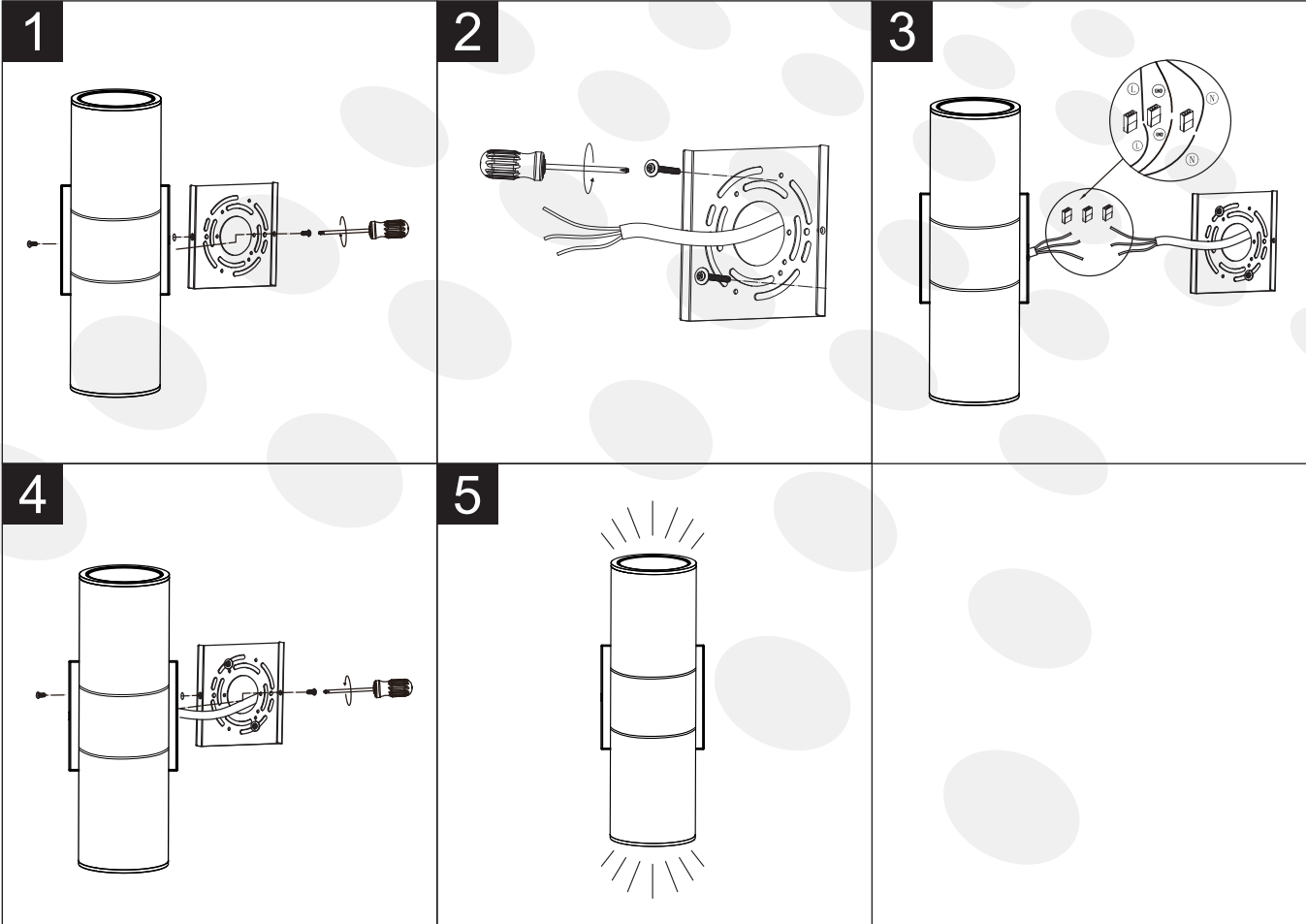
WARNING

Turn power OFF from electrical panel before installation or maintenance.

1. Take off the mounting bracket from the light fixture
2. Attached the mounting bracket to the J-box
3. Use push in wire connectors to connect the wires
4. Fix the light fixture to the mounting bracket by 2 screws on the side
5. Installation is done



Installation



Packaging

SKU	Box Dimension	Qty	Net Weight	Gross Weight
157028	20.66" x 19.09" x 13.70"	12 Pcs/Box		



ELVA™

Up & Down Wall Sconce

Application Picture



Warranty

This product is covered under a 3-year warranty. For complete warranty details, [Click Here.](#)

UP & DOWN WALL SCONCE