

LUMA MAX™

Area Light



SKU #	DLC Model #
157031-1	SB10-24-500L-D5C3T3

Beyond LED Technology's Luma Max Area Light is a powerful, energy-efficient lighting solution designed for a wide range of outdoor applications. With adjustable wattages from 300W to 500W and adjustable color temperatures of 3000K, 4000K and 5000K, the Luma Max provides customizable lighting to meet specific brightness and ambiance needs. This LED area light delivers up to 80,000 lumens, offering superior illumination while reducing energy consumption compared to traditional lighting solutions. The universal bracket ensures quick and easy installation, making the Luma Max perfect for a variety of settings, including parking lots, loading docks and general outdoor lighting. Additionally, the optional screw-in photocell provides automatic on/off functionality based on ambient light levels, further enhancing energy efficiency and convenience. The Luma Max is the ideal choice for outdoor lighting projects requiring high-performance, adjustable and reliable lighting.

Product Features

- Up to 160 lm/W
- Adjustable wattages
- Adjustable CCT
- Optional screw-in photocell
- 0-10V Dimmable
- Built-in 10KV surge protector
- 1-pin Sensor Base
- Universal bracket Included
- Bronze Housing
- Input voltage 120-277VAC
- UL & DLC listed
- 5-year warranty

LUMA MAX™

Area Light



SKU	ADJ. WATT	MAX LUMENS	ADJ. CCT	INPUT VOLTAGE	CRI	DISTRIBUTION PATTERN	CONSTRUCTION	DIMMING	IP RATING	CERTIFICATIONS
157031-1	300W/350W/400W/ 450W/500W	80000	3K/4K/5K	120-277V	>80	Type III	Die-cast Aluminum+PC	0-10V	IP65	UL & DLC

SKU: 157031-1

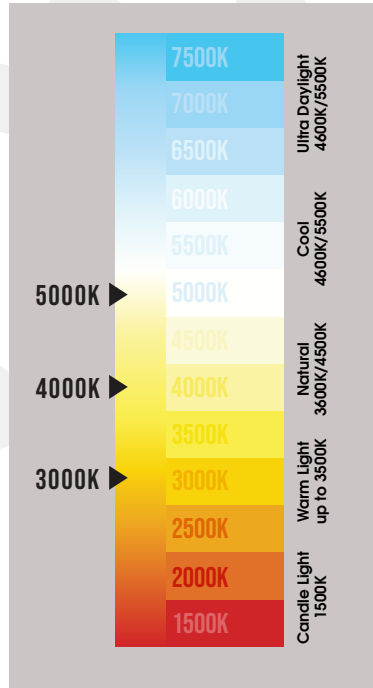
Specifications

Parameter	Description	Value
General Performance	Model #	SB10-24-500L-D5C3T3
	Adjustable Watt	300W / 350W / 400W / 450W / 500W
	Max Lumens	80000
	Lumen Efficacy	Up to 160LM/W
	Color Temperature	3000K / 4000K / 5000K
	CRI (Ra)	>80
	Diffuser Type	N/A
	Light Spread	Type III
Electrical	Input Voltage	120-277Vac
	Frequency	50/60Hz
	Dimming	0-10V Dimmable
	PF	<0.90
	Flicker Percent	Flicker Free
	Driver Brand	Sosen
	Driver Model	SS-240NH-E260BHBP
Physical	Surge Protector	L/N 6KV, L/N-P 6KV
	THD	≤20%
	Operating Temperature	-40°C TO 50°C
	Storage Temperature	-40°C TO 70°C
	Operating Humidity	10%RH-90%RH
	Storage Humidity	5%RH-95%RH
	LED Brand	Lumileds
	LED Type	SMD2835
	LED QTY	1200 Pcs
Construction	Die-cast aluminum	
Qualification	Housing Color	Bronze
	IP Rating	IP65
	Warranty	5 Years

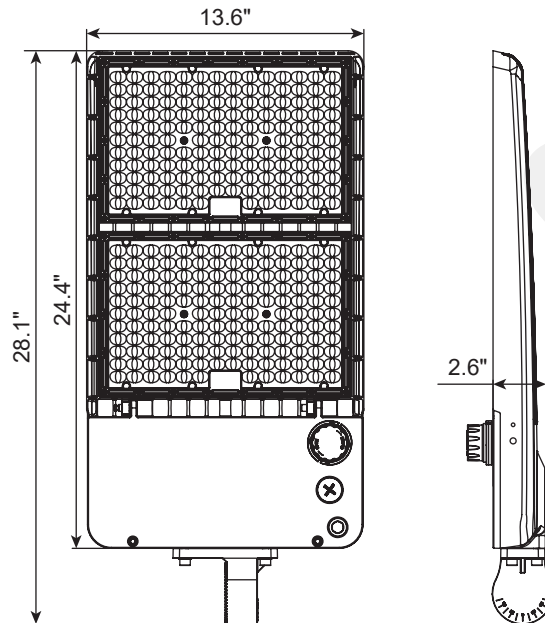
LUMA MAX™

Area Light

Correlated Color Temperature (CCT)



Product Dimension



LUMA MAX™

Area Light



Dimensions

500W

Die-cast aluminum housing
provides great heat dissipation

Dusk to dawn Photocell



T3 polycarbonate lens



Plug-in/Zhaga sensor



3CCT Selectable
5 Wattage Selectable

AREA LIGHT



LUMA MAX™

Area Light

Installation

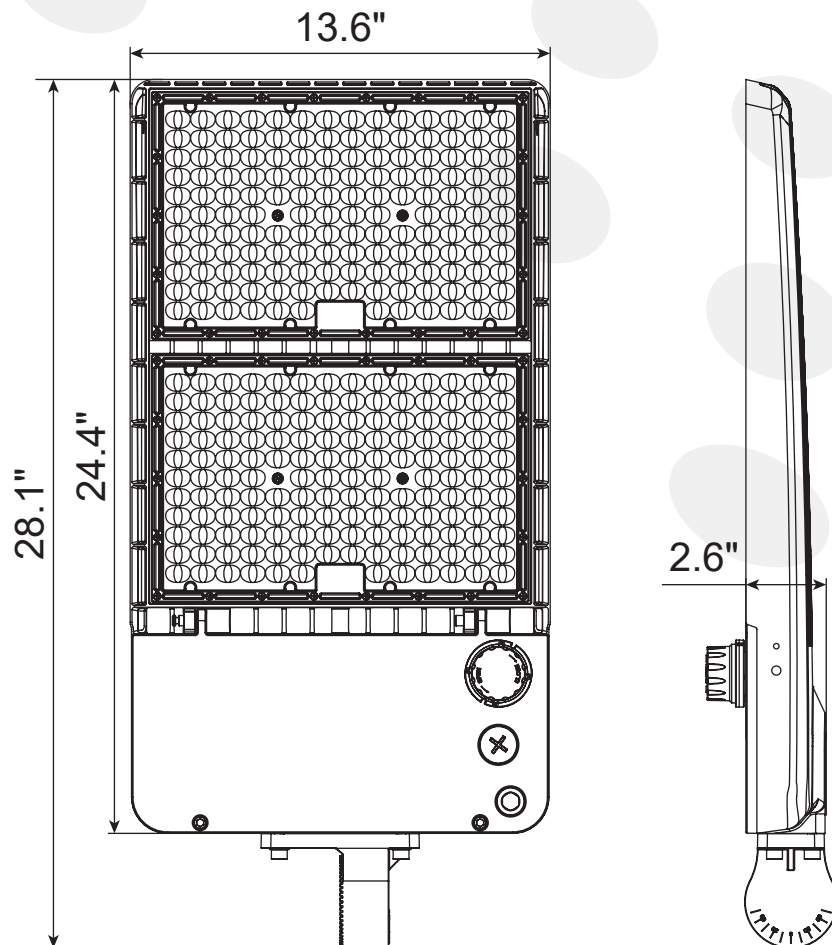
SAFETY INSTRUCTIONS

READ CAREFULLY BEFORE INSTALLING FIXTURE. RETAIN THESE INSTRUCTIONS FOR FUTURE REFERENCE.

WARNING: TURN OFF POWER BEFORE INSTALLATION.

1. Review the diagrams before beginning, and make sure the fixture is grounded properly.
2. This fixture has to be installed or maintained in accordance with the application code by a professional person who is familiar with the construction and operation of the product and the hazards involved.
3. This fixture must be wired in accordance with the international electrical code and applicable local codes and ordinances.
4. Proper grounding is required to ensure personal safety. Carefully observe the correct grounding procedure under the installation section.
5. Check that the voltage is compatible with the fixture driver, and use approved connectors for all electrical connections.

DIMENSIONAL DRAWING:



LUMA MAX™

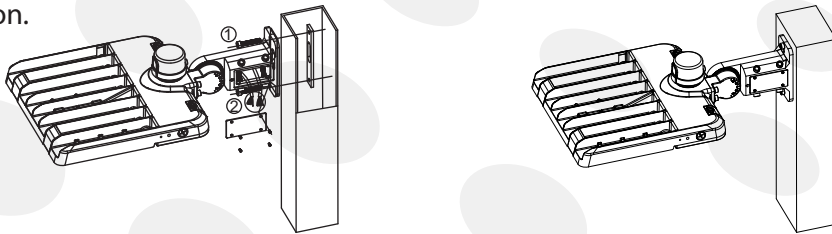
Area Light



Installation

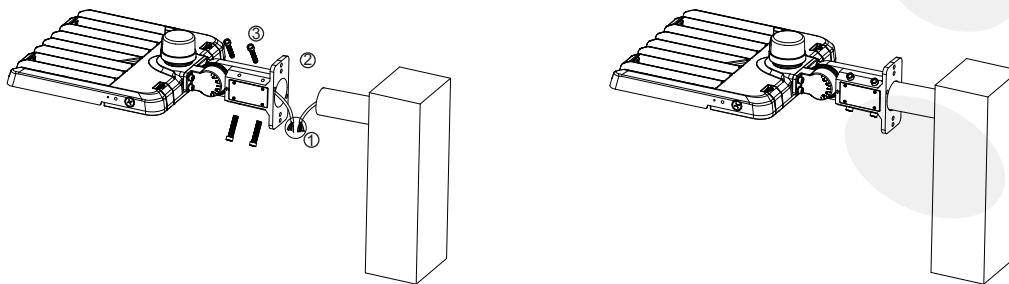
UNIVERSAL BRACKET MOUNTING ON SQUARE/ROUND POLE INSTRUCTIONS

1. Remove the bracket mounting screws on the fixture, open the side lid of the bracket, and pass the wires through the bracket. Install the bracket on the fixture.
2. Fix the universal bracket to the square pole with the bolt, pull all wires into the junction box, and connect the wires correctly.
3. Put the connected wires into the junction box, cover the side lid, and tighten it.
4. Same as round pole installation, please remember to use the adapting plate for round pole installation.



UNIVERSAL BRACKET MOUNTING INSERT ON ROUND POLE INSTRUCTIONS

1. Remove the spare parts from the universal bracket
2. Loosen the locking bolts on the universal bracket, connect the wires correctly, and pull the wires into the pole
3. Place the bracket into the pole and lock the four bolts





LUMA MAX™

Area Light

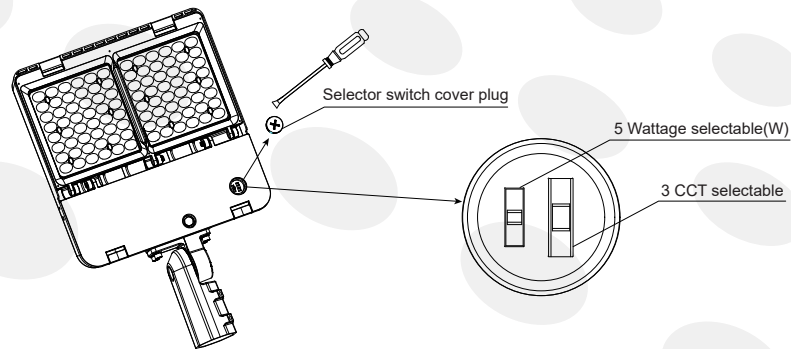
Installation

FUNCTION ADJUSTMENT

Follow the instructions below to change fixture Color Temperature (CCT), Power (W) option from the factory default settings before installation:

Factory Default Settings: Max wattage, 5000K.

1. Locate the Selector Switches on the front of the Housing as shown in the figure and remove the Selector Switch Cover Plug.
2. Select Color Temperature (CCT), Power (W) position by sliding the respective switch to the desired value.
3. Replace the Selector Switch Cover Plug. Tighten the plug to prevent water.



MAINTENANCE AND CLEANING

WARNING: TURN OFF POWER BEFORE MAINTENANCE AND CLEANING.

1. Before touching the fixture, make sure the fixture is cooling.
2. Do not clean or maintain while the fixture is energized.
3. Clean the lens & fixture with a non-abrasive glass cleaning solution.
4. Do not open the fixture to clean and touch LED chips.

CONNECTION DIAGRAM

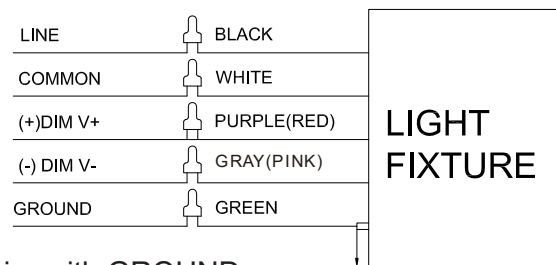
WARNING: TURN OFF POWER BEFORE CONNECTING WIRES.

Black wire connects to L, White wire connects to N, Green wire connects to GROUND.

For 0-10V dimming, the wiring direction is as below:

1. Turn off the power.
2. Connect the BLACK wire with the LINE.
3. Connect the WHITE wire with the COMMON.
4. Connect the GREEN wire with the GROUND.
5. Connect the PURPLE wire with the (V+) DIM.
6. Connect the PINK wire with the (V-) DIM.

CAUTION: DO NOT connect the PINK (-) DIM V - wire with GROUND.



LUMA MAX™

Area Light



Packaging

SKU#	Box Dimension	Qty	Net Weight	Gross Weight
157031-1	35.27" x 17.71" x 5.11"	1 PC/Box	20.3LBS	23.0LBS

Application Image



AREA LIGHT

Warranty

This product is covered under a 5-year warranty. For complete warranty details, [Click Here.](#)