



JINBO™ LED Drivers

LED DRIVERS



SKU	Model #
157041	JLV-24100PA-UF
157040	JLV-12100PA-UF

Product Features

- Constant voltage design
- Plastic housing, LPV standard
- High transfer efficiency
- Stable constant voltage output
- Super-thin: 0.70" height
- Working temperature: -25°C~+70°C
- IP65, for both indoor & outdoor
- 100% full loading, 100% burn-in tested
- Overload/short circuit protection
- Efficiency (Typ.) 84%

SKU	WATT	WORKING TEMP	ENVIRONMENT	MAX. OUTPUT CURRENT	INPUT VOLTAGE	OUTPUT VOLTAGE	EFFICIENCY	IP RATING	CERTIFICATIONS
157041	90W	-25°C~70°C	Indoor & Outdoor	3.75A	100-130V	24V DC	88%	IP65	UL
157040	100W	-25°C~70°C	Indoor & Outdoor	8.33A	100-130V	12V DC	88%	IP65	UL

JINBO™

LED Drivers



Specifications

Parameter	Description	Value	
Output	Model #.	JLV-12100PA-UF	JLV-24100PA-UF
	DC Voltage	12V	24V
	Rated Current	8.33A	3.75A
	Current range		
	Wattage	100W	90W
	Ripple & Noise (Max.)	<200mVp-p	<200mVp-p
	Voltage Tolerance Note3		
	Line Regulation	1%	1%
	Load Regulation	1%	1%
	Output groups		
	Setup, Rise Time	1500ms/120VAC	1500ms/120VAC
Input	Holding Time (Typ.)	16mS	
	Voltage Range Note 2	90-140V	
	Input Voltage	100-130V AC	
	Frequency Range	50/60Hz	
	Power Factor (Typ.)		
	Efficiency (Typ.)	84%	
	AC Input Current	120V:2.0A max.	
	Inrush Current (Typ.)	75A	
Protection	Leakage current	5mA/230VAC	
	Over Load	Yes, cut-off mode, output shuts down if over-loaded	
Enviroment	Short Circuit	Yes, hiccup mode, recovers automatically after fault condition is removed	
	Over voltage	Yes	
	Over Temperature	No	
	Working Temperature	-25°C~70°C	
	Working Humidity	15~85%RH	
	Storage Temperature	-40°C~75°C	
	Storage Humidity	15~95%RH	
	Temperature Coefficient	/	
Vibration	/		



JINBO™

LED Drivers

Safe & EMC	Safety Standards	EN 61347-2-13
	Withstand voltage	I/P-O/P: 3000VAC
	Isolation Resistance	I/P-O/P: >100M Ohms / 500VDC/25°C / 70%RH
	EMC Emission	/
	EMC Immunity	/
Others	MTBF	/
	Product Dimension	8.66" x 2.68" x 0.71"
	Product Packaging	14.76" x 11" x 9.84"

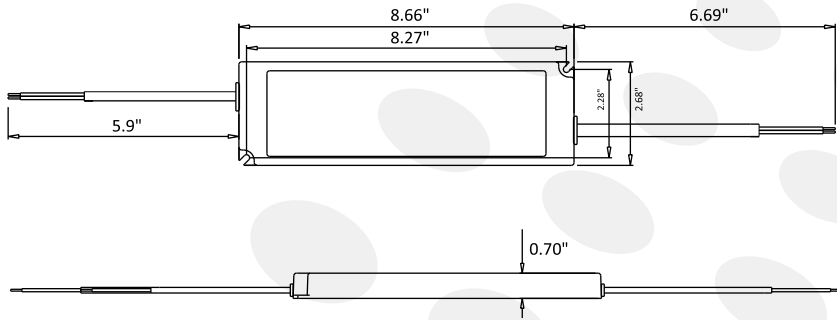
Installation Tips

- Please identify the power supply's input and output before installation.
- Ensure correct output + & - wire connection.
Power on after wire connection is done.
- To avoid voltage drop and loading capacity wasting on the output extension wire, please install the power supply to the loading as near as possible, if must use long extension wires, thicker wires and less loading wattage is required.
- The power supply to be installed at good ventilation and cooling environment.

JINBO™ LED Drivers



Mechanical Specification

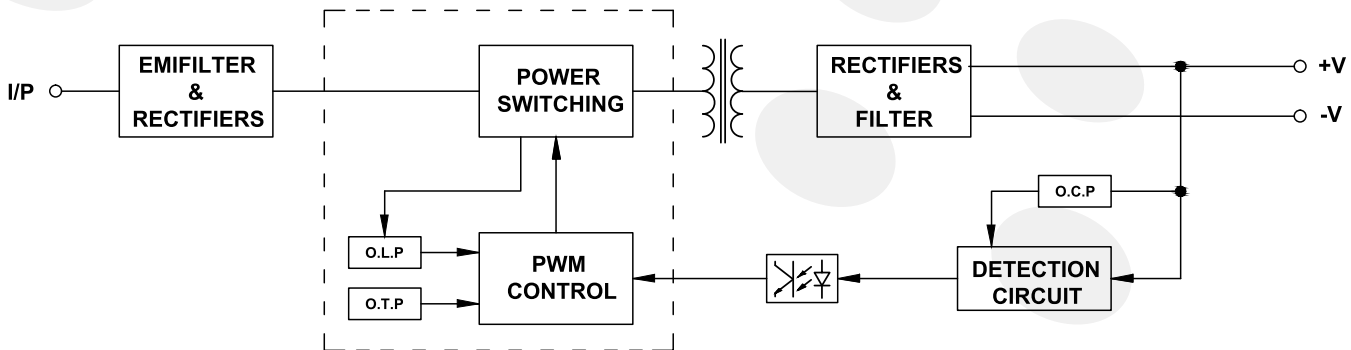


Input: 2x18 AWG, wire, Black L, White N
5.9"(150mm) length

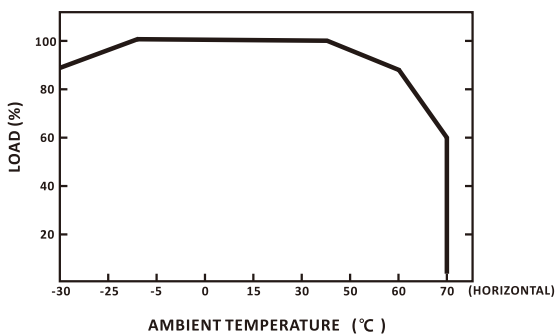
Output: 2x16 AWG wire, Red +, Black -
6.69"(170mm) length

Housing: Plastic (ABS)

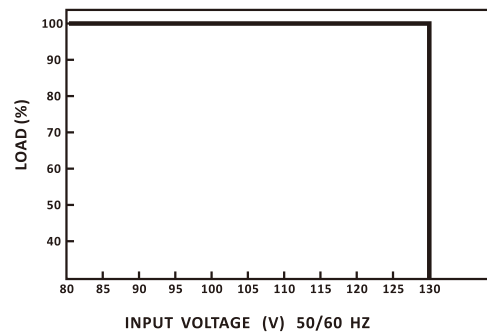
Block Diagram



Derating Curve



Static Characteristics





JINBO™

LED Drivers

Packaging

SKU #	Box Type	Box Dimension	Qty	Net Weight	Gross Weight
157041	Inner Box	11" x 3" x 1.5"	1Pc/Box	0.77LBS	0.80LBS
	Outer Box	14.76" x 11" x 9.84"	30 Pcs/Box	23.10LBS	25.34LBS
157040	Inner Box	11" x 3" x 1.5"	1Pc/Box	0.77LBS	0.80LBS
	Outer Box	14.76" x 11" x 9.84"	30 Pcs/Box	23.10LBS	25.34LBS

Warranty

This product is covered under a 3-year warranty. For complete warranty details, [Click Here.](#)