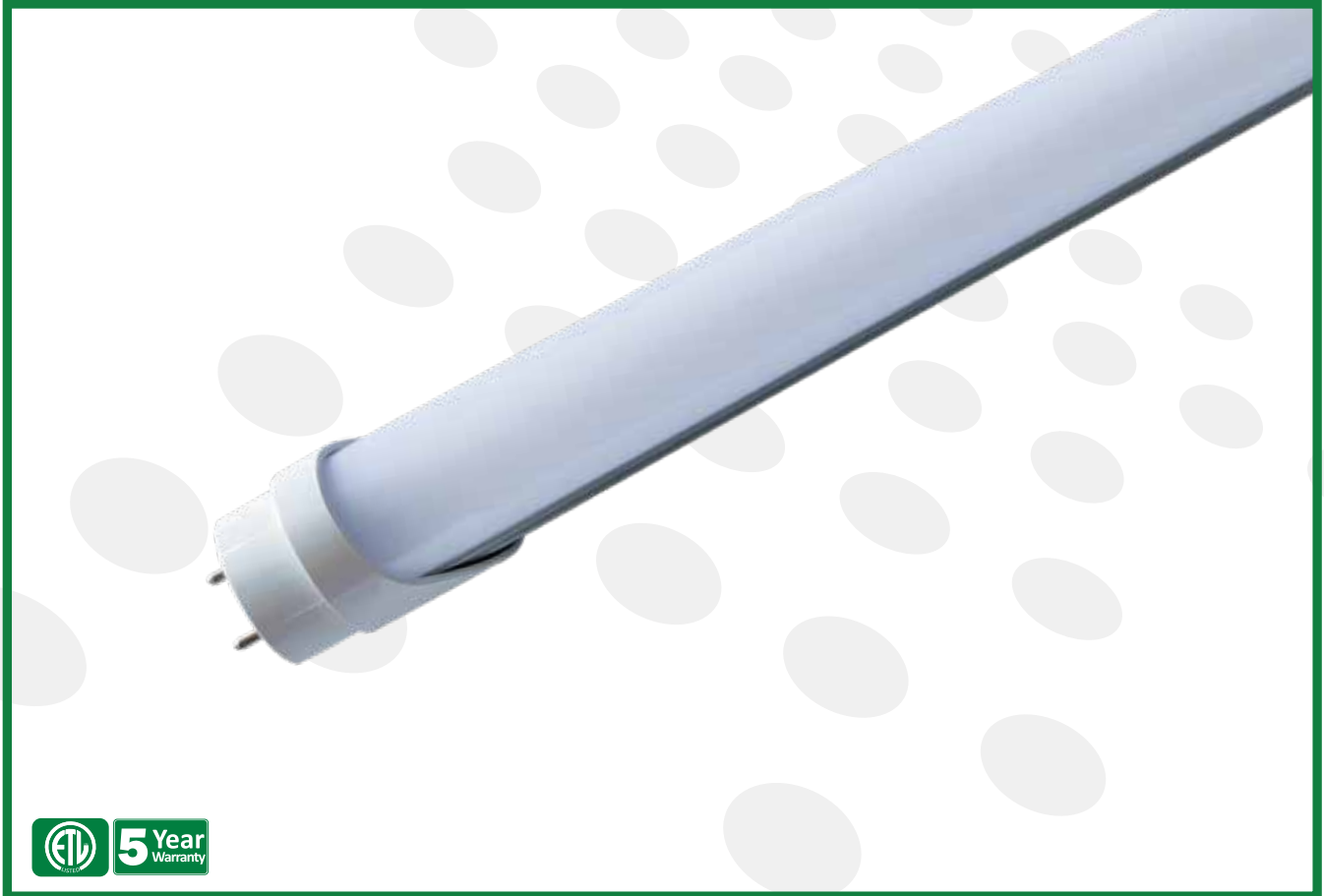




CHINET™

2ND GEN

LED T8 Tube



SKU #	DLC Model #
157060	ZS-T8-20P4FT-AB-FMM

Beyond LED Technology's new and revolutionary Chinet 2nd Gen LED T8 Tube – 4' Aluminum offers enhanced energy efficiency and a significantly longer lifespan compared to traditional fluorescent lamps. This high-quality LED tube is a direct replacement for conventional fluorescent lamps in existing fixtures. Featuring a Type A+B design, it can operate with or without a ballast and supports both single-ended and double-ended power input, making it a flexible and efficient lighting solution for a wide range of applications.

Product Features

- Up to 140 lm/W
- Adjustable Watt
- Adjustable CCT
- Alu-PC T8 tube with good heat dissipation
- Single & Double End Power
- Input Voltage 100-277VAC
- ETL Listed
- 5 Years warranty

CHINET™

2ND GEN

LED T8 Tube



SKU	Adj. Watt	MAX LUMENS	ADJ. CCT	INPUT VOLTAGE	CRI	SIZE	LIGHT SPREAD	LENS	CONSTRUCTION	CERTIFICATIONS
157060	10W/12W/15W/18W/20W/22W	3080	3K/3500K/4K/5K/6K/6500K	100-277V	>80	4'	120°	Frosted	Aluminum+PC	ETL

SKU: 157060 Specifications

Parameter	Description	Value
General Performance	Model #.	ZS-T8-20P4FT-AB-FMM
	Adj. Watt	10W/12W/15W/18W/20W/22W
	Max Lumens	3080
	Lumen Efficacy	Up to 140LM/W
	Color Temperature	3000K/3500K/4000K/5000K/6000K/6500K
	CRI (Ra)	>80
	Light Spread	120°
	Diffuser Type	Frosted Lens
Electrical	Input Voltage	100-277Vac
	Frequency	50/60Hz
	Dimming	N/A
	Power Factor	≥0.95
	CRI	>80
Physical	Operating Temperature	-20°C - 60°C
	Operating Humidity	/
	Storage Temperature	/
	Storage Humidity	/
	LED Brand	San'an
	LED Type	SMD2835
	LED QTY	/
Construction	Aluminum+PC	
Qualification	Housing Color	White
	IP Rating	IP22
	Warranty	5 Years

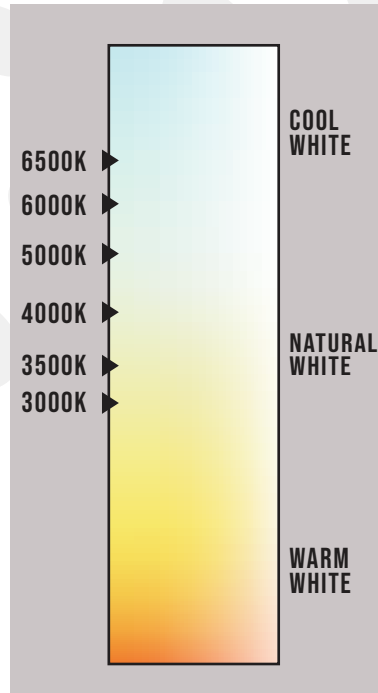
LED T8 TUBE



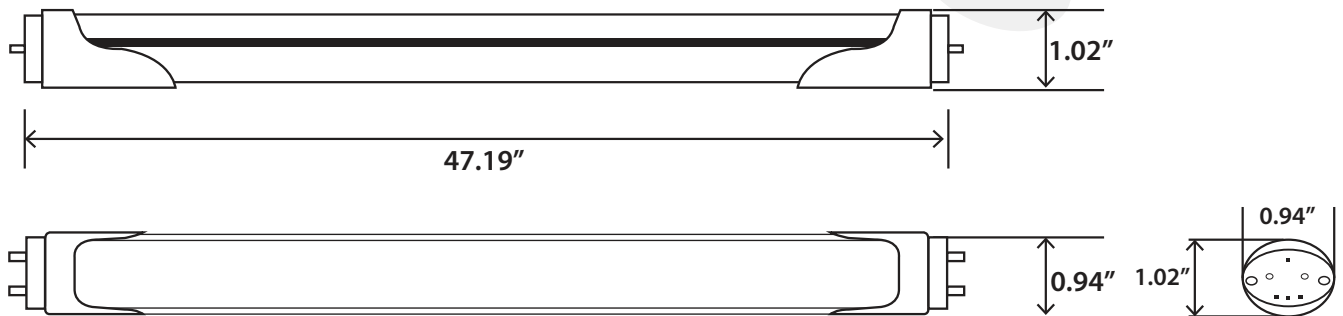
CHINET™

2ND GEN LED T8 Tube

Correlated Color Temperature (CCT)



Correlated Color Temperature (CCT)

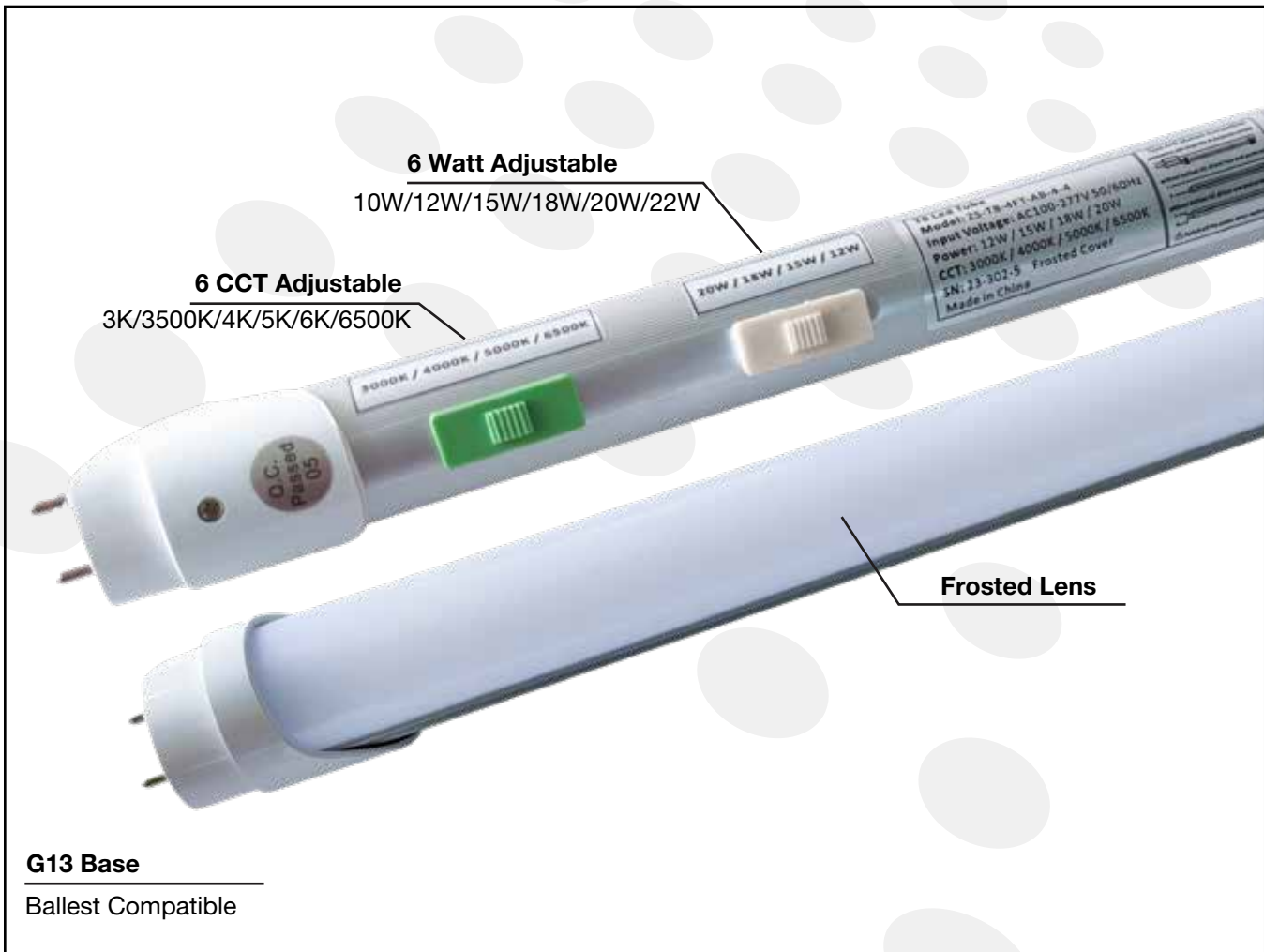


CHINET™

2ND GEN
LED T8 Tube



Product Appearance



LED T8 TUBE



CHINET™

2ND GEN

LED T8 Tube

Photometric Data

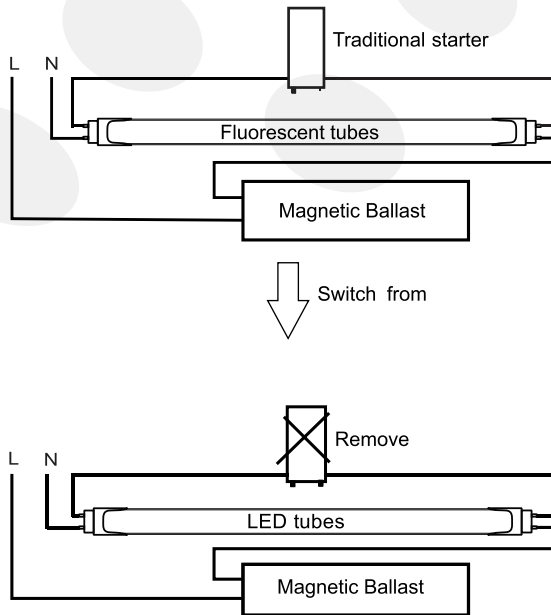
1.Replacement for magnetic ballast & electronic ballast fluorescent lamps(TypeA)

Installation steps

Magnetic ballast

professional installation is required

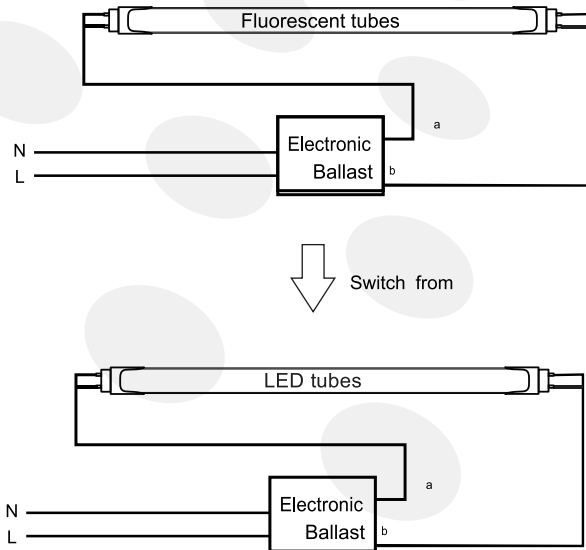
- 1:Turn off power before installation
- 2:Remove the traditional starter
- 3:Replace traditional fluorescent tube with LED tube
- 4:Switch on electricity and check for lamp starting



Electronic ballast

professional installation is required

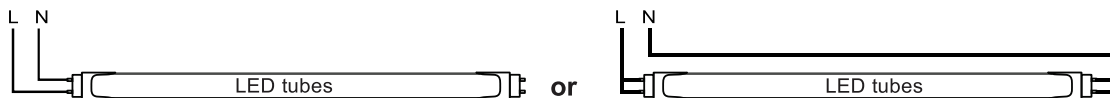
- 1:Turn off power before installation
- 2:Replace traditional fluorescent tube with LED tube
- 3:Switch on electricity and check for lamp starting



2.Replacement for bypass ballast fluorescent lamps(TypeB)

Installation Steps

- 1 : Turn off power before installation
- 2 : Cut the wire and bypass ballast
- 3 : Hookup line wires to Tombstone wires as a direct power
- 4 : Stick the warning label
- 5 : Switch on electricity and check for lamp starting



Warning: All fixture have to change with new tombstone when apply for plug and play tube.

CHINET™

2ND GEN

LED T8 Tube



Installation

Warnings

USE ONLY FIXED LUMINAIRE WITH MIN. LAMP COMPARTMENT DIMENSIONS.

450mm x 280mm x 80mm for 1.5FT tubes; 600mm x 280mm x 80mm for 3FT tubes;
1200mm x 280mm x 80mm for 4FT tubes; 1500mm x 280mm x 80mm for SFT tubes;
1800mm x 280mm x 80mm for 6FT tubes; 2100mm x 280mm x 80mm for 7FT tubes;
2400mm x 280mm x 80mm for 8FT tubes; 3000mm x 280mm x 80mm for 10FT tubes

UTILISER UNIQUEMENT LUMINAIRE FIXE AVEC MIN. LAMPE DIMENSIONS DU COMPARTIMENT

450mm x 280mm x 80mm for 1.5FT tubes; 600mm x 280mm x 80mm for 3FT tubes;
1200mm x 280mm x 80mm for 4FT tubes; 1500mm x 280mm x 80mm for SFT tubes;
1800mm x 280mm x 80mm for 6FT tubes; 2100mm x 280mm x 80mm for 7FT tubes;
2400mm x 280mm x 80mm for 8FT tubes; 3000mm x 280mm x 80mm for 10FT tubes

WARNING — RISK OF FIRE OR ELECTRIC SHOCK. INSTALL THIS KIT ONLY IN THE LUMINAIRE THAT HAS THE CONSTRUCTION FEATURES AND DIMENSIONS SHOWN IN THE PHOTOGRAPHS AND/OR DRAWINGS AND WHERE THE INPUT RATING OF THE RETROFIT KIT DOES NOT EXCEED THE INPUT RATING OF THE LUMINAIRE.

DO NOT MAKE OR ALTER ANY OPEN HOLES IN AN ENCLOSURE OF WIRING OR ELECTRICAL COMPONENTS DURING KIT INSTALLATION.

WARNING — TO PREVENT WIRING DAMAGE OR ABRASION, DO NOT EXPOSE WIRING TO EDGES OF SHEET METAL OR OTHER SHARP OBJECTS.

THIS RETROFIT KIT IS ACCEPTED AS A COMPONENT OF A LUMINAIRE WHERE THE SUITABILITY OF THE COMBINATION SHALL BE DETERMINED BY AUTHORITIES HAVING JURISDICTION. PRODUCT MUST BE INSTALLED BY A QUALIFIED ELECTRICIAN IN ACCORDANCE WITH THE APPLICABLE AND APPROPRIATE ELECTRICAL CODES. THE INSTALLATION GUIDE DOES NOT SUPERSEDE LOCAL OR NATIONAL REGULATIONS FOR ELECTRICAL INSTALLATIONS.

WARNING — TO AVOID POTENTIAL FIRE OR SHOCK HAZARD, DO NOT USE THIS RETROFIT KIT IN LUMINAIRES EMPLOYING SHUNTED BI-PIN LAMPHOLDERS. NOTE: SHUNTED LAMPHOLDERS ARE FOUND ONLY IN FLUORESCENT LUMINAIRES WITH INSTANT-START BALLASTS. INSTANT-START BALLASTS MAY BE IDENTIFIED BY THE WORDS "INSTANT START" OR "I.S." MARKED ON THE BALLAST. THIS DESIGNATION MAY BE IN THE FORM OF A STATEMENT PERTAINING TO THE BALLAST ITSELF, OR MAY BE COMBINED WITH THE MARKING FOR THE LAMPS WITH WHICH THE BALLAST IS INTENDED TO BE USED [e.g., "F40T12/IS"]. FOR MORE INFORMATION, CONTACT THE LED LUMINAIRE RETROFIT KIT MANUFACTURER.

INSTALLERS SHOULD NOT DISCONNECT EXISTING WIRES FROM LAMPHOLDER TERMINALS TO MAKE NEW CONNECTIONS AT LAMPHOLDER TERMINALS. INSTEAD, INSTALLERS SHOULD CUT EXISTING LAMPHOLDER LEADS AWAY FROM THE LAMPHOLDER AND MAKE NEW ELECTRICAL CONNECTIONS TO LAMPHOLDER LEAD WIRES BY EMPLOYING CONNECTORS SUITABLE FOR THE APPLICATION.

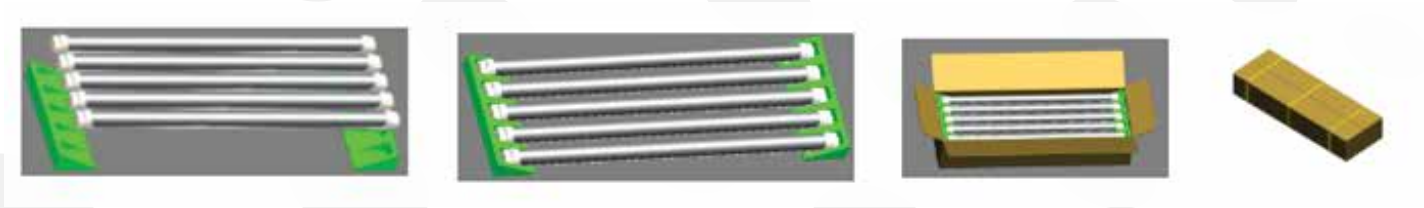


CHINET™

2ND GEN
LED T8 Tube

Packaging

SKU #	Size	Qty.	Carton Dimension	Net Weight	Gross Weight
157060	4FT	50 Pcs/Ctn			



LED T8 TUBE

CHINET™

2ND GEN
LED T8 Tube



Application Picture



LED T8 TUBE

Warranty

This product is covered under a 5-year warranty. For complete warranty details, [Click Here.](#)