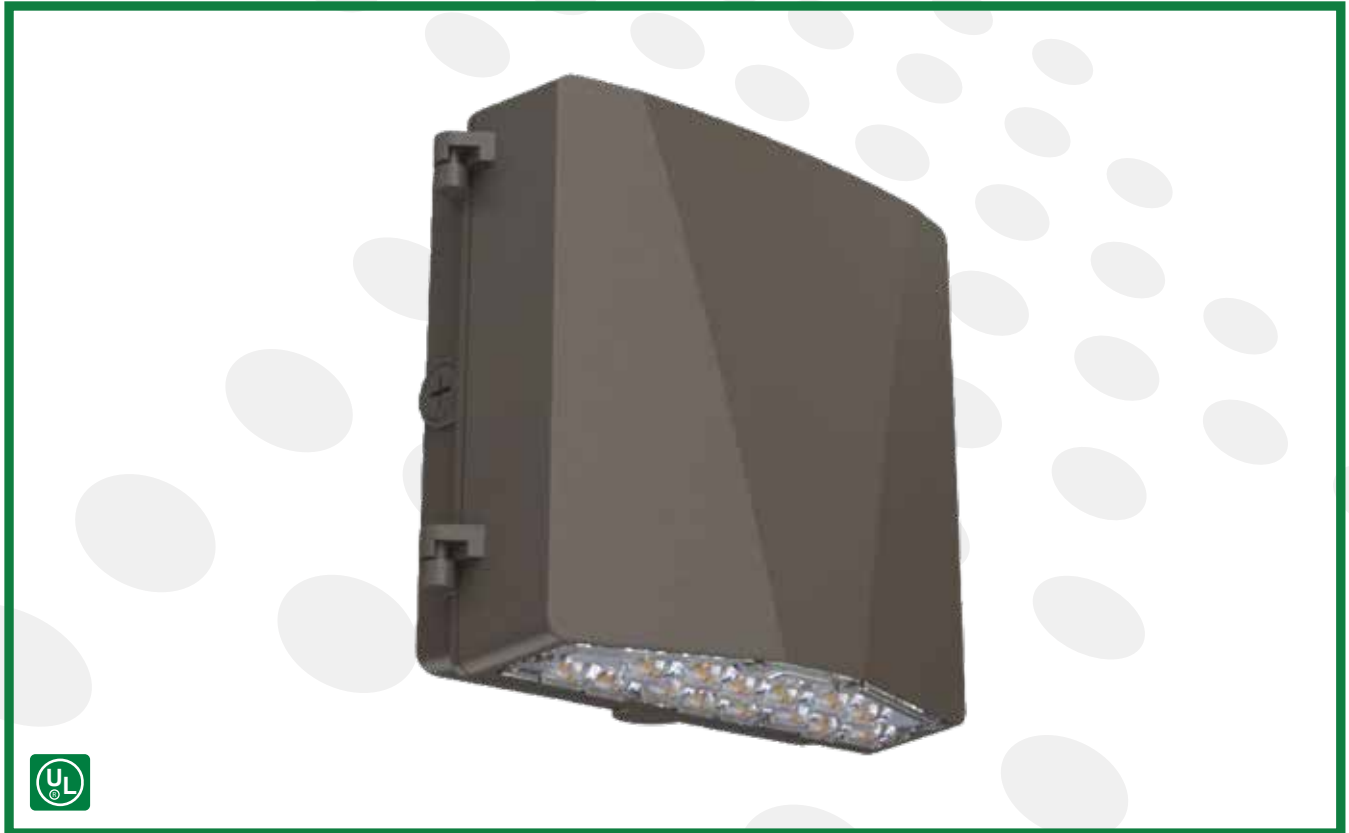




ZION™

3rd Gen
Wall Pack



SKU	DLC Model #
157088	ZPS-MB422-70W-V1-T2-E3-D2-D-T3

Beyond LED Technology's ZION 3rd Gen Full Cutoff Wall Pack offers a high-performance, energy-efficient lighting solution designed for a wide range of outdoor applications. Featuring adjustable wattage and color temperature, this versatile wall pack delivers customizable lighting that adapts to your specific needs. Its robust dark bronze housing ensures durability and long-lasting use, while the full cutoff design directs light precisely where it's needed, enhancing visibility and reducing unnecessary glare. Ideal for parking lots, stairwells, gas stations, and other commercial spaces, the ZION 3rd Gen wall pack is built to withstand the elements with its IP65-rated weatherproof protection.

Product Features

- Up to 130 lm/W
- Adjustable Wattages
- 0-10V Dimmable
- 4KV Surge Protection
- Input Voltage 100-277VAc
- UL & DLC Listed

FULL CUTOFF WALL PACK

ZION™

3rd Gen Wall Pack



SKU	ADJ. WATT	MAX LUMENS	CCT	INPUT VOLTAGE	CRI	LIGHT SPREAD	CONSTRUCTION	DIMMING	IP RATING	CERTIFICATIONS
157088	35W/50W/70W	9100	5000K	100-277V	>70	105°	Aluminum+PC	0-10V	IP65	UL & DLC

SKU: 157088

Specifications

Parameter	Description	Value
General Performance	Model #	ZPS-MB422-70W-V1-T2-E3-D2-D-T3
	Adjustable Watt	35W / 50W /70W
	Max Lumens	9100
	Lumen Efficacy	Up to 130LM/W
	Color Temperature	5000K
	CRI (Ra)	≥80
	Light Spread	105°
	Diffuser Type	PC Lens
Electrical	Input Voltage	100-277Vac
	Frequency	50/60Hz
	Dimming	0-10V
	Light Distribution	Type III
	Power Factor	≥0.9
	THD	<20%
	Flicker Percent	≤30%
	Driver Surge protection	4KV(L-N);6KV(L/N-G)
Physical	Driver Brand	GUYUAN
	Driver Model	GY-70W-115V-0690-UNV-10-H-ADJ1
	Operating Temperature	-40°C TO 40°C
	Operating Humidity	10%~ 80%RH
	Storage Temperature	-30°C TO 70°C
	Storage Humidity	10%~ 90%RH
	LED Brand	Samsung
	LED Type	SMD2835
	LED QTY	112 Pcs
	Construction	Die-cast Aluminum
Qualification	Housing Color	Bronze
	IP Rating	IP65

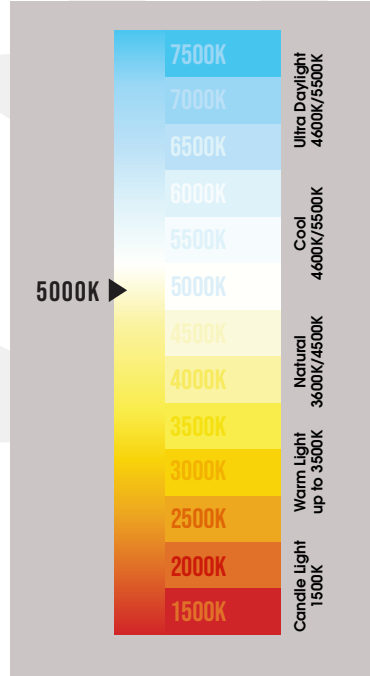
FULL CUTOFF WALL PACK



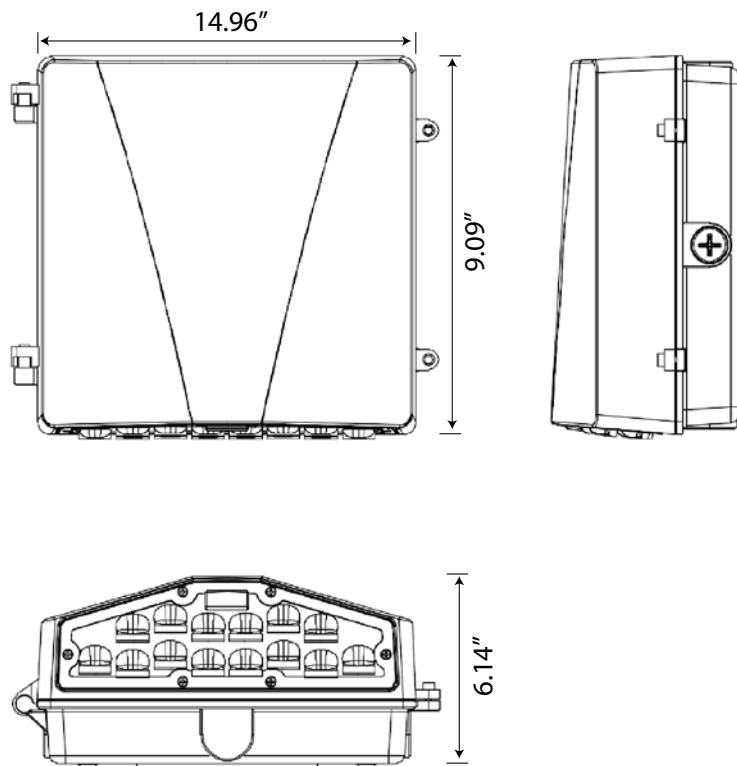
ZION™

3rd Gen
Wall Pack

Correlated Color Temperature (CCT)

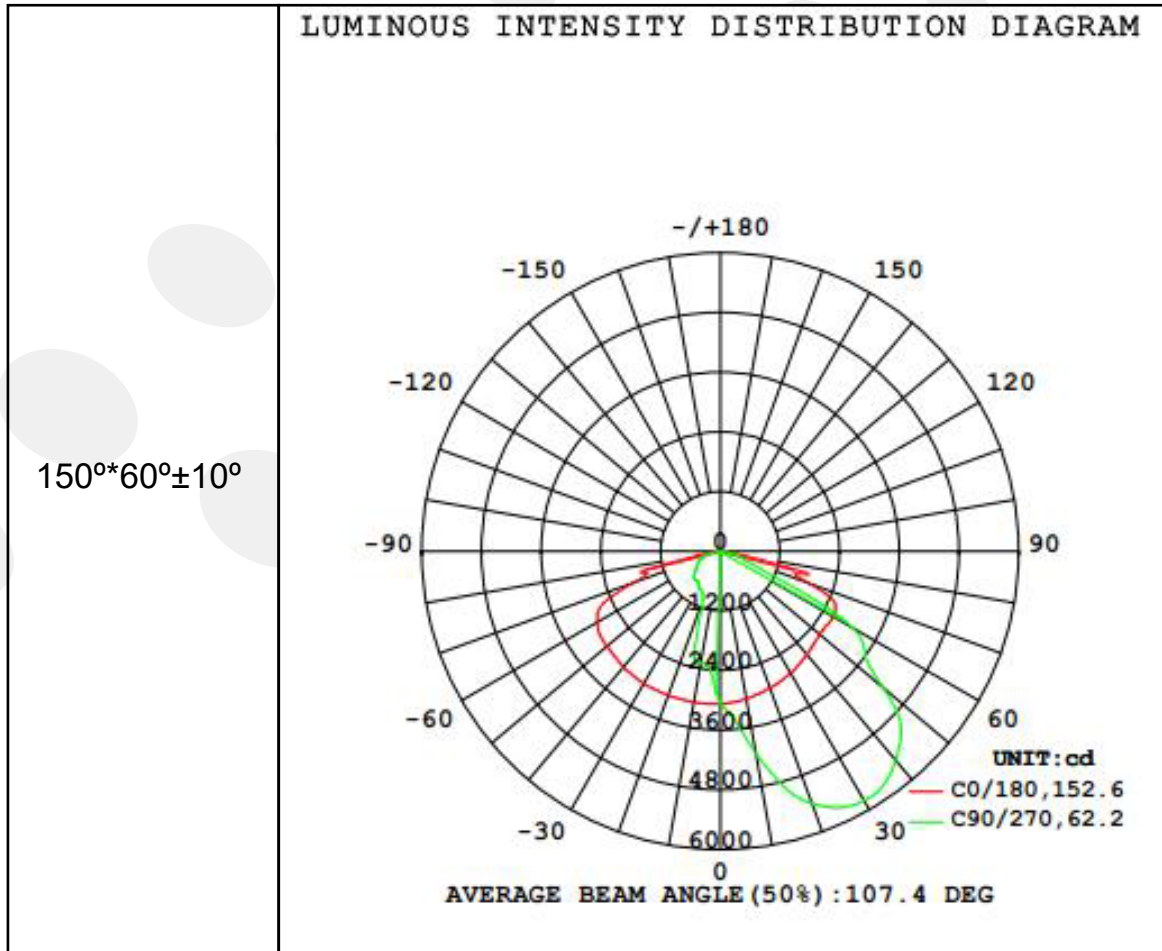


Dimensions





Light Distribution Curve / Spot



Packaging

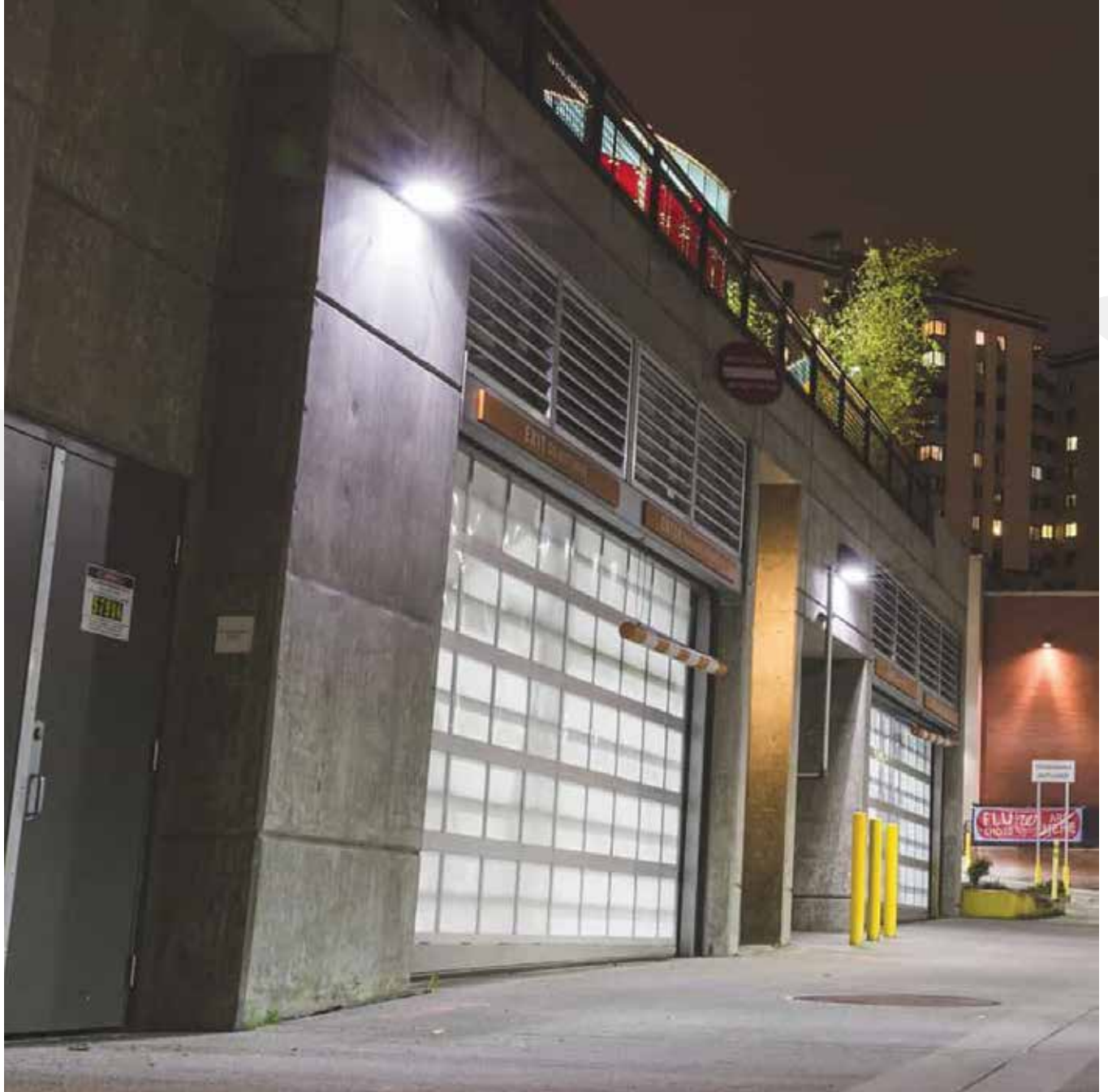
SKU	Box Dimension	Qty	Net Weight	Gross Weight
157088	15.28" x 5.62" x 10.35"	1 PC/Box	5.07LBS	5.73LBS



ZION™

3rd Gen
Wall Pack

Application Image



FULL CUTOFF WALL PACK