

# SLIMSHINE™

## Flood Light



**1** Year  
Warranty

**SKU #**

**Model #**

157092 TG019A-50W-DB

157093 TG019A-150W-DB

Introducing the SLIMSHINE Flood Light by Beyond LED Technology – a very economical, ultra-lightweight, and high-performance outdoor lighting solution engineered for efficiency and durability. With advanced DOB technology, the SLIMSHINE provides outstanding lumen output with up to 110 lumens per watt, ensuring powerful illumination while keeping energy costs low. Available in both 50W and 150W models, it features a 6500K daylight white color temperature that’s perfect for a variety of environments. Built to last with an IP66 rating and 3.5KV surge protection, the SLIMSHINE can withstand harsh outdoor conditions and is constructed with aluminum alloy for added durability. A 4ft power cord is also included for easy installation.

Ideal for applications such as buildings, bridges, garages, landscapes, stadiums, gymnasiums, exhibition halls, workshops, warehouses, and infrastructure, the SLIMSHINE flood light ensures both performance and reliability. Tailored specifically for e-commerce distributors and online resellers, this versatile and cost-effective solution is designed for high-volume sales, providing excellent value while meeting the demands of fast-paced online inventories. Perfect for businesses seeking a low-maintenance, high-quality lighting option that doesn't compromise on power or affordability.

### Product Features

- Up to 110 lm/W
- 50W & 150W
- CCT 6500K
- Input Voltage 110-277V AC
- Beam angle 90°
- IP66 rated
- Aluminum alloy construction
- 4ft Power Cable Included

# SLIMSHINE™

## Flood Light



SKU	WATT	MAX LUMENS	CCT	INPUT VOLTAGE	CRI	LIGHT SPREAD	CONSTRUCTION	IP RATING
157092	50W	5500	6500K	110-277V	>80	90°	Die-cast Aluminum	IP66
157093	150W	16500	6500K	110-277V	>80	90°	Die-cast Aluminum	IP66

### SKU: 157092 Specifications

Parameter	Description	Value
General Performance	Model #.	TG019A-50W-DB
	Watt	50W
	Max Lumens	5500
	Lumen Efficacy	Up to 110LM/W
	Color Temperature	6500K
	CRI (Ra)	>80
	Light Spread	90°
	Input Voltage	110-277Vac
Electrical	Frequency	50/60Hz
	Dimming	Not Dimmable
	PF (Tolerance: -3%)	>0.5
	Flicker Percent	No flickering
	Driver Brand	San'an
	Driver Model	DOB, no driver
	Driver Surge Protection	3.5KV
Physical	Operating Temperature	-30°C TO 50°C
	Storage Temperature	-30°C TO 50°C
	Operating Humidity	10% ~ 95% RH
	LED Brand	Guanton
	LED Type	SMD2835
	LED QTY	72 PCS
	Construction	Die-cast Aluminum
Qualification	Housing Color	Grey
	IP Rating	IP66
	Warranty	1 Year

FLOOD LIGHT

# SLIMSHINE™

## Flood Light

SKU: 157093

### Specifications

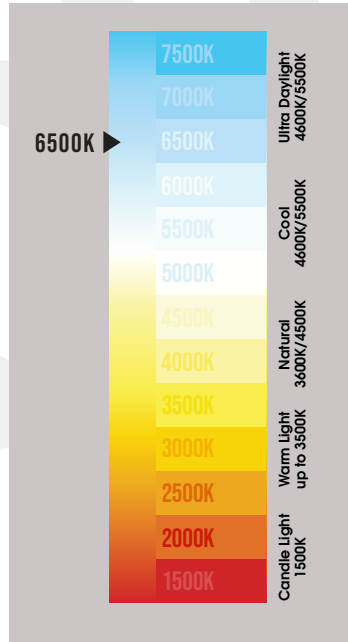
Parameter	Description	Value
General Performance	Model #.	TG019A-150W-DB
	Watt	150W
	Max Lumens	16500
	Lumen Efficacy	Up to 110LM/W
	Color Temperature	6500K
	CRI (Ra)	>80
	Light Spread	90°
	Input Voltage	110-277Vac
Electrical	Frequency	50/60Hz
	Dimming	Not Dimmable
	PF (Tolerance: -3%)	>0.5
	Flicker Percent	No flickering
	Driver Brand	San'an
	Driver Model	DOB, no driver
	Driver Surge Protection	3.5KV
Physical	Operating Temperature	-30°C TO 50°C
	Storage Temperature	-30°C TO 50°C
	Operating Humidity	10% ~ 95% RH
	LED Brand	Guanton
	LED Type	SMD2835
	LED QTY	216 PCS
	Construction	Die-cast Aluminum
Qualification	Housing Color	Grey
	IP Rating	IP66
	Warranty	1 Year

# SLIMSHINE™

## Flood Light

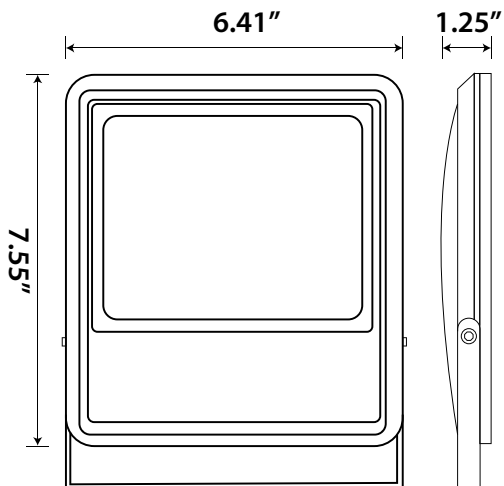


### Correlated Color Temperature (CCT)

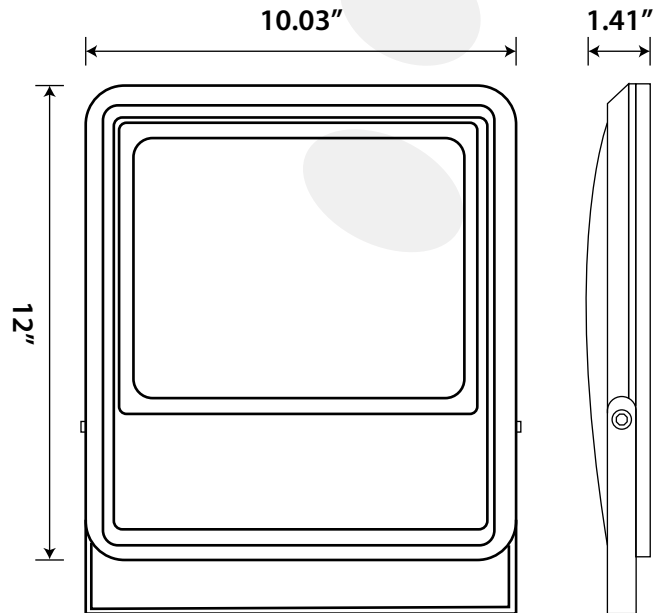


### Dimensions

50 Watt



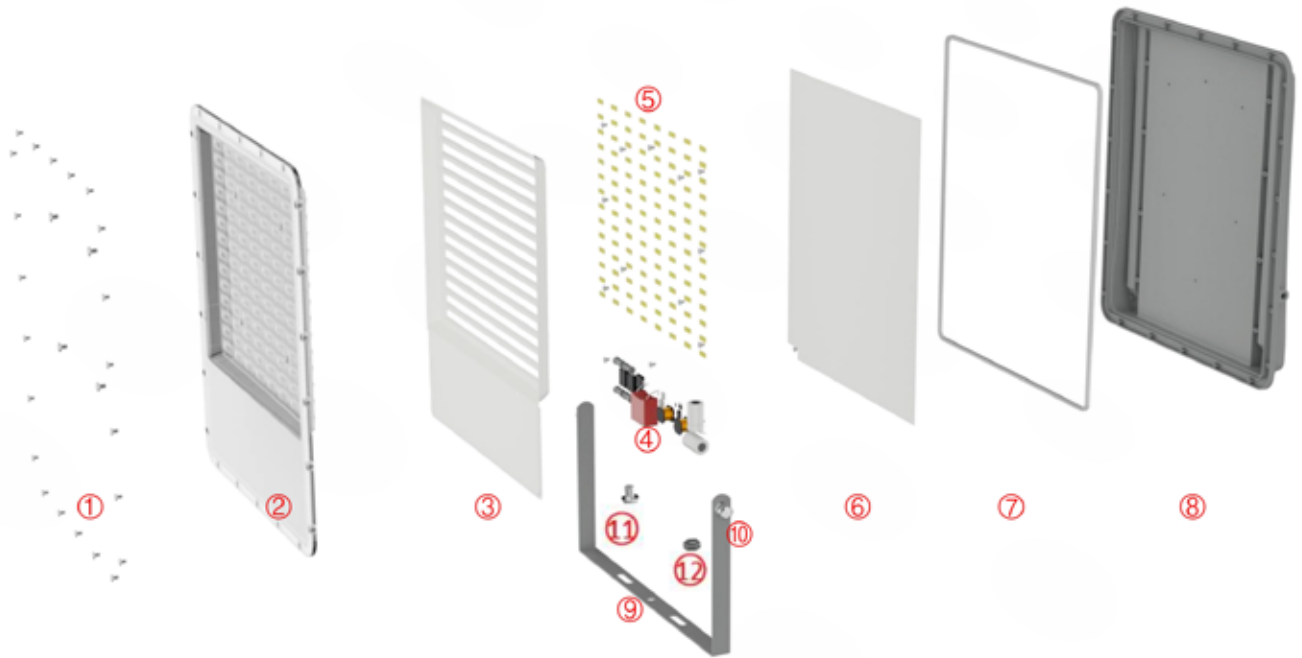
150 Watt



# SLIMSHINE™

## Flood Light

### Exploded View



1. Stainless Steel Screw

2. Optical Lens

3. Nano Reflector

4. Electronic Components

5. High Lumens 2835SMD

6. Alminum PCB

7. Silicon Ring

8. Grey Color Aluminum Die-cast

9. Bracket

10. Stainless steel screws for bracket

11. Stainless Steel waterproof connector

12. Breathing value (50W-150W)



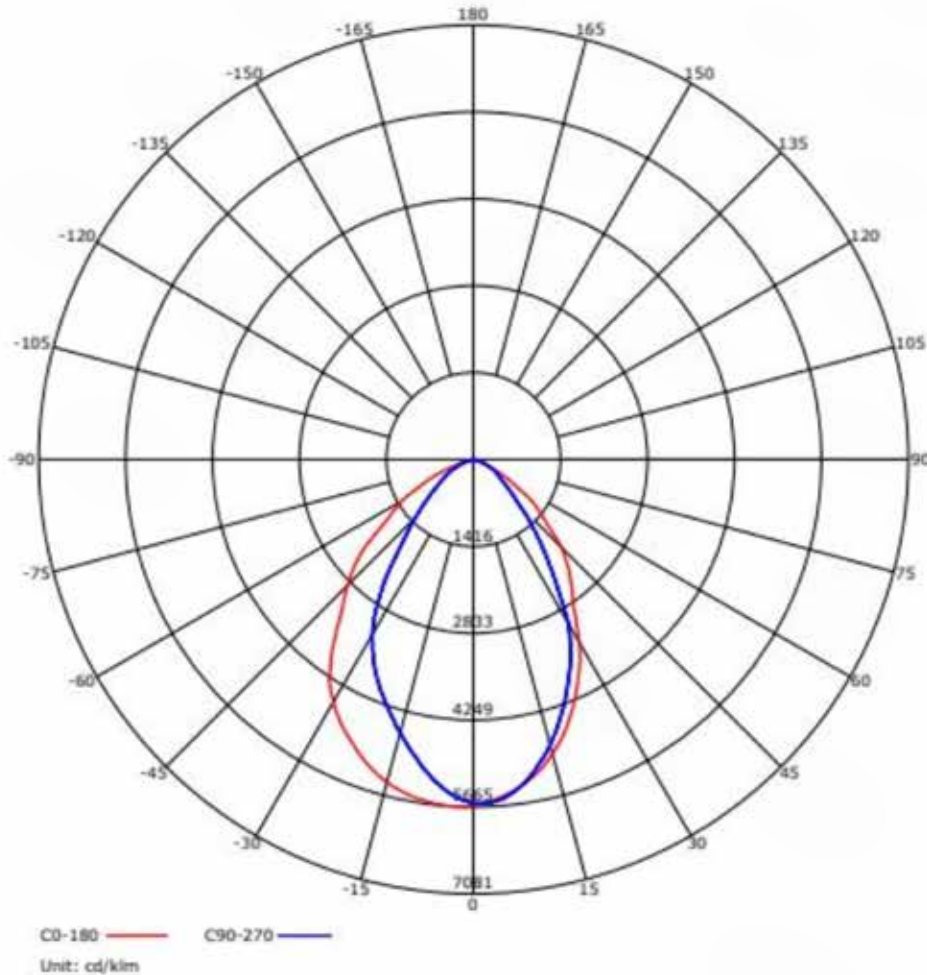
# SLIMSHINE™

## Flood Light



SKU: 157092

Luminance Distribution



C Range: 0 - 360 Deg  
C Interval: 45.0 Deg  
Test Speed: High  
Temperature:  
Operators:  
Test Date: 2024/6/15 17:06:52

G Range: 0 - 90 Deg  
G Interval: 1.0 Deg  
Test System: Huiyu CPM-1600B Goniophotometer  
Humidity:  
Test Distance: 9.24 m  
Remarks:

FLOOD LIGHT



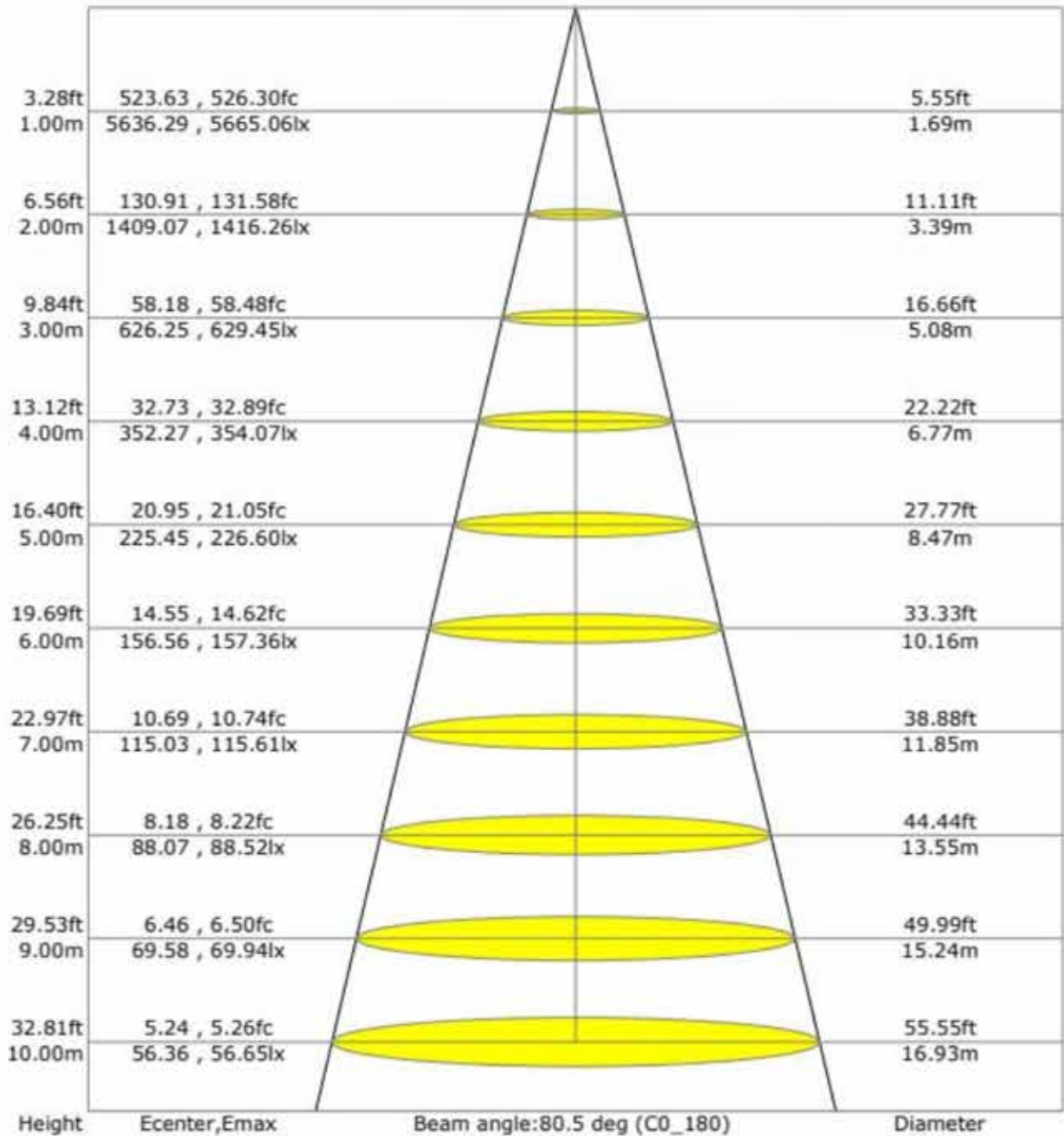
# SLIMSHINE™

## Flood Light

SKU: 157092

Luminance Distribution

### AAI Figure



FLOOD LIGHT

# SLIMSHINE™

## Flood Light

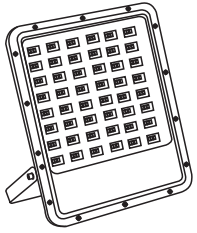
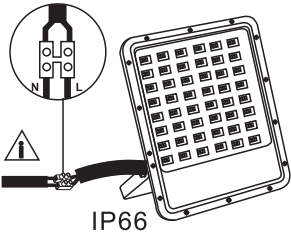
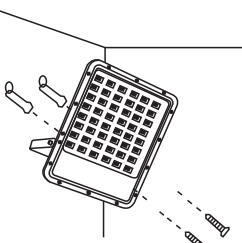
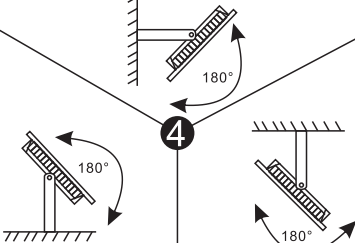


### Installation

In order to install the luminaire correctly, please carefully read this manual and keep it properly before installing or repairing this product. Be sure to have it operated by a qualified electrician when installing or repairing the luminaire.

1. Please turn off the power before installation to avoid improper operation and electric shock.
2. Before installation, please check whether the voltage marked on the flood light and the input voltage to be connected are the same so that not to damage the LED flood light.
3. In order to ensure the lifespan of the product, please do not use it in areas with strong acid mist.
4. Ensure that the installation location can withstand 10 times the weight of the product before installation, and install it on a flat place with no vibration, no rocking, and no fire hazards.
5. The power cable is a 3-core line; the blue line is a neutral line N, the brown line is a live line L, and the yellow/green line is a ground line PE.
6. Floodlights are waterproof and moisture-proof, with a protection rating of IP66. Can withstand the test of rain from the top down but cannot be immersed in underwater work, its protection level does not meet the requirements of underwater work.
7. The working power of flood light is high voltage with alternating current. It should be away from places that are easily accessible to the crowd and should be well grounded. Ground wire must be used.
8. The working temperature of the flood light should be between  $-30^{\circ}\text{C} \sim 50^{\circ}\text{C}$ . The temperature in the workplace must not exceed  $45^{\circ}\text{C}$  to ensure the lifespan of the flood light, it should be kept in a relatively good thermal environment.

## II. INSTALLATION

 <p>1</p>	 <p>IP66</p> <p>2</p>	<ol style="list-style-type: none"><li>1. Use the mounting bracket as template, locate the screw holes on the wall or other fixed surface.</li><li>2. Wiring.</li><li>3. Screw the mounting bracket to the wall.</li><li>4. Adjust the angle as you wish.</li></ol>
 <p>3</p>	 <p>4</p>	



# SLIMSHINE™

## Flood Light

### Packaging

SKU	Box Type	Box Dimension	Qty	Net Weight	Gross Weight
157092	Inner Box	7.4" x 1.38" x 8.86"	1 PC/Box	0.566LBS	0.972LBS
	Outer Box	7.87" x 3.15" x 10.04"	2 PC/Box	1.94LBS	2.22LBS
157093	Inner Box	11.54" x 1.77" x 13.78"	1 PC/Box	2.22LBS	2.47LBS
	Outer Box	12.01" x 4.13" x 14.96"	2 PC/Box	4.94LBS	5.54LBS

# SLIMSHINE™

## Flood Light



### Application Image



FLOOD LIGHT

### Warranty

This product is covered under a 1-year warranty. For complete warranty details, [Click Here.](#)