



ICONIC™

2nd Gen

LED Integrated Tube



| SKU #. | Model No. |
|--------|---------------|
| 157097 | DYU-ITATWC-4T |
| 157098 | DYU-ITATWC-4S |
| 157099 | DYU-ITATWC-8T |
| 157100 | DYU-ITATWC-8S |

Beyond LED Technology's ICONIC 2nd Gen Linkable T8 Integrated LED Tubes are a high-performance replacement for traditional halogen, low-voltage, or fluorescent lighting. These fixtures feature integrated drivers, are self-supporting, and mount easily to any flat surface. Designed to operate directly on 120-277V AC line voltage, the ICONIC 2nd Gen tubes offer adjustable color temperatures and deliver up to 130 lumens per watt for maximum efficiency. Each tube provides a wide 140° beam angle and high color accuracy with CRI >80. Available in a range of wattages, the tubes can be seamlessly linked together—up to 18 units depending on wattage—for continuous runs up to 32 feet. With 50,000 hours rated lifespan, robust performance from -20°C to +50°C, and a 5-year warranty, the ICONIC 2nd Gen LED Integrated Tube is ideal for long-lasting, energy-efficient lighting in commercial, industrial, or utility spaces.

Product Features

- Available in 4' & 8'
- Up to 130 lm/W
- Adjustable Wattage
- Adjustable CCT
- 140° Beam Angle
- Linkable up to 18 units (based on wattage)
- Input Voltage 120-277V AC
- IP20 rated
- ETL Listed
- 5 Years warranty

ICONIC™

2nd Gen

LED Integrated Tube



| SKU | ADJ. WATT | MAX LUMENS | ADJ. CCT | INPUT VOLTAGE | CRI | SIZE | LIGHT SPREAD | DIMMING | LENS | CERTIFICATIONS |
|--------|-------------------------|------------|-------------------------|---------------|-----|------|--------------|------------|--------------|----------------|
| 157097 | 12W/15W/18W/20W/22W/24W | 3120 | 3K/3500K/4K/5K/6K/6500K | 120-277V | >80 | 4' | 140° | No Dimming | Clear Lens | ETL |
| 157098 | 12W/15W/18W/20W/22W/24W | 3120 | 3K/3500K/4K/5K/6K/6500K | 120-277V | >80 | 4' | 140° | No Dimming | Striped Lens | ETL |

Size: 4FT Specifications

| Parameter | Description | Value |
|---------------------|-------------------------|-------------------------------------|
| General Performance | Adjustable Watt | 12W/15W/18W/20W/22W/24W |
| | Max Lumens | 3120 |
| | Lumen Efficacy | Up to 130 lm/W |
| | Color Temperature | 3000K/3500K/4000K/5000K/6000K/6500K |
| | CRI (Ra) | >80 |
| | Light Spread | 140° |
| | Diffuser | Clear Lens / Striped Lens |
| Electrical | Input Voltage | 120-277V AC |
| | Frequency | 50/60Hz |
| | PF | ≥0.9 |
| | THD | ≤25% |
| | Driver Model | DYD-T8F24-120190-N |
| | Driver Surge protection | 4kV 12ohm |
| Physical | Dimming | No Dimming |
| | Operating Temperature | -20°C to 50°C |
| | Storage Temperature | -40°C to +75°C |
| | Operating Humidity | 10%-90% RH |
| | Storage Humidity | 0-95% RH |
| | LED Brand | Jufei |
| | LED Type | SMD2835 |
| | LED Qty | 240 Pcs |
| Construction | Aluminum & PC Housing | |
| Qualification | Housing Color | White |
| | IP Rating | IP20 |
| | Warranty | 5 Years |

LED LINKABLE FIXTURES



ICONIC™

2nd Gen LED Integrated Tube

| SKU | ADJ. WATT | MAX LUMENS | ADJ. CCT | INPUT VOLTAGE | CRI | SIZE | LIGHT SPREAD | DIMMING | LENS | CERTIFICATIONS |
|--------|-----------------------------|------------|-----------------------------|---------------|-----|------|--------------|------------|--------------|----------------|
| 157099 | 40W/45W/48W/ 52W/56W/60W | 7800 | 3K/3500K/4K/ 5K/6K/6500K | 120-277V | >80 | 8' | 140° | No Dimming | Clear Lens | ETL |
| 157100 | 40W/45W/48W/ 52W/56W/60W | 7800 | 3K/3500K/4K/ 5K/6K/6500K | 120-277V | >80 | 8' | 140° | No Dimming | Striped Lens | ETL |

Size: 8FT

Specifications

| Parameter | Description | Value |
|---------------------|-------------------------|-------------------------------------|
| General Performance | Adjustable Watt | 40W/45W/48W/52W/56W/60W |
| | Max Lumens | 7800 |
| | Lumen Efficacy | Up to 130 lm/W |
| | Color Temperature | 3000K/3500K/4000K/5000K/6000K/6500K |
| | CRI (Ra) | >80 |
| | Light Spread | 140° |
| | Diffuser | Clear Lens / Striped Lens |
| Electrical | Input Voltage | 120-277V AC |
| | Frequency | 50/60Hz |
| | PF | ≥0.9 |
| | THD | ≤25% |
| | Driver Model | DYD-T8F60-120480-N |
| | Driver Surge protection | 4kV 12ohm |
| Physical | Dimming | No Dimming |
| | Operating Temperature | -20°C to 50°C |
| | Storage Temperature | -40°C to +75°C |
| | Operating Humidity | 10%-90% RH |
| | Storage Humidity | 0-95% RH |
| | LED Brand | Jufei |
| | LED Type | SMD2835 |
| | LED Qty | 640 Pcs |
| Construction | Aluminum & PC Housing | |
| Qualification | Housing Color | White |
| | IP Rating | IP20 |
| | Warranty | 5 Years |

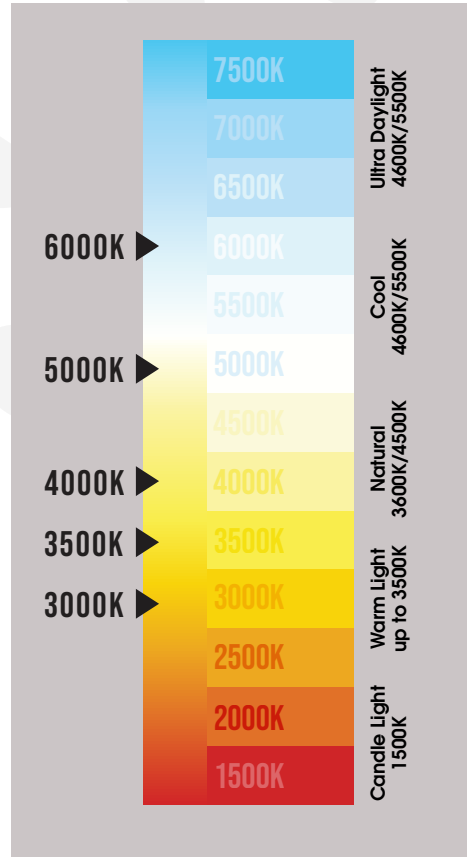
ICONIC™

2nd Gen

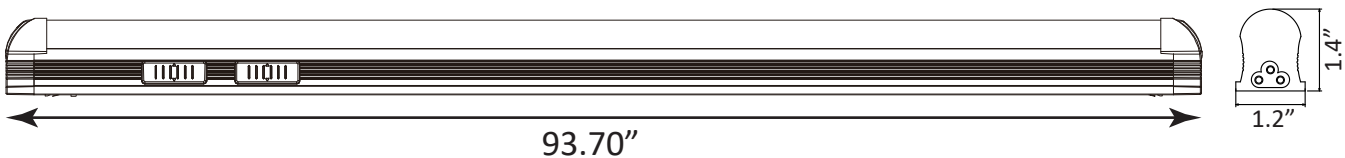
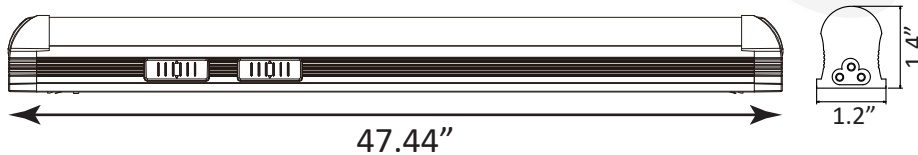
LED Integrated Tube



Correlated Color Temperature (CCT)



Dimension



LED LINKABLE FIXTURES

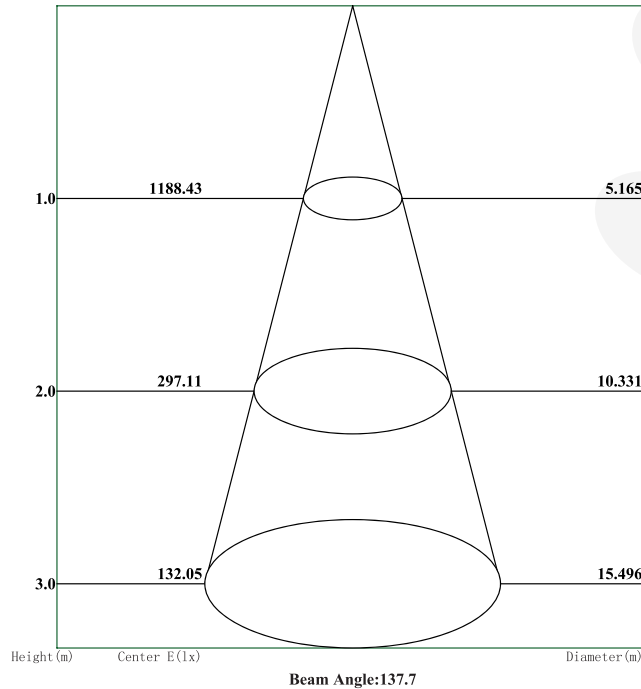
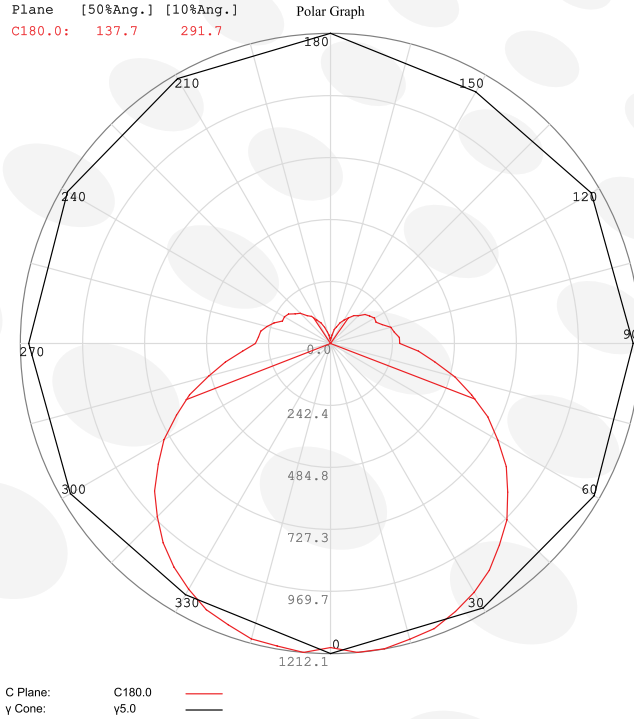


ICONIC™

2nd Gen

LED Integrated Tube

Distribution Diagram



ICONIC™

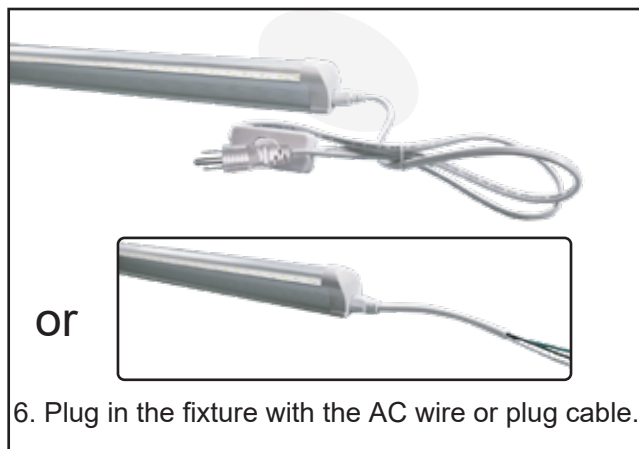
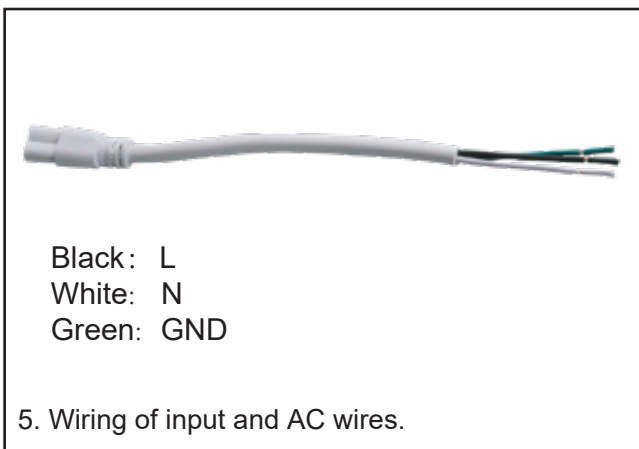
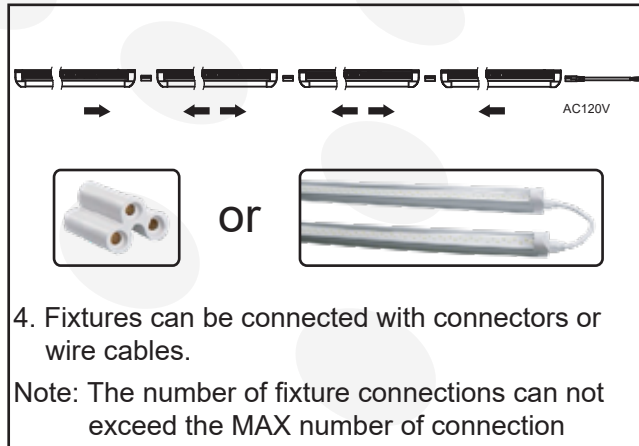
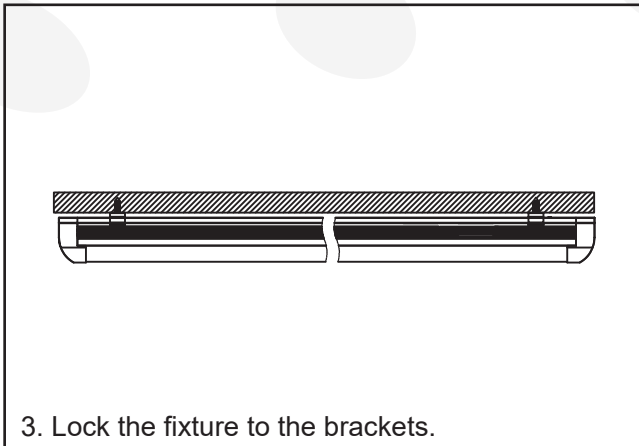
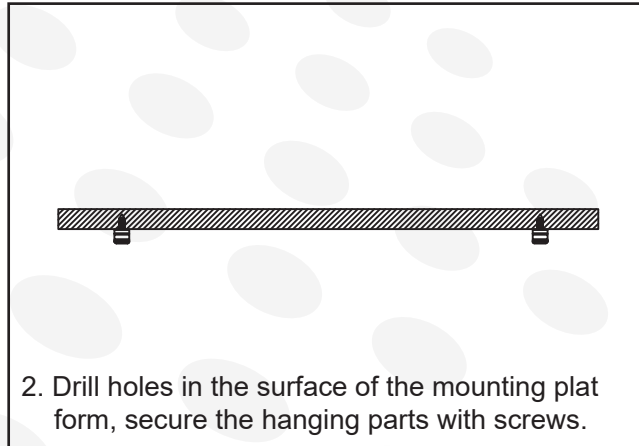
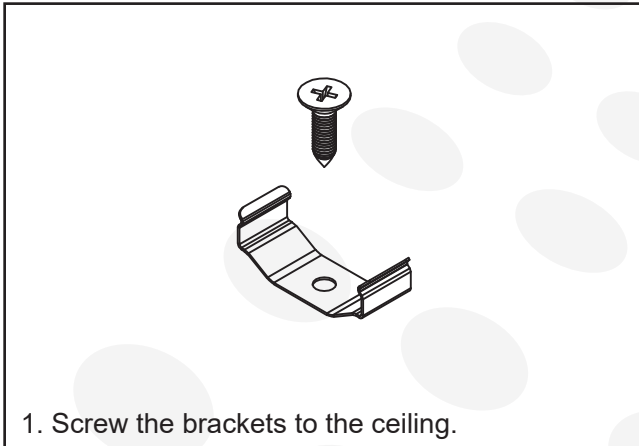
2nd Gen

LED Integrated Tube



Installation

Please read the instructions carefully before installation



Warning: Turn off the power before installation.



ICONIC™

2nd Gen

LED Integrated Tube

Accessories



Optional Accessories (Cable)

SKU: 156853
(8-inches)



SKU: 156854
(4FT)



Packaging

| SKU | Box Dimension | Size | Qty. | Net Weight | Gross Weight |
|--------|---------------------|------|------------|------------|--------------|
| 157097 | 48.82 x 7.7 x 7.5 | 4FT | 20 Pcs/Box | 14.7 LBS | 16.4 LBS |
| 157098 | 48.82 x 7.7 x 7.5 | 4FT | 20 Pcs/Box | 14.7 LBS | 16.4 LBS |
| 157099 | 95.07 x 7.67 x 7.48 | 8FT | 20 Pcs/Box | 27.6 LBS | 32 LBS |
| 157100 | 95.07 x 7.67 x 7.48 | 8FT | 20 Pcs/Box | 27.6 LBS | 32 LBS |

ICONIC™

2nd Gen
LED Integrated Tube



Application Image



LED LINKABLE FIXTURES



ICONIC™

2nd Gen LED Integrated Tube

Application Image



Warranty

This product is covered under a 5-year warranty. For complete warranty details, [Click Here.](#)