



FANTIK™

Center Basket Troffer



SKU	DLC Model
157105	ZS-TF22-Q01-S40-3065
157104	ZS-TF24-Q01-S72-3065

The FANTIK LED Troffer from Beyond LED Technology is a high-efficiency lighting solution designed for modern commercial spaces. Available in 2x2 ft and 2x4 ft models, each troffer features field-adjustable wattage and color temperature, offering maximum flexibility to suit various lighting needs. With an output of up to 130 lumens per watt, the FANTIK LED Troffer delivers consistent performance, reduced energy costs, and an ultra-clean look—ideal for offices, schools, hospitals, and retail environments.

Product Features

- Up to 130lm/W
- Available in 2x2 & 2x4
- Adjustable wattage
- Adjustable CCT
- 120° Beam Angle
- IP40 Rated
- 0-10V Dimmable
- White housing
- Input Voltage 100-277VAC
- ETL & DLC Listed
- 5 Years warranty



SKU	ADJ. WATT	MAX LUMENS	ADJ. CCT	INPUT VOLTAGE	CRI	SIZE	LIGHT SPREAD	CONSTRUCTION	DIMMING	CERTIFICATIONS
157105	20W/25W/30W/ 35W/40W	5200	3K/3500K/4K/ 5K/6500K	100-277V	>80	2X2	120°	Steel Housing+ Frosted PC Lens	0-10V	ETL & DLC
157104	30W/40W/50W/ 60W/72W	9360	3K/3500K/4K/ 5K/6500K	100-277V	>80	2X4	120°	Steel Housing+ Frosted PC Lens	0-10V	ETL & DLC

SKU: 157105 / 2x2 Specifications

Parameter	Description	Value
General Performance	Model #	ZS-TF22-Q01-S40-3065
	Adjustable Watt	20W / 25W / 30W / 35W / 40W
	Max Lumen	5200
	Lumen Efficacy	Up to 130 lm/W
	Color Temperature	3000K / 3500K / 4000K / 5000K / 6500K
	CRI (Ra)	>80
	Light Spread	120°
	Diffuser Type	PC Cover
Electrical	Input Voltage	100-277Vac
	Frequency	50/60Hz
	Dimming	0-10V Dimmable
	Power Factor	> 0.95
	Flicker	Yes
	THD	<10%
Physical	Driver Brand	N/a
	Driver Model	N/A
	Operating Temperature	-20°C ~ +45°C
	Operating Humidity	20% - 75%
	Storage Temperature	N/A
	Storage Humidity	N/A
	LED Brand	Everfine
	LED Type	SMD2835
	LED QTY	72 Pcs
Construction	Steel Housing + Frosted PC Lens	
Qualification	Housing Color	White
	IP Rating	IP40
	Warranty	5 Years



FANTIK™

Center Basket Troffer

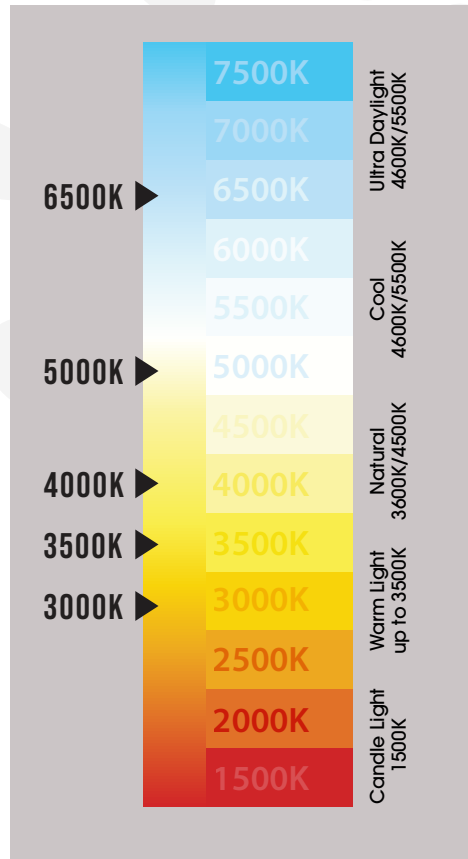
SKU: 157104 / 2x4

Specifications

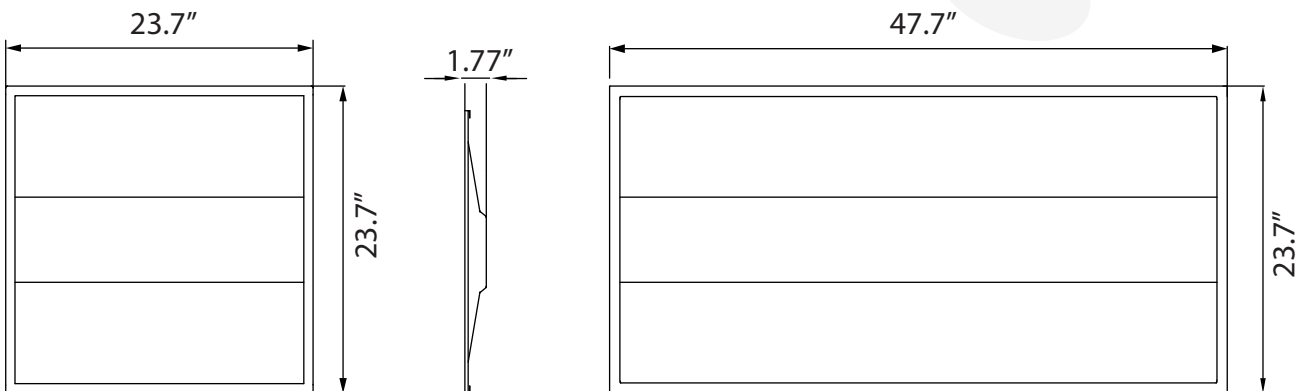
Parameter	Description	Value
General Performance	Model #	ZS-TF24-Q01-S72-3065
	Adjustable Watt	30W / 40W / 50W / 60W / 72W
	Max Lumen	9360
	Lumen Efficacy	Up to 130 lm/W
	Color Temperature	3000K / 3500K / 4000K / 5000K / 6500K
	CRI (Ra)	>80
	Light Spread	120°
Electrical	Diffuser Type	PC Cover
	Input Voltage	100-277Vac
	Frequency	50/60Hz
	Dimming	0-10V Dimmable
	Power Factor	> 0.95
	Flicker	Yes
Physical	THD	<10%
	Driver Brand	N/A
	Driver Model	N/A
	Operating Temperature	-20°C ~ +45°C
	Operating Humidity	20% - 75%
	Storage Temperature	N/A
	Storage Humidity	N/A
	LED Brand	Everfine
	LED Type	SMD2835
	LED QTY	144 Pcs
Qualification	Construction	Steel Housing + Frosted PC Lens
	Housing Color	White
	IP Rating	IP40
	Warranty	5 Years



Correlated Color Temperature (CCT)



Dimensions





FANTIK™

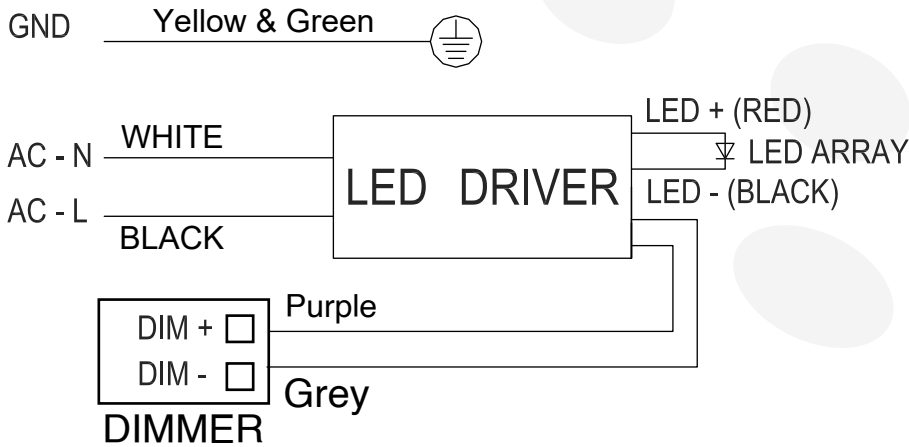
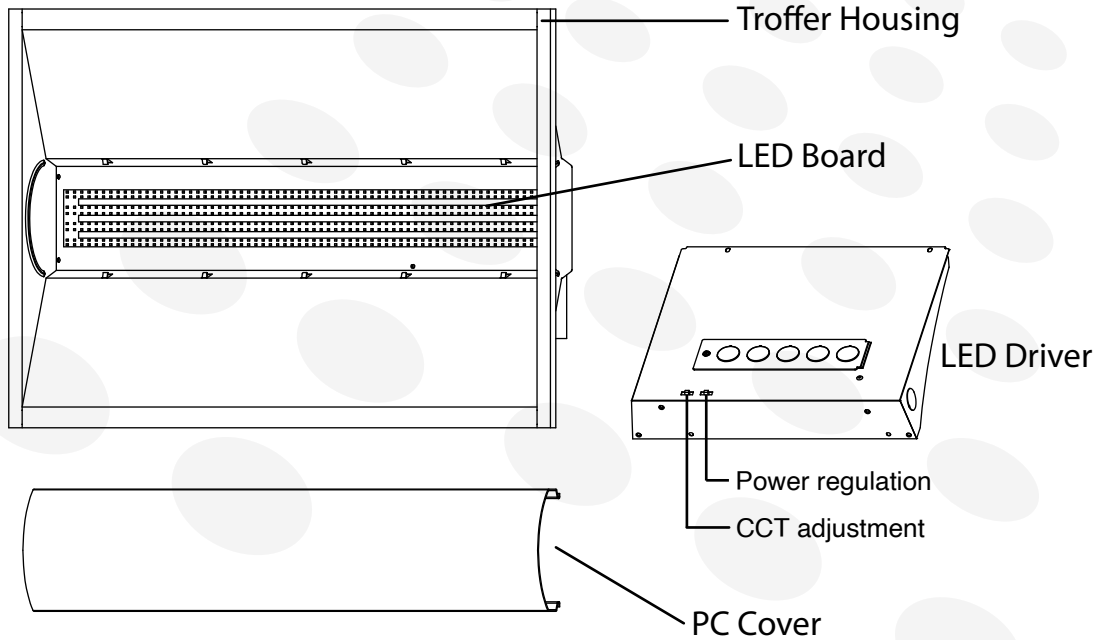
Center Basket Troffer

Product Appearance





Wiring Diagram



Electric Shock Attention

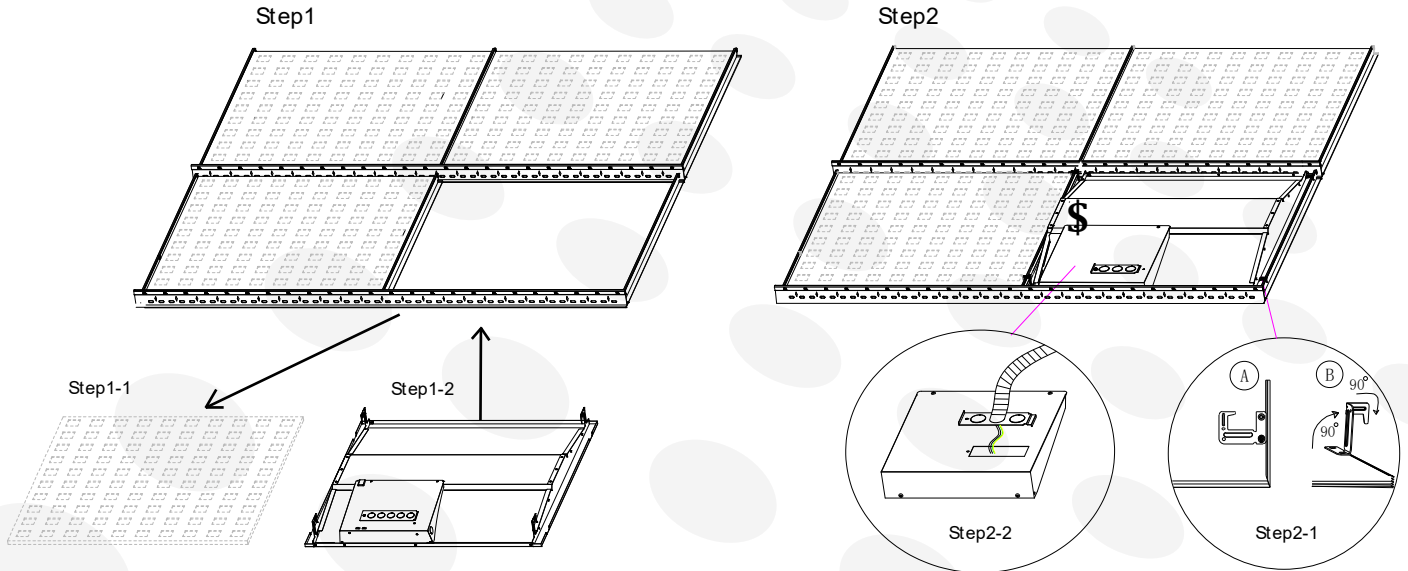
Ensure the power supply has been cut off before connecting the wire, and all wiring and installation of this product are required to be operated by professionals.



FANTIK™

Center Basket Troffer

Installation



Step 1: Make sure of all the power is off before installing. Remove the one ceiling tile that you need to install light fixture on. Then place the light fixture on the T-bar carefully and make sure it is correctly in place and secure.

Step 2: Lift the 4 buckles on the back of the panel up by 90° then bend the top part of the buckles 90° towards the direction where you can anchor the light fixture to the T-bar.

Step 3: Open the driver's junction box and connect the AC wire to the driver correctly (L=black & N=white)

Warning:

1. Please read the instructions carefully before installation.
2. Please make sure the power is off before installation.
3. The installation can only be done by certified electricians.
4. Product rated voltage is 100~277 Volts. Please make sure voltage range Meets the requirements don't use chemicals to clean the lighting surface.

FANTIK™

Center Basket Troffer



Packaging

SKU	Size	Box Dimension	Qty	Net Weight	Gross Weight
157105	2 x 2	25.6" x 8.5" x 25.6"	4 Pcs/Box	15.5LBS	19.8LBS
157104	2 x 4	49.6" x 8.5" x 25.6"	4 Pcs/Box	41.8LBS	45.4LBS

Application Image



CENTER BASKET TROFFER



FANTIK™

Center Basket Troffer

Application Image



Warranty

This product is covered under a 5-year warranty. For complete warranty details, [Click Here.](#)