



RIDGE™

LED Retrofit Flathead Corn Bulb



SKU #	DLC Model #
157108	AST-CLH02E-110WBCA1-acK

Beyond LED Technology's RIDGE LED Retrofit Flathead Corn Bulb is a high-performance lighting solution designed to replace traditional metal halide, HPS, and CFL lamps in outdoor pole lights and enclosed fixtures. Engineered for retrofit applications, this LED corn bulb offers a cost-effective and energy-efficient upgrade without the need to replace the entire fixture. Featuring adjustable wattage and color temperature (CCT), the RIDGE LED Flathead Corn Bulb provides tailored lighting solutions for a wide range of commercial and industrial environments. With a robust heat sink design and 0–10V dimming capabilities, it ensures optimal performance and long-lasting, uniform light output. The RIDGE LED Retrofit Flathead Corn Bulb offers a significant reduction in energy consumption, lowering operating costs while maintaining superior lighting quality. Perfect for applications such as street lighting, parking lots, warehouses, and other high-ceiling areas, the RIDGE LED Flathead Corn Bulb is built to deliver reliable and efficient lighting while minimizing maintenance needs.

Product Features

- Up to 128 lm/W
- Adjustable Wattage
- Adjustable CCT
- 0–10V Dimmable
- EX39 Base
- 110° Beam Angle
- Aluminum + PC Housing
- Input Voltage 120–277V AC
- IP64 Rated
- UL & DLC Listed
- 5 Years Warranty

LED Retrofit Flathead Corn Bulb



SKU	ADJ. WATT	MAX LUMENS	ADJ. CCT	INPUT VOLTAGE	CRI	LIGHT SPREAD	CONSTRUCTION	BASE	DIMMING	IP RATING	CERTIFICATIONS
157108	75W/95W/110W	14080	3K/4K/5K	120-277V	>80	110°	Aluminum+PC Lens	EX39	0-10V	IP64	UL & DLC

SKU: 157108

Specifications

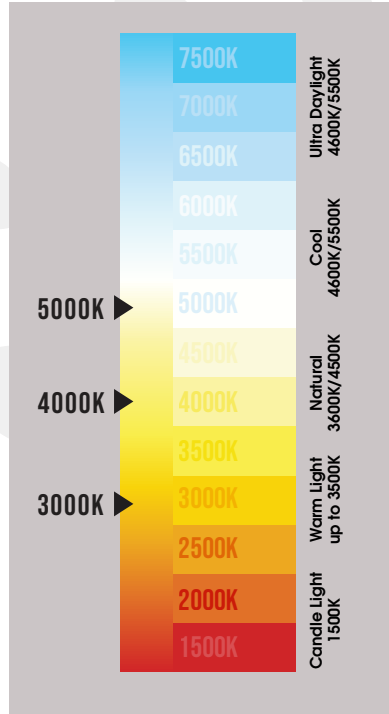
Parameter	Description	Value
General Performance	Model #.	AST-CLH02E-110WBCA1-acK
	Adjustable Watt	75W / 95W / 110W
	Color Temperature	3000K / 4000K / 5000K
	Max Lumens	14080
	Lumen Efficacy	Up to 128 lm/W
	CRI (Ra)	>80
	Diffuser Type	Clear Cover
Electrical	Light Spread	110°
	Input Voltage	120-277V
	Frequency	50/60Hz
	Dimming	0-10V Dimmable
	PF	≥0.9
	THD	≤20%
	Flicker Percent	<100%
	Equivalent	200W CFL, 250W MHL/HPS/HID
Physical	Driver Surge Protection	L-N: 6kV
	Operating Temperature	-40°C TO 50°C
	Storage Temperature	-40°C TO 80°C
	Operating Humidity	20% - 70% RH
	Storage Humidity	10% - 75% RH
	LED Brand	Lumileds
	LED Type	SMD2835
	LEDs QTY	261 Pcs 3000K + 261 Pcs 5000K
Construction	PC + Aluminum	
Qualification	Housing Color	White
	IP Rating	IP64
	Warranty	5 Years



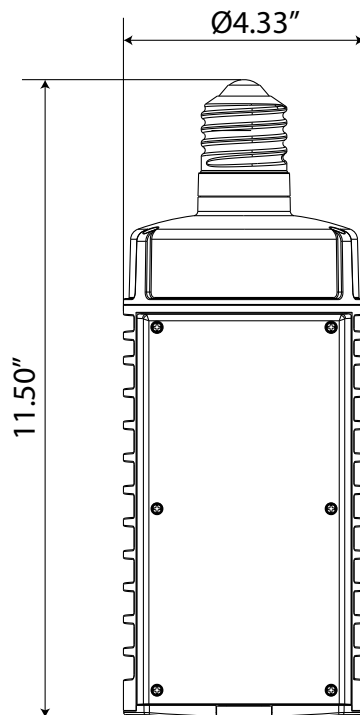
RIDGE™

LED Retrofit Flathead Corn Bulb

Correlated Color Temperature (CCT)



Dimensions





LED Retrofit Flathead Corn Bulb

SKU: 157108 Light Distribution Testing Parameters

Remark: The testing data comes from the product in luminaires

Luminaire Property

Luminaire Manufacture:
 Luminaire Category:
 Lamp Catalog:
 Number of Lamps:
 Luminous Length (mm):
 Luminous Height (mm):
 Current: 0.927 A
 Power Factor: 0.996

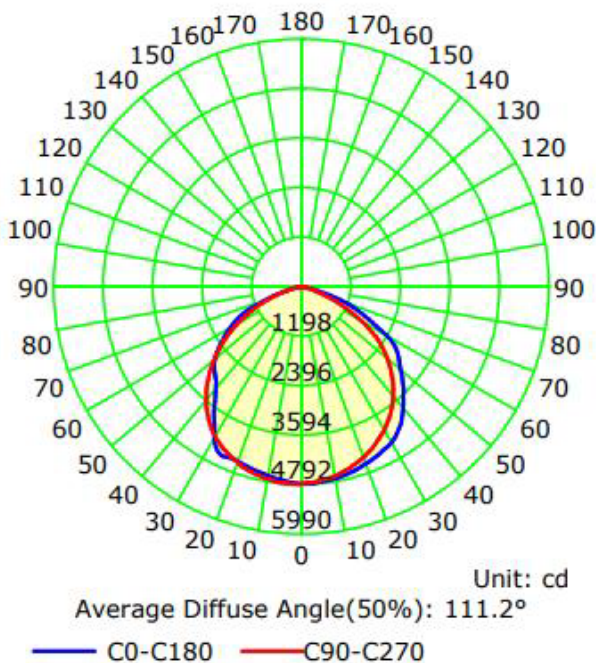
Luminaire Description:
 Lamp Description:
 Luminous Per Lamps:
 Luminous Width (mm):
 Voltage: 120.0 V
 Power: 110.78 W

Photometric Results

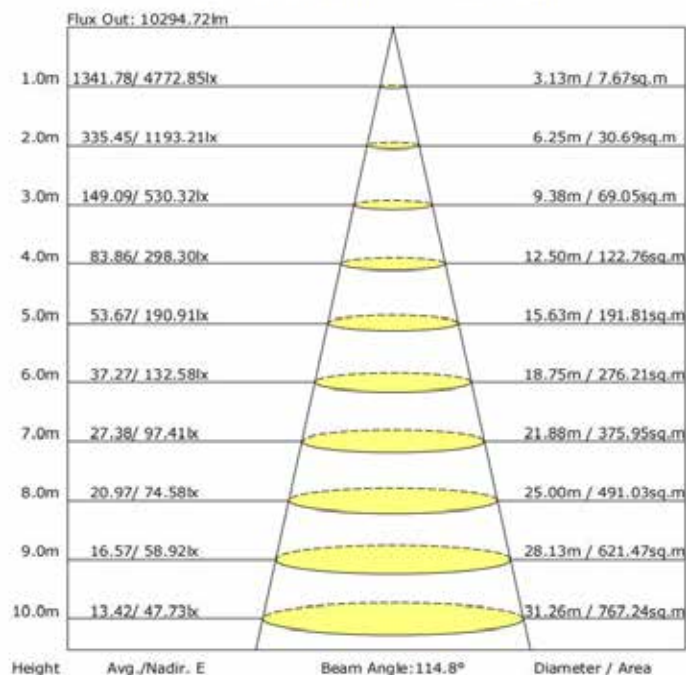
IES Classification: Type II
 Total Rated Lamp Lumens: 12548.7 lm
 Efficiency: 100%
 Upward Ratio: 0%
 C0r0 Intensity: 4772.86 cd
 Pos of Max. Intensity: H292.5 V4
 Beam Angle(C0/C180,C90/C270,C45/C225,C135/315): 114.8, 107.6, 107.5, 107.7

Longitudinal Classification: Very Short
 Measurement Flux: 12548.7 lm
 Downward Ratio: 100%
 Luminaire Efficacy Rating (LER): 113.33
 Max. Intensity: 4792.17 cd

Luminous Intensity Distribution Curve



The Average Illuminance Effective Figure





RIDGE™

LED Retrofit Flathead Corn Bulb

Installation



Do not use any electric generator to test the LED lamp.

Please avoid using the led lamp in environment where there is smoke, sulfur, and corrosive substances. But if it's used in such environment, make sure the led lamp is well protected by an enclosed lampshade with dimension no less than below size, and materials made up of glass, semi-glass, or semi-metallic.

There should be no covering on the surface of the lampshade to block heat dissipation.

Watt	110W
Volume	17.32" x 10.23" x 10.23"

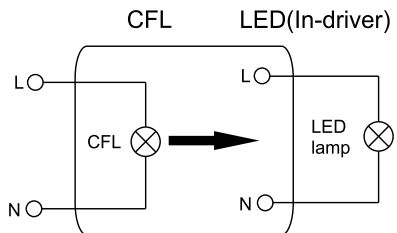


Installation

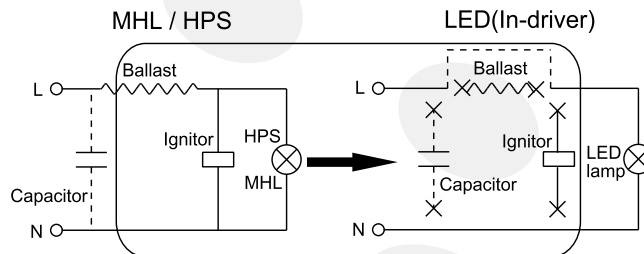
Installation Instructions:

Warning: Please make sure the power is off before installation.

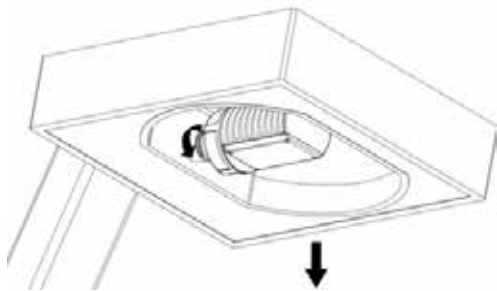
1. Turn off the power.
2. Remove the original lamps like CFL, MHL, or HPS, etc., see Figure (1)(2).
3. Take out the led area lamp and screw it on. After the led area lamp is well tightened, adjust the lamp base slightly to make sure its luminous direction is consistent with the outside fixture, see Figure (3).
Figure (4): AC internal driver, (Note: Pls make sure to take off the ballast before installing led area lamp, otherwise the ballast will produce the resonance of high voltage and makes led area lamp breakdown.)
4. If security rope is provided, pls fix the rope on the lamp with hand, then fix the wire of other end on the shell. There is a support rod for the 75W/95W/110W led lamp, the stretching and retracting operations of the support rod are shown in (Figure 5).
5. Lamp CCT and dimming can be adjusted after removing the plastic cover by hand (Figure 6).
6. Turn on the power. (Installation finished!)



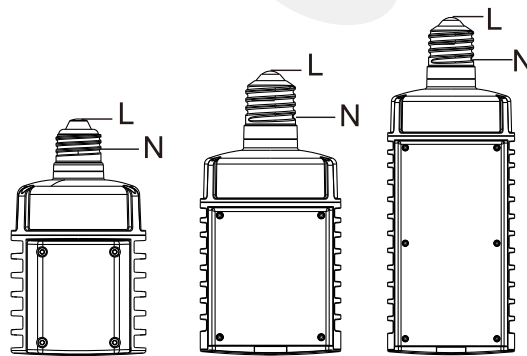
Figure(1)



Figure(2)



Figure(3)



Figure(4)



RIDGE™

LED Retrofit Flathead Corn Bulb

Installation

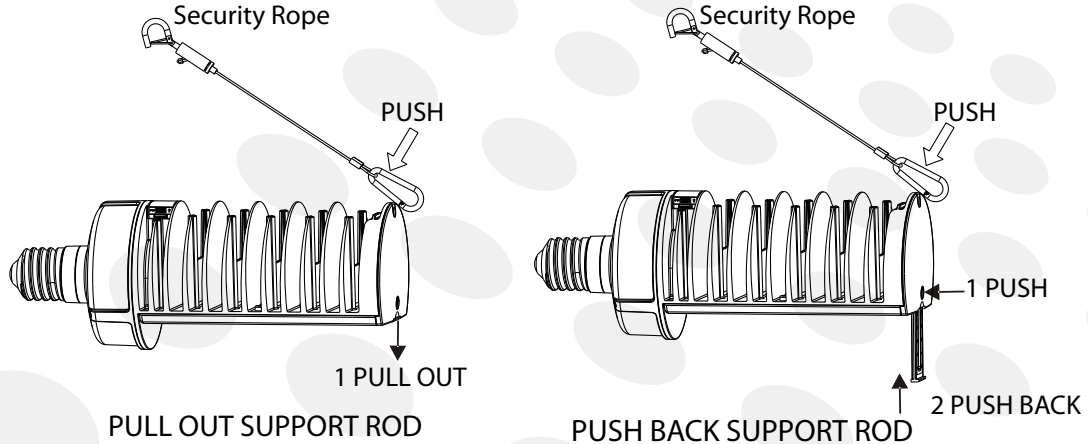
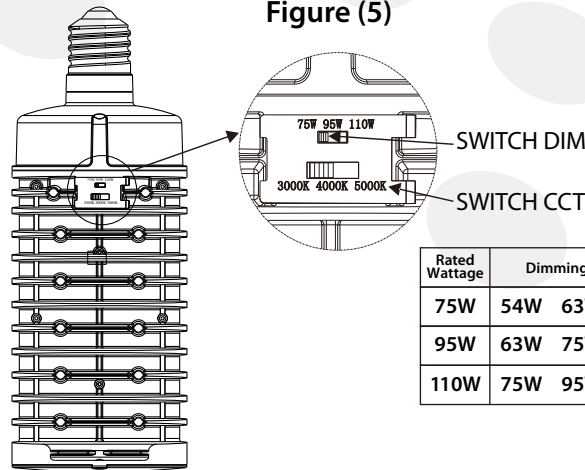


Figure (5)



Rated Wattage	Dimming Mode		
75W	54W	63W	75W
95W	63W	75W	95W
110W	75W	95W	110W

WARNING:

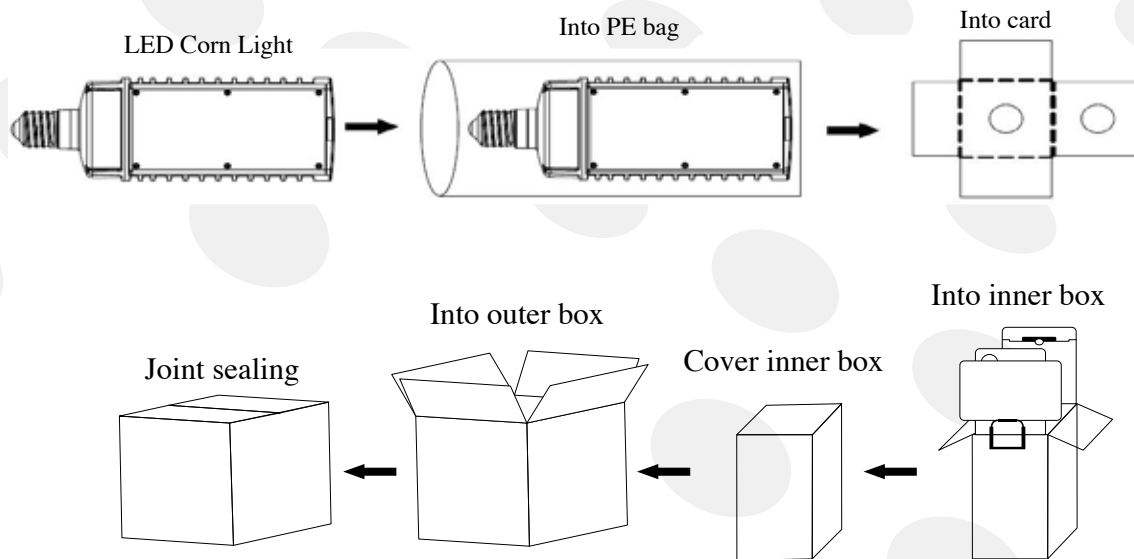
THIS DEVICE IS NOT INTENDED FOR USE WITH EMERGENCY EXITS ADDED WEIGHT OF THE DEVICE MAY CAUSE INSTABILITY OF A FREE-STANDING PORTABLE LUMINAIRE USE ONLY WITH A PORTABLE TABLE LUMINAIRE THAT IS PROVIDED WITH A SHADE.



LED Retrofit Flathead Corn Bulb

Packaging

SKU	Box Type	Box Dimension	Qty	Net Weight	Gross Weight
157108	Inner Box	4.52" x 4.52" x 13"	1P C/Box	3.57LBS	3.95LBS
157108	Outer Box	14.17" x 9.64" x 13.77"	6 PC/Box	21.43LBS	24.89LBS





RIDGE™

LED Retrofit Flathead Corn Bulb

Application Images



LED RETROFIT FLATHEAD CORN BULB

RIDGE™

LED Retrofit Flathead Corn Bulb



Application Images



LED RETROFIT FLATHEAD CORN BULB



RIDGE™

LED Retrofit Flathead Corn Bulb

Application Images



LED RETROFIT FLATHEAD CORN BULB

RIDGE™

LED Retrofit Flathead Corn Bulb



Application Images



LED RETROFIT FLATHEAD CORN BULB

Warranty

This product is covered under a 5-year warranty. For complete warranty details, [Click Here.](#)