



# ELITE™

## 3rd Gen LED Cloud Panel



SKU	Model
157103	ZS-BL22-S40-3065
157110	ZS-BL24-S72-3065
157110-1	ZS-BL24-S72-3065

Beyond LED Technology's ELITE 3rd Gen Panel is a high-performing, cost-effective backlit LED panel designed to deliver ultra-thin, bright, and uniformly distributed light. As one of the most economical solutions on the market, it offers excellent energy efficiency along with adjustable wattage and CCT, making it adaptable to a wide range of lighting environments. Its sleek backlit construction produces soft, ambient lighting that enhances the look and feel of any space. With a slim profile and advanced LED technology, the ELITE 3rd Gen Panel is perfect for both retrofit and new construction applications. Ideal for commercial settings such as offices, hospitals, libraries, hotels, and corridors, it delivers reliable and affordable lighting performance. The panel features a PS lens for consistent, glare-free illumination and supports multiple mounting methods—recessed, suspended, or surface—making it a versatile lighting solution for any project.

### Product Features

- Lumen Varies With Design
- Adjustable wattage
- Adjustable CCT
- 0-10V Dimmable
- 120° Beam Angle
- Super slim, durable design
- Built-in earthquake clips
- Input Voltage 110-277VAC
- ETL listed
- 5-year warranty

# ELITE™

## 3rd Gen LED Cloud Panel



SKU	ADJ. WATT	MAX LUMENS	ADJ. CCT	INPUT VOLTAGE	CRI	SIZE	LIGHT SPREAD	CONSTRUCTION	DIMMING	CERTIFICATIONS
157103	20W/25W/30W/ 35W/40W	Varies with Design	3K/3500K/4K/ 5K/6500K	100-277V	>80	2x2	120°	Metal	0-10V	ETL
157110	30W/40W/50W/ 60W/72W	Varies with Design	3K/3500K/4K/ 5K/6500K	100-277V	>80	2x4	120°	Metal	0-10V	ETL
157110-1	30W/40W/50W/ 60W/72W	Varies with Design	3K/3500K/4K/ 5K/6500K	100-277V	>80	2x4	120°	Metal	0-10V	ETL

### SKU: 157103 / 2x2 Specifications

Parameter	Description	Value
General Performance	Model #	ZS-BL22-S40-3065
	Adjustable Watt	20W/25W/30W/35W/40W
	Max Lumen	Varies With Design
	Lumen Efficacy	Varies With Design
	Color Temperature	3000K/3500K/4000K/5000K/6500K
	CRI (Ra)	>80
	Light Spread	120°
	Diffuser Type	PS Cover
Electrical	Input Voltage	100V-277V
	Frequency	50-60Hz
	Dimming	0-10V
	Power Factor	>0.95
	Flicker Percent	Yes
	THD	<10%
Physical	Operating Temperature	-20°C to 35°C
	Operating Humidity	20% - 75%
	Storage Temperature	N/A
	Storage Humidity	N/A
	LED Brand	Everfine
	LED Type	SMD2835
	LED Qty.	72 Pcs
Construction	Metal	
Qualification	Housing Color	White
	IP Rating	IP20
	Warranty	5 Years

LED CLOUD PANEL



# ELITE™

## 3rd Gen LED Cloud Panel

SKU: 157110 / 157110-1 / 2x4

### Specifications

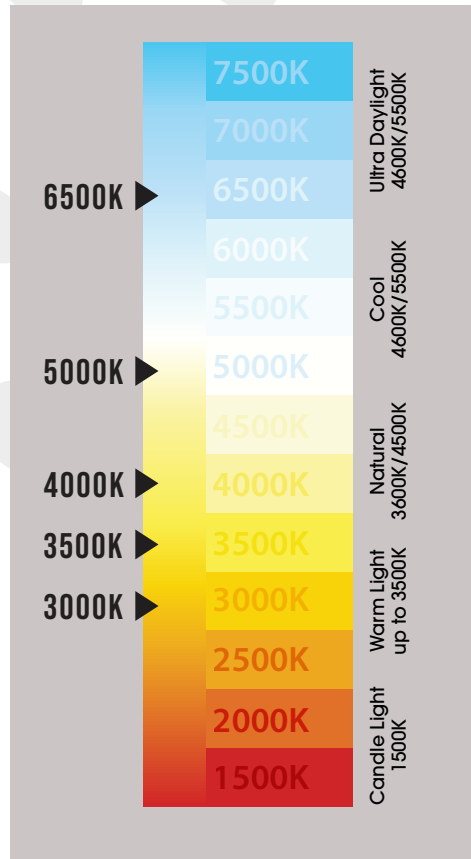
Parameter	Description	Value
General Performance	Model #	ZS-BL24-S72-3065
	Adjustable Watt	30W/40W/50W/60W/72W
	Max Lumen	Varies With Design
	Lumen Efficacy	Varies With Design
	Color Temperature	3000K/3500K/4000K/5000K/6500K
	CRI (Ra)	>80
	Light Spread	120°
	Diffuser Type	PC
Electrical	Input Voltage	100V-277V
	Frequency	50-60Hz
	Dimming	0-10V
	Power Factor	>0.9
	Flicker Percent	Yes
	THD	<10%
Physical	Operating Temperature	-20°C to 35°C
	Operating Humidity	20% - 75%
	Storage Temperature	N/A
	Storage Humidity	N/A
	LED Brand	Everfine
	LED Type	SMD2835
	LED Qty	180 Pcs
Construction	Metal	
Qualification	Housing Color	White
	IP Rating	IP20
	Warranty	5 Years

# ELITE™

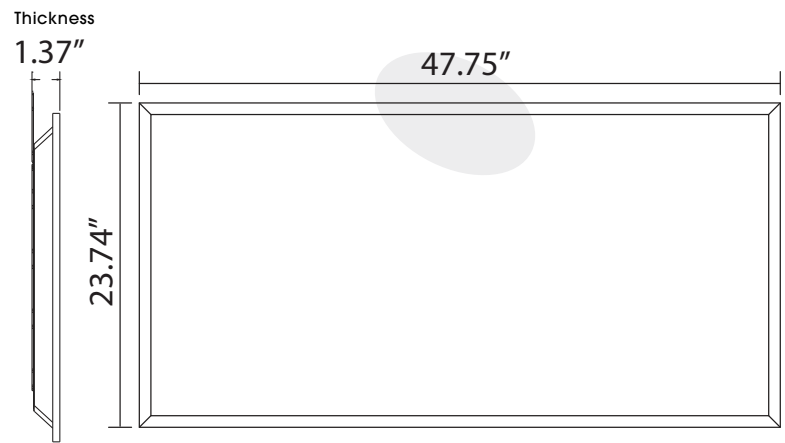
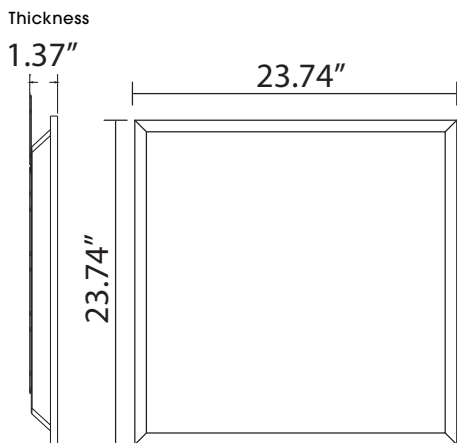
## 3rd Gen LED Cloud Panel



### Correlated Color Temperature (CCT)



### Dimensions



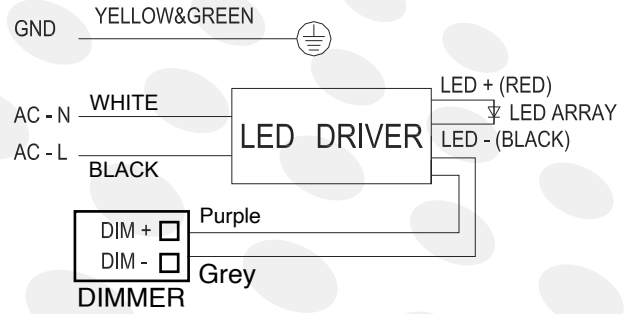
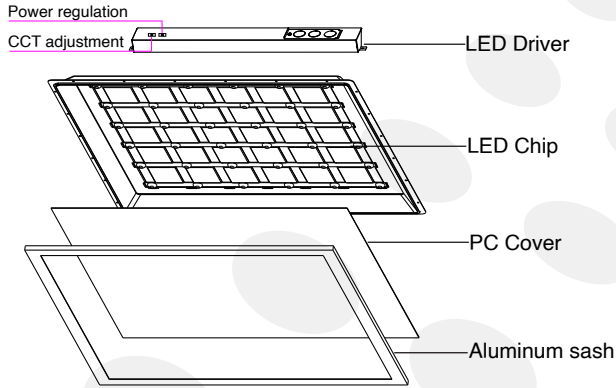
LED CLOUD PANEL



# ELITE™

## 3rd Gen LED Cloud Panel

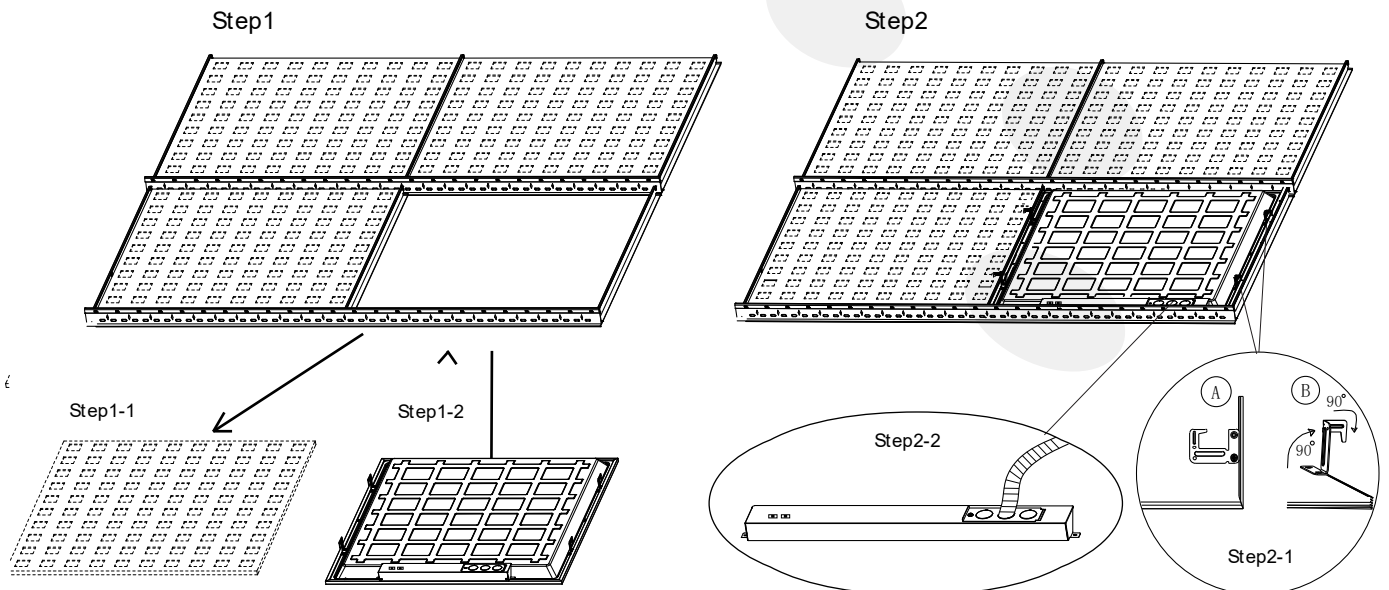
### Installation



#### Electric Shock Attention

Ensure the power supply has been cut off before connecting the wire, and all wiring and installation of this product are required to be operated by professionals.

### INSTALLATION INSTRUCTION



# ELITE™

## 3rd Gen LED Cloud Panel



### Installation

- Step 1:** Make sure of all the power is off before installing. Remove the one ceiling tile that you need to install light fixture on. Then place the light fixture on the T-bar carefully and make sure it is correctly in place and secure.
- Step 2:** Lift the 4 buckles on the back of the panel up by 90° then bend the top part of the buckles 90° towards the direction where you can anchor the light fixture to the T-bar.
- Step 3:** Place the driver on top of the lighting fixture in the back. Connect the cable between the driver and the lighting fixture. Open the driver's junction box and connect the AC wire to the driver correctly (L=black & N=white)

### WARNING:

1. Please read the instructions carefully before installation.
2. Please make sure the power is off before installation.
3. The installation can only be done by certified electricians.
4. Product rated voltage is 100-277Volts. Please make sure voltage range meets the requirements
5. please don't use chemicals to clean the lighting surface.



# ELITE™

## 3rd Gen LED Cloud Panel

### Packaging

SKU	Panel Size	Qty.	Box Dimensions	Net Weight	Gross Weight
157103	2 X 2	4 Pcs/Box	25.6" X 6.1" X 25.6"	15.5 LBS	18.7 LBS
157110	2 X 4	4 Pcs/Box	49.6" x 6.10" x 25.6"	35.3 LBS	39.7 LBS
157110-1	2 X 4	2 Pcs/Box	49.6" x 6.10" x 25.6"	18.7 LBS	20.9 LBS

### Application Image



# ELITE™

3rd Gen  
LED Cloud Panel



## Application Image



LED CLOUD PANEL

## Warranty

This product is covered under a 5-year warranty. For complete warranty details, [Click Here.](#)