



# GLOW PATH - MERIDIAN

## ARCHITECTURAL LED BOLLARD



Meridian Architectural LED Bollard features a refined dome reflector design suited for modern outdoor environments that delivers soft, omni directional light fitting seamlessly into modern outdoor layouts. It supports field-selectable wattage and adjustable CCT, making it adaptable across different lighting conditions while maintaining consistent output with Type V distribution. Designed for reliability, the fixture uses die-cast aluminum with a bronze finish and carries IP65 and IK08 ratings. A built-in photocell allows automatic dusk-to-dawn function without additional controls. Well-suited for landscaped areas, residential communities, and campus pathways.

### PRODUCT FEATURES

- Field-Selectable Wattage 14W/19W/24W
- Adjustable CCT: 3000K / 4000K / 5000K
- Integrated Photocell with ON/OFF Switch
- Available in 43.6 Inches
- 0–10V Dimming
- Type V Distribution
- Up to 70 lm/W
- IP65 Rated
- IK08 Impact Rated
- Die-Cast Aluminum Construction
- Bronze Finish
- Anchor Bolt Mounting
- 5-Year Warranty

### CONTROLS & ACCESSORIES

- Integrated Photocell (Switchable ON/OFF)
- 180° Spill Shield (Select Models)
- Retrofit Mounting Plate

### APPLICATIONS

- Walkways
- Pathways
- Entrance Areas
- Driveways
- Hospitality Properties
- Commercial Landscaping
- Residential Communities
- Parks & Campuses
- Office Complexes

### ELECTRICAL SPECIFICATIONS

- Input Voltage: 120–277VAC
- Power Factor:  $\geq 0.90$
- THD:  $< 20\%$
- CRI:  $> 80$
- Dimming: 0–10V
- Surge Protection: 4KV Standard
- Operating Temperature:  $(-40^{\circ}\text{C}$  to  $+50^{\circ}\text{C})$
- Factory Default: Highest Wattage / Highest CCT / Photocell ON

### MECHANICAL SPECIFICATIONS

- Housing: Die-Cast Aluminum
- Lens: UV-Stabilized Polycarbonate
- Finish: Bronze
- IP Rating: IP65
- Impact Rating: IK08
- Mounting: Anchor Bolt Installation

# GLOW PATH - MERIDIAN

## ARCHITECTURAL LED BOLLARD

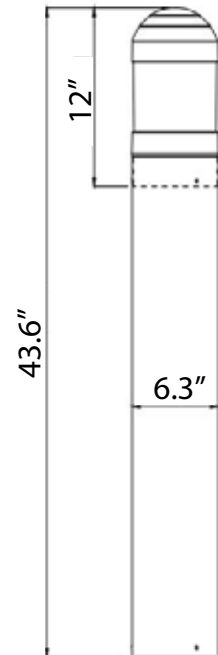


### WHY DISTRIBUTORS CHOOSE GLOW PATH

- Field-Adjustable Wattage & CCT Simplify Stocking
- Photocell Built-In (No Additional SKU Required)
- Architectural Appeal for Premium Projects
- Lower Shipping Volume with Modular Design
- Faster Project Quoting & Fulfillment

### CERTIFICATIONS & COMPLIANCE

- UL Listed
- IP65 Rated
- IK08 Rated



LED BOLLARD

### QUICK SPEC TABLE

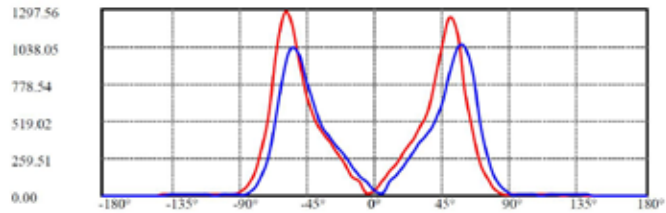
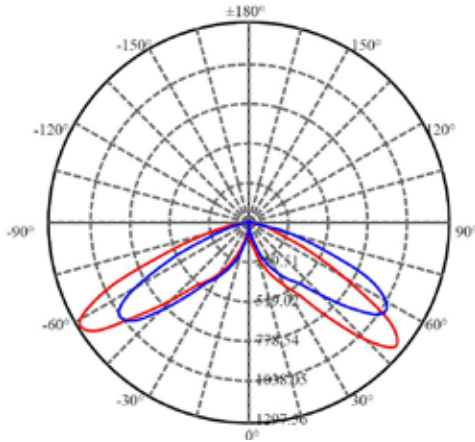
SKU	MODE HEAD	MODEL NUMBER	ADJ. WATT	MAX LUMENS	ADJ. CCT	INPUT VOLTAGE	CRI	SIZE	DISTRIBUTION PATTERN	CONSTRUCTION	DIMMING	IP RATING
157260	MERIDIAN	BR06D-24L-S2D3C3	14W/19W/24W	1680	3K/4K/5K	120-277V	>80	43.6"	Type V	Die-cast Aluminum	0-10V	IP65



# GLOW PATH - MERIDIAN

## ARCHITECTURAL LED BOLLARD

### Photometric Data



C0/C180: —  
 C90/C270: —  
 Field angle(10%Imax):C0/180Left:145.7 Right:139.1  
 :C90/270Left:141.9 Right:143.7  
 Beam Angle(50%Imax):C0/180Left:89.7 Right:83.5  
 :C90/270Left:84.1 Right:88.9

### Installation

#### IMPORTANT SAFETY INFORMATION

- Disconnect power before installing or servicing fixture
- Installation must be performed by a qualified electrician
- Verify supply voltage matches fixture rating
- Ensure proper grounding to prevent electrical shock
- Do not install in wet conditions or during rain
- Maintain IP65 seal integrity after installation
- Do not modify fixture or internal components
- Follow all national and local electrical codes
- Failure to follow instructions may result in injury or property damage

#### GENERAL INSTALLATION NOTES

- Suitable for outdoor use
- Do not energize fixture until all wiring connections are secured
- Do not use portable generators for fixture testing
- Inspect fixture for damage before installation
- Ensure mounting surface is structurally secure

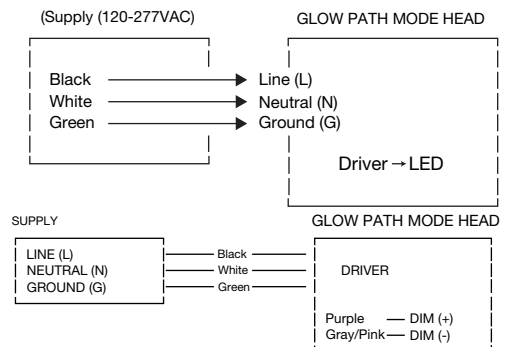
#### WIRING INSTRUCTIONS

##### Line Connections

- LINE (L) - Black
- NEUTRAL (N) - White
- GROUND (G) - Green

##### 0-10V Dimming Leads

- Purple – Dim (+)
- Pink / Gray – Dim (-)



# GLOW PATH - MERIDIAN

## ARCHITECTURAL LED BOLLARD



### Installation

#### FIELD ADJUSTMENT (WATTAGE / CCT / PHOTOCELL)

- Open access panel
- Locate selector switches
- Set desired wattage (14W / 19W / 24W)
- Set desired CCT (3000K / 4000K / 5000K)
- Toggle photocell ON or OFF as required
- Close panel securely before energizing
- Factory default: Highest wattage / Highest CCT / Photocell ON

#### BUILT-IN PHOTOCELL

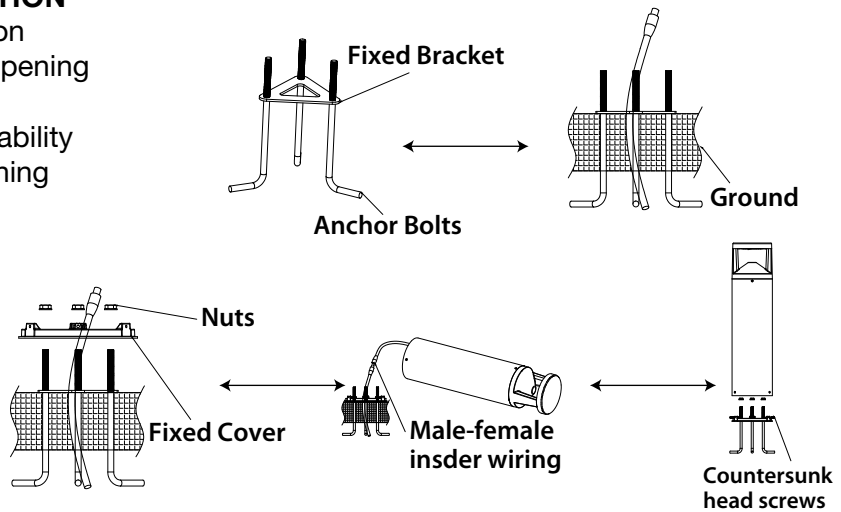
- Auto ON at dusk
- Auto OFF at dawn
- Wall switch must remain ON for photocell function

#### MOUNTING BOLLARD POLE INSTALLATION

- Install anchor bolts into concrete foundation
- Pull supply wires through center conduit opening
- Secure bollard housing onto anchor bolts
- Tighten mounting nuts evenly to ensure stability
- Ensure bollard is plumb before final tightening

#### FINAL CHECK

- Confirm all connections are secure
- Verify voltage
- Ensure adjustment plug is tightened
- Energize circuit
- Confirm proper operation



### Packaging

SKU	Box Dimension	Qty	Net Weight	Gross Weight
157260	8.29" x 8.29" x 15.16"	1 PC/Box	5 LBS	6 LBS
157262	36.34" x 8.27" x 8.39"	1 PC/Box	6.8 LBS	9.5 LBS

#### Warranty

- 5 Years warranty

<https://beyondledtechnology.com/pages/terms-and-conditions>