



# GLOW PATH - HALO

## ARCHITECTURAL LED BOLLARD



Halo Architectural LED Bollard features a wide-brim circular ring head that casts broad, downward-directed light across outdoor spaces. It delivers broad, uniform illumination through Type V distribution, while field-selectable wattage and adjustable CCT provide flexibility for different applications. For outdoor durability, it features die-cast aluminum construction with a bronze finish, along with IP65 and IK08 ratings. The integrated photocell enables automatic dusk-to-dawn lighting based on ambient conditions. Appropriate for entrances, hospitality settings, and commercial exteriors requiring reliable area lighting.

### PRODUCT FEATURES

- Field-Selectable Wattage 14W/19W/24W
- Adjustable CCT: 3000K / 4000K / 5000K
- Integrated Photocell with ON/OFF Switch
- Available in 42 Inches
- 0–10V Dimming
- Type V Distribution
- Up to 120 lm/W
- IP65 Rated
- IK08 Impact Rated
- Die-Cast Aluminum Construction
- Bronze Finish
- Anchor Bolt Mounting
- 5-Year Warranty

### CONTROLS & ACCESSORIES

- Integrated Photocell (Switchable ON/OFF)
- 180° Spill Shield (Select Models)
- Retrofit Mounting Plate

### APPLICATIONS

- Walkways
- Pathways
- Entrance Areas
- Driveways
- Hospitality Properties
- Commercial Landscaping
- Residential Communities
- Parks & Campuses
- Office Complexes

### ELECTRICAL SPECIFICATIONS

- Input Voltage: 120–277VAC
- Power Factor:  $\geq 0.90$
- THD:  $< 20\%$
- CRI:  $> 80$
- Dimming: 0–10V
- Surge Protection: 4KV Standard
- Operating Temperature:  $(-40^{\circ}\text{C}$  to  $+50^{\circ}\text{C})$
- Factory Default: Highest Wattage / Highest CCT / Photocell ON

### MECHANICAL SPECIFICATIONS

- Housing: Die-Cast Aluminum
- Lens: UV-Stabilized Polycarbonate
- Finish: Bronze
- IP Rating: IP65
- Impact Rating: IK08
- Mounting: Anchor Bolt Installation

# GLOW PATH - HALO

## ARCHITECTURAL LED BOLLARD

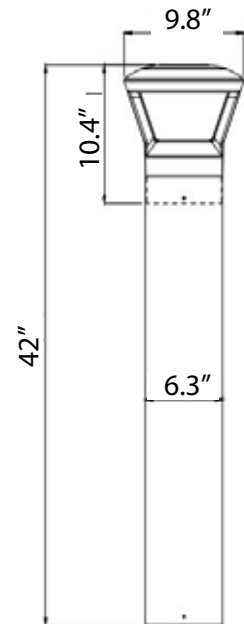


### WHY DISTRIBUTORS CHOOSE GLOW PATH

- Field-Adjustable Wattage & CCT Simplify Stocking
- Photocell Built-In (No Additional SKU Required)
- DLC Eligible Models
- Architectural Appeal for Premium Projects
- Lower Shipping Volume with Modular Design
- Faster Project Quoting & Fulfillment

### CERTIFICATIONS & COMPLIANCE

- UL Listed
- DLC Qualified
- IP65 Rated
- IK08 Rated



### QUICK SPEC TABLE

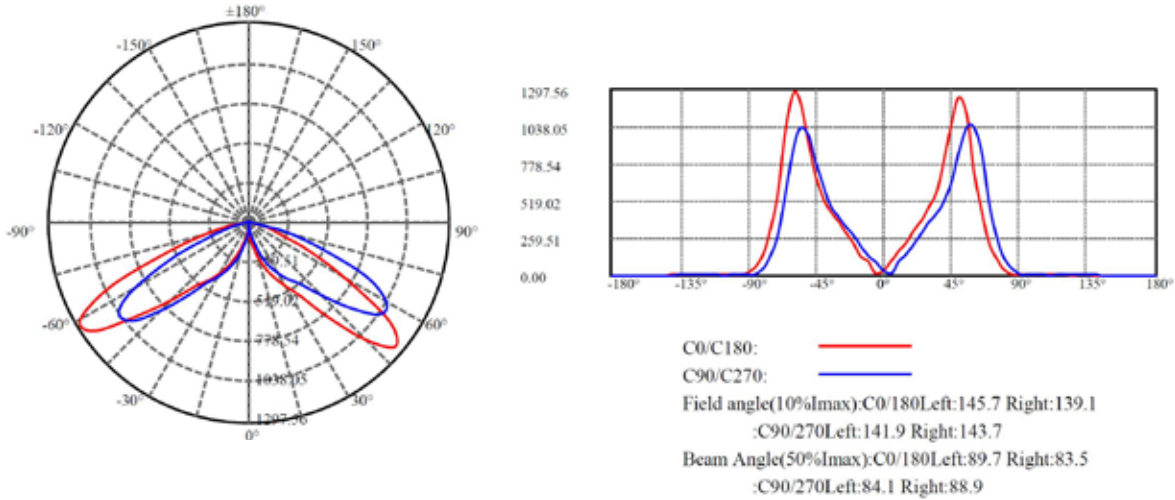
SKU	MODE HEAD	MODEL NUMBER	ADJ. WATT	MAX LUMENS	ADJ. CCT	INPUT VOLTAGE	CRI	SIZE	DISTRIBUTION PATTERN	CONSTRUCTION	DIMMING	IP RATING
157261	HALO	BR06E-24L-S2D3C3	14W/19W/24W	2880	3K/4K/5K	120-277V	>80	42"	Type V	Die-cast Aluminum	0-10V	IP65



# GLOW PATH - HALO

## ARCHITECTURAL LED BOLLARD

### Photometric Data



### Installation

#### IMPORTANT SAFETY INFORMATION

- Disconnect power before installing or servicing fixture
- Installation must be performed by a qualified electrician
- Verify supply voltage matches fixture rating
- Ensure proper grounding to prevent electrical shock
- Do not install in wet conditions or during rain
- Maintain IP65 seal integrity after installation
- Do not modify fixture or internal components
- Follow all national and local electrical codes
- Failure to follow instructions may result in injury or property damage

#### GENERAL INSTALLATION NOTES

- Suitable for outdoor use
- Do not energize fixture until all wiring connections are secured
- Do not use portable generators for fixture testing
- Inspect fixture for damage before installation
- Ensure mounting surface is structurally secure

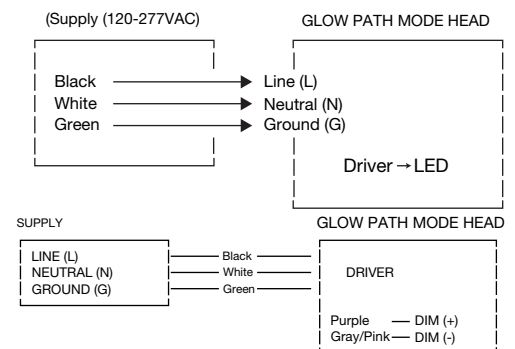
#### WIRING INSTRUCTIONS

##### Line Connections

- LINE (L) - Black
- NEUTRAL (N) - White
- GROUND (G) - Green

##### 0-10V Dimming Leads

- Purple - Dim (+)
- Pink / Gray - Dim (-)



# GLOW PATH - HALO

## ARCHITECTURAL LED BOLLARD



### Installation

#### FIELD ADJUSTMENT (WATTAGE / CCT / PHOTOCELL)

- Open access panel
- Locate selector switches
- Set desired wattage (14W / 19W / 24W)
- Set desired CCT (3000K / 4000K / 5000K)
- Toggle photocell ON or OFF as required
- Close panel securely before energizing
- Factory default: Highest wattage / Highest CCT / Photocell ON

#### BUILT-IN PHOTOCELL

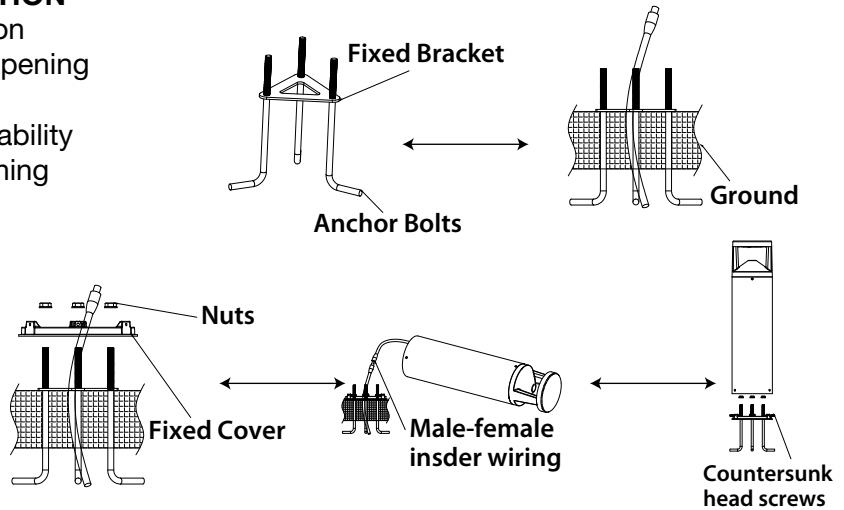
- Auto ON at dusk
- Auto OFF at dawn
- Wall switch must remain ON for photocell function

#### MOUNTING BOLLARD POLE INSTALLATION

- Install anchor bolts into concrete foundation
- Pull supply wires through center conduit opening
- Secure bollard housing onto anchor bolts
- Tighten mounting nuts evenly to ensure stability
- Ensure bollard is plumb before final tightening

#### FINAL CHECK

- Confirm all connections are secure
- Verify voltage
- Ensure adjustment plug is tightened
- Energize circuit
- Confirm proper operation



### Packaging

SKU	Box Dimension	Qty	Net Weight	Gross Weight
157261	11.58" x 11.58" x 13.70"	1 PC/Box	6.8 LBS	7 LBS
157262	36.34" x 8.27" x 8.39"	1 PC/Box	6.8 LBS	9.5 LBS

#### Warranty

- 5 Years warranty

<https://beyondledtechnology.com/pages/terms-and-conditions>