



Offering up to 48A charging power w/ built-in SWTCH software. Perfect EV charging solution for multi-unit housing, commercial, retail or municipal properties. Pedestals and mounting options are all made in the USA.

- 4G LTE or Ethernet Communication utilizing OCPP 1.6J (Open Charge Point Protocol) cloud based EV charging management software.
- Includes SWTCH cloud based management software and mobile apps.
- 48A/11.5 kW max output, can be adjusted to 40A, 32A, or 16A.
- High brightness 4.3in LCD display.
- RFID card reader for user authentication (requires enabling).
- 40A & 48A cable sets are available in 12 FT, 18 FT & 25 FT lengths.

## SWTCH included

multiple mounting options — see pg 3

[swtchenergy.com](http://swtchenergy.com)

MOBILE APP  
DRIVER RESERVATIONS  
DRIVER RFID CARD

24/7 DRIVER SUPPORT  
ON-BOARDING SUPPORT  
LOITERING ENFORCEMENT

TIME-OF-USE RATES  
TIME BASED CONTROL  
LOAD MANAGEMENT

REAL-TIME CHARGING INSIGHTS  
COMPREHENSIVE REPORTING  
DETAILED REVENUE TRACKING

CUSTOMIZABLE PRICING  
MULTI-SITE MANAGEMENT  
USER ANALYTICS

O&M SERVICE  
OPEN-ADR CERTIFIED  
AND MUCH MORE....



SINGLE PHASE



NETWORK CONNECTIVITY



MAX OUTPUT



NATURAL COOLING



OPERATING TEMP



INGRESS PROTECTION



IMPACT RESISTANCE



ANTI UV PAINT

### ALL-IN-ONE KIT (INCLUDES CHARGER W/ 18 FT, 48A CABLE SET)

PART #	CHRG AMPS	CONNECTOR	NETWORK	USER INTERFACE	OCPP SOFTWARE**	UNIT DIMENSIONS
EVC-L2-P48-18-SC1	UP TO 48A	SAE J1772	ETHERNET/ RFID/4G	LCD DISPLAY	1YR SWTCH	9.8" x 13.8" x 5.1"

### CHARGER ONLY (CABLES AND MOUNTING OPTIONS ON PAGE 2)

EVC-L2-P48-SC1	UP TO 48A	SAE J1772	ETHERNET/ RFID/4G	LCD DISPLAY	1YR SWTCH	9.8" x 13.8" x 5.1"
EVC-L2-P48-SC5					5YR SWTCH	

\* 5 YEAR EXTENDED WARRANTY AVAILABLE. CONTACT SALES REPRESENTATIVE  
\*\* 2,3 & 4 YR SWTCH PLANS AVAILABLE

## Light Efficient Design.

847.380.3540 • [led-llc.com](http://led-llc.com) • [sales@led-llc.com](mailto:sales@led-llc.com)





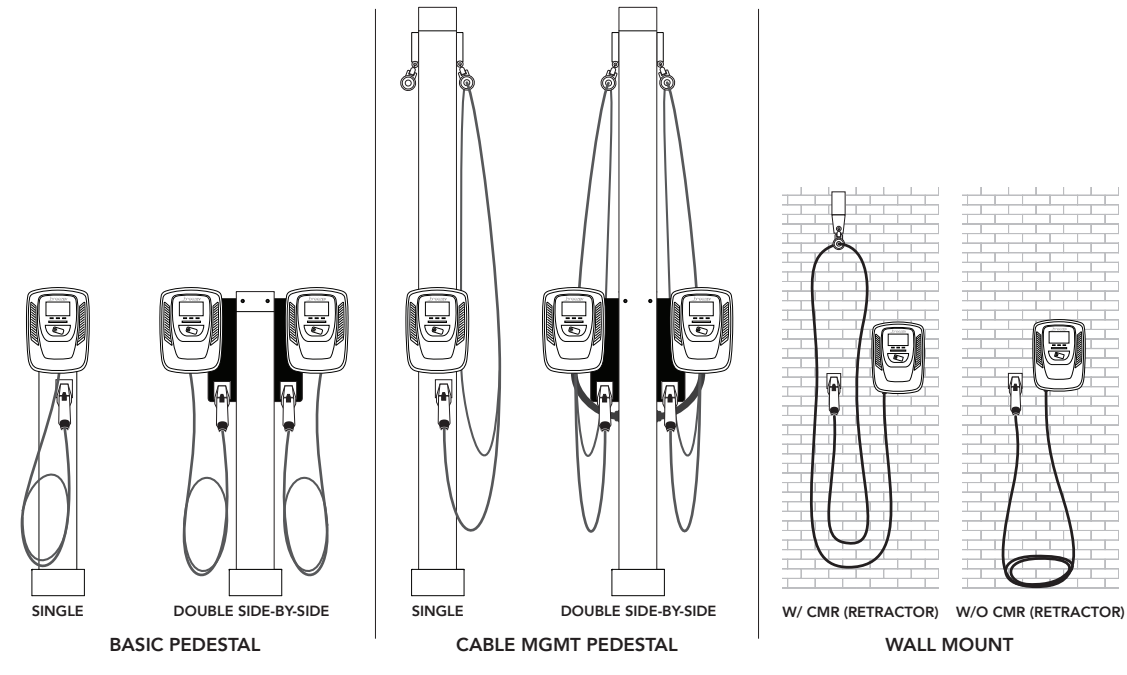
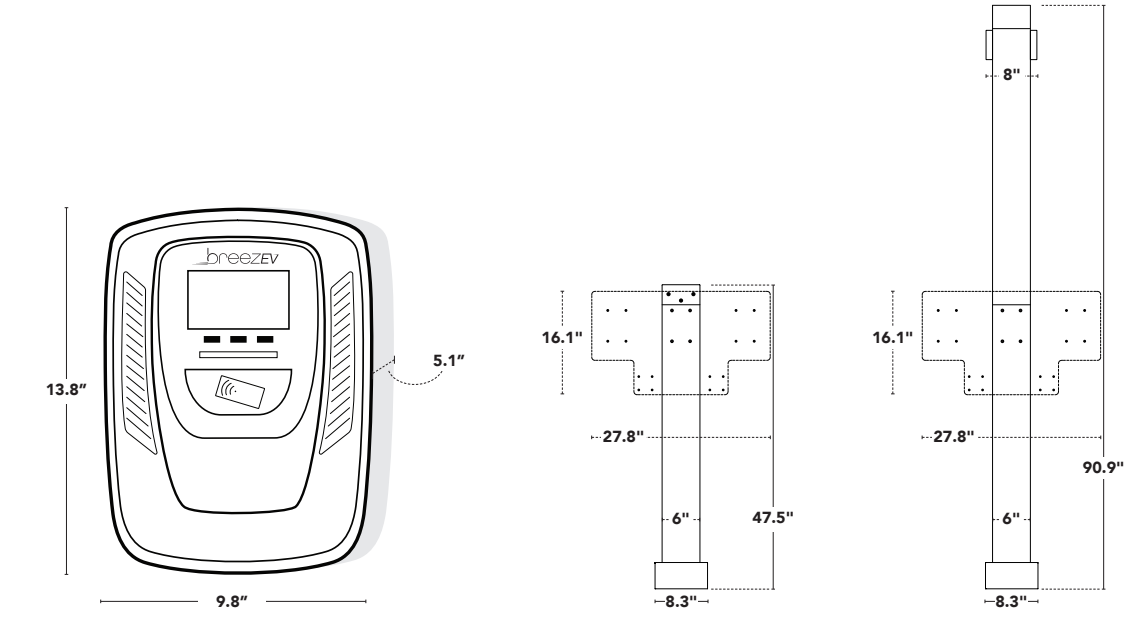
PART #	DESCRIPTION	QTY
EVC-L2-P48-SC1	48A MAX CHARGER, SCREEN, RFID, 4G CELLULAR, WALL-MNT, SWITCH 1YR PLAN	2
EVC-L2-ACC-CM-G2	CABLE MANAGEMENT FOR PEDESTAL W/ 2 RETRACTORS	1
EVC-L2-ACC-SSB-G2	BRACKET FOR SIDE-BY-SIDE CHARGERS	1
EVC-L2-ACC-LPK-G2	LOWER PEDESTAL KIT	1

PART #	DESCRIPTION	PART #	DESCRIPTION
<b>CABLE SETS</b>			
EVC-L2-CBL-40A-L1-1-12x10	40A CABLE SET, 12 FT LENGTH, 10AWG	EVC-L2-CBL-48A-L1-1-12x8	48A CABLE SET, 12 FT LENGTH, 8AWG
EVC-L2-CBL-40A-L1-1-18x10	40A CABLE SET, 18 FT LENGTH, 10AWG	EVC-L2-CBL-48A-L1-1-18x8	48A CABLE SET, 18 FT LENGTH, 8AWG
EVC-L2-CBL-40A-L1-1-25x10	40A CABLE SET, 25 FT LENGTH, 10AWG	EVC-L2-CBL-48A-L1-1-25x8	48A CABLE SET, 25 FT LENGTH, 8AWG
<b>PEDESTALS / ACCESSORIES</b>			
EVC-L2-ACC-LPK2	LOWER PEDESTAL KIT FOR L2 CHARGER	EVC-L2-ACC-CM-G2	CABLE MGMT FOR PEDESTAL W/ 2 RETRACTORS
EVC-L2-ACC-SSB	BRACKET FOR SIDE-BY-SIDE CHARGERS	EVC-L2-ACC-CMR	CABLE RETRACTOR W/ SPRING LOADED TETHER
EVC-L2-ACC-ANCHOR KIT WET	WET CONCRETE ANCHOR KIT	EVC-L2-ACC-HAD	HOOK/HOLSTER FOR FOR WALL MOUNTING
EVC-L2-ACC-MAKE READY-G2	CHARGING STATION FOUNDATION		

<b>ELECTRICAL PROTECTIONS INCLUDED</b>			
OVER CURRENT	UNDER VOLTAGE / OVER VOLTAGE	SHORT CIRCUIT	GROUND FAULT
RESIDUAL CURRENT	SURGE PROTECTION	OVER TEMPERATURE	CURRENT LEAKAGE PROTECTION

**Light Efficient Design.**

847.380.3540 • led-llc.com • sales@led-llc.com



**Light Efficient Design.**

847.380.3540 • led-llc.com • sales@led-llc.com