

## WARNINGS



### RISK OF FIRE, ELECTRICAL SHOCK, CUTS OR OTHER CASUALTY HAZARDS

Installation and maintenance of this product must be performed by a qualified electrician. This product must be installed in accordance with the applicable installation code by a person familiar with the construction and operation of the product and hazards involved.

### RISK OF FIRE AND ELECTRIC SHOCK

Make certain power is OFF before starting installation or attempting any maintenance. Disconnect power at fuse or circuit breaker.

### RISK OF FIRE

Refer to product label for specific minimum supply conductor requirements.

### RISK OF BURN

Disconnect power and allow fixture to cool before handling or servicing.

### RISK OF PERSONAL INJURY

Fixture may become damaged and/or unstable if not installed properly.

**DISCLAIMER OF LIABILITY:** CSC LED assumes no liability for damages or losses of any kind that may arise from the improper, careless, or negligent installation, handling or use of this product.

**SAFETY:** This fixture must be wired in accordance with the National Electrical Code and applicable local codes and ordinances. Proper grounding is required to insure personal safety. Carefully observe grounding procedure under installation section.

**APPLICATIONS:** This lighting fixture is designed for outdoor lighting services, and should not be used in area of limited ventilation or inside high ambient temperature enclosures. It must be stored in a dry location prior to installation. Do not expose lighting fixture to rain, dust or other environmental conditions prior to installation and insertion of photo control or shorting cap (if so equipped). Best results will be obtained if installed and maintained according to the following recommendations.

**ATTENTION RECEIVING DEPARTMENT:** Note actual fixture description of any shortage or noticeable damage on delivery receipt. File claim for common carrier (LTL) directly with carrier. Claims for concealed damage must be filed within 15 days of delivery. All damaged material, complete with original packing must be retained.

**IMPORTANT: Apply a bead of silicone to the top and side of the fixture where it meets the wall or mounting surface to prevent water ingress from the back of the fixture. FAILURE TO DO SO WILL VOID WARRANTY.**

## CAUTION

Please read the installation instructions carefully before installing and keep these instructions for future reference. Failure to follow proper installation instructions may void the product warranty.

1. Do not use electric generator to test the LED light.
2. Wear gloves to avoid injury before installation.

## INSTALLATION INSTRUCTIONS

1. Secure the mounting bracket to the junction box using the provided screws (Fig. 1).
2. Attach the provided foam pad to the back of the fixture by peeling off the adhesive (Fig. 2). Attach the safety cable to the mounting bracket.
3. Make wiring connections. Black wire to line, white wire to neutral (Fig. 3).
4. Remove the rubber cap and secure the light to the bracket with the provided screw (Fig. 4). Put the rubber cap back on once complete.
5. Apply caulking around the base of the fixture.
6. Adjust the LED heads direction by rotating and tilting the LED heads.

Fig. 1

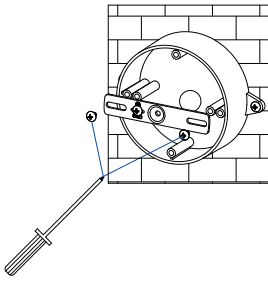


Fig. 2

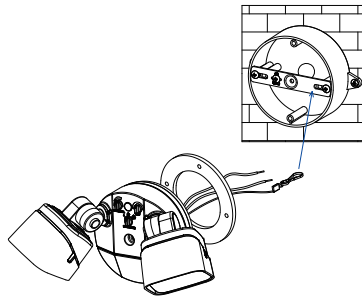


Fig. 3

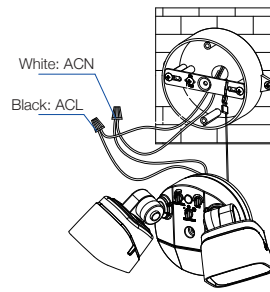
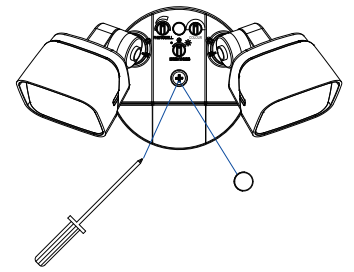


Fig. 4



## PRODUCT FUNCTION DESCRIPTIONS

### Dusk to Dawn:

**Function Description:** Light will turn on at dusk, and turn off at dawn, regardless of motion detected.

1. Rotate the **MOTION** knob all the way to the left. This deactivates the motion sensor.
2. Set the **PHOTOCELL** knob to anything except all the way to the left. The further to the right, the more sensitive (less daylight required to activate the photocell).
3. Set the **BRIGHTNESS** knob to the middle for 16W, or to the right for 25W.
4. Set the **TIME** knob to anything except **TEST**. The time setting won't be activated in this mode.

### Always On:

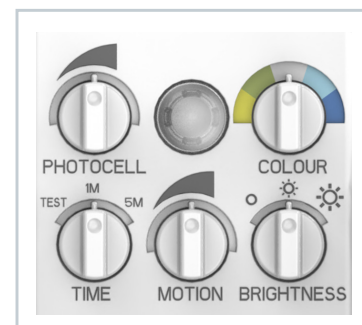
**Function Description:** Light will always be on, unless power to light is switched off.

1. Rotate the **PHOTOCELL** knob all the way to the left. This deactivates the photocell.
2. Rotate the **MOTION** knob all the way to the left. This deactivates the motion sensor.
3. Set the **BRIGHTNESS** knob to the middle for 16W, or to the right for 25W.

### AUTO (Dusk to Dawn + Motion Sensor):

**Function Description:** Light will turn on at dusk if motion is detected. Will stay on according to its time and brightness settings. Won't turn on during the daytime, regardless of motion detected.

1. Set the **PHOTOCELL** knob to anything except all the way to the left. The further to the right, the more sensitive (less daylight required to activate the photocell).
2. Set the **TIME** knob to **1M** for 1 minute hold time, or **5M** for 5 minutes hold time. The **TEST** setting represents 5 seconds.
3. Set the **MOTION** knob to anything except all the way to the left. The further to the right, the more sensitive.
4. **BRIGHTNESS** Settings:
  - Left:** 25W, then turns off after hold time
  - Middle:** 16W, then drops to 10% after hold time.
  - Right:** 25W, then drops to 10% after hold time



### CCT Settings:

Set the **CCT** by rotating the **COLOUR** knob. You will hear and feel a click when making each selection. From left to right: 2700K, 3000K, 3500K, 4000K, 5000K.