

# 40W Linear Explosion-Proof Fixture

5000K | 2' | 120-277V

Suitable for hazardous environments where flammable gases, vapours, and liquids may exist. Also suited for wet locations, marine environments, and high vibration applications.



UL Hazloc  
C1, D2, (Groups A,B,C,D)  
UL844, UL1598, UL 8750



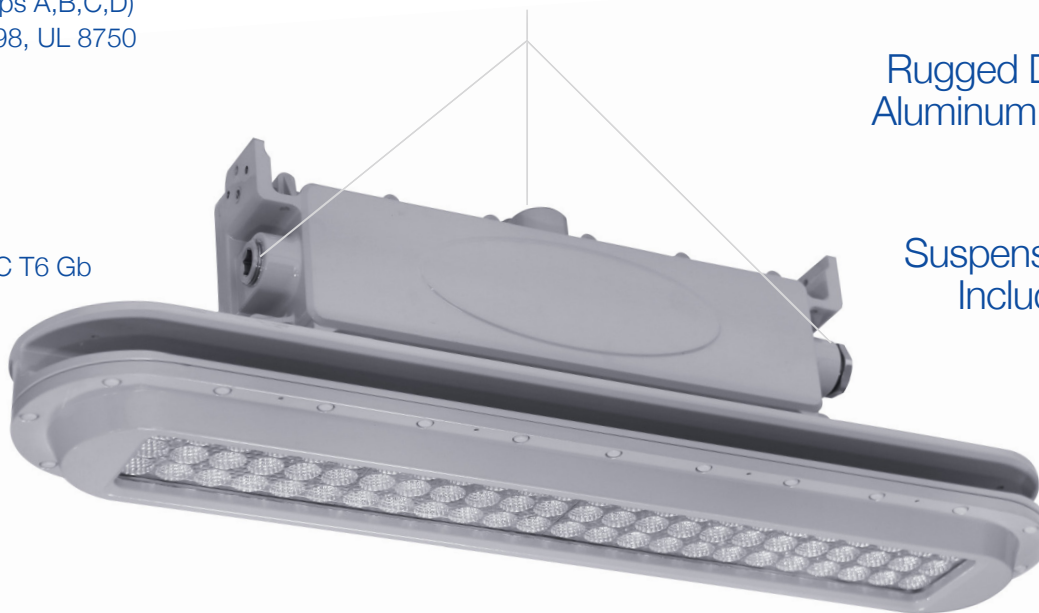
Atex  
II 2 G Ex db IIC T6 Gb

3 x 3/4" NPT  
Conduit Entry Points  
for added flexibility

IP66 Driver In  
Separate Compartment  
10KV surge protection

Rugged Die Cast  
Aluminum Housing

Suspension Kit  
Included



Tempered Glass Lens  
allows for soft, uniform light

Faceted Reflectors  
in each LED chip for glare  
control and beam precision



Petrochemical  
Processing



Mines



Paint  
Booths



Docks  
and Shipyards



Auto Shops



Yoke Mount  
Ordered Separately  
EXPL-YK-GR

## TECHNICAL DATA



### LIGHT SPECIFICATIONS

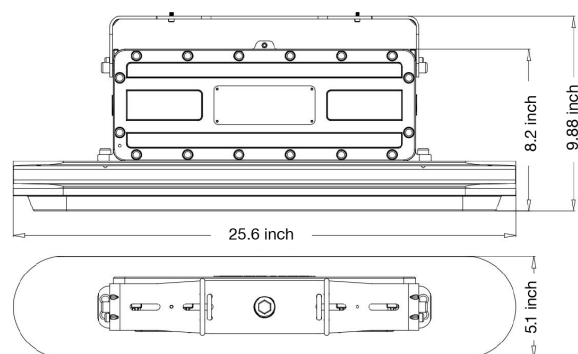
Lumens	5,881 lm
Efficacy	130 lm/W
CCT	5000K
CRI	>70
L70 Life	50,000 hrs
Dimmable	Yes
Warranty	5-year

### APPROVALS AND LISTINGS

cUL	E517285
-----	---------

### DIMENSIONS

(Shown with Optional Yoke Mount)



### SUGGESTED SUBSTITUTION

EXPL-80W-4FT-50K-GR



### ELECTRICAL

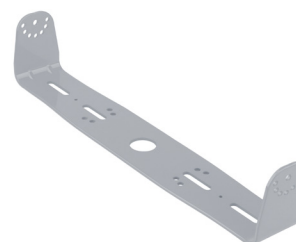
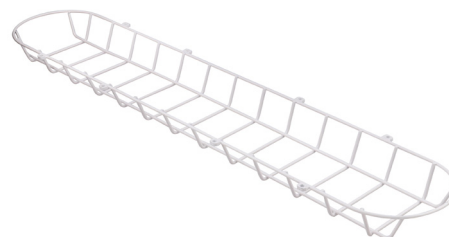
Wattage	40W
Voltage	100-277V
Power Factor	0.99
THD	<20%
Operating Temp	-40 to 65°C

### CONSTRUCTION

Housing	Aluminum
Cover	Glass
Finish	Grey
IP Rating	IP66
Length	2'
Net Weight	23.6 lbs
Gross Weight	27.6 lbs
Carton Qty	1
Carton Dimensions	29.9" x 8.7" x 12"

### ACCESSORIES (Ordered Separately)

Wireguard	EXPL-WG-2FT
Yoke Mount	EXPL-YK-GR



HEAD OFFICE: 8 - 540 Jamieson Pkwy, Cambridge, ON, N3C 0G5 | [orders@csc-led.com](mailto:orders@csc-led.com) | (519) 880 - 9833