

150W Round Explosion-Proof Fixture

5000K | 120-277V

Suitable for hazardous environments where flammable gases, vapours, and liquids may exist. Also suited for wet locations, marine environments, and high vibration applications.



UL Hazloc
C1, D2, (Groups A,B,C,D)
UL844, UL1598, UL 8750



Atex
II 2 G Ex db IIC T6 Gb

IP66 Driver in
Separate Compartment
10KV surge protection



Tempered Glass Lens
allows for soft, uniform light

Faceted Reflectors
in each LED chip for glare
control and beam precision

Rugged Die Cast
Aluminum Housing



Optional Wireguard
Ordered Separately
EXPR-WG-LG



TECHNICAL DATA



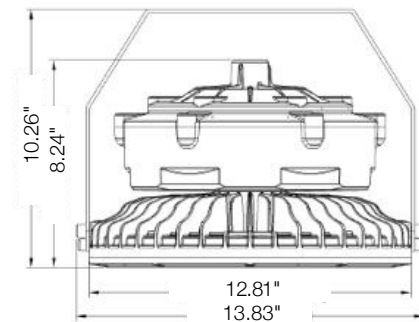
LIGHT SPECIFICATIONS

Lumens	23,834 lm
Efficacy	130 lm/W
CCT	5000K
CRI	>80
Viewing Angle	110°
L70 Life	50,000 hrs
Dimmable	No
Warranty	5-year

APPROVALS AND LISTINGS

cUL	E517285
-----	---------

DIMENSIONS



ELECTRICAL

Wattage	150W
Voltage	120-277V
Power Factor	0.99
THD	<20%
Operating Temp	-40 to 55°C

CONSTRUCTION

Housing	Aluminum
Cover	Glass
Finish	Grey
IP Rating	IP66
Net Weight	9.2 lbs
Gross Weight	19.7 lbs
Carton Qty	1
Carton Dimensions	15.7" X 15.7" X 13.6"

ACCESSORIES (Ordered Separately)

Wireguard	EXPR-WG-LG
-----------	------------



SUGGESTED SUBSTITUTIONS

EXPR-60W-50K-GR
EXPR-100W-50K-GR