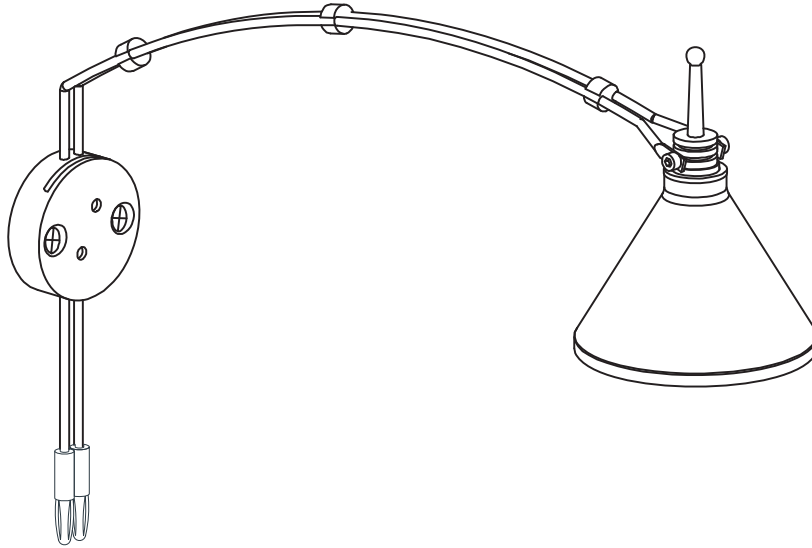
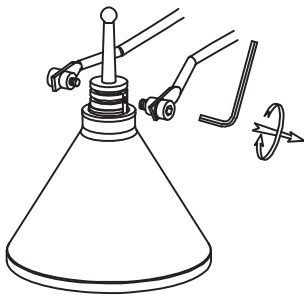




# HPIC11 & HPIC18



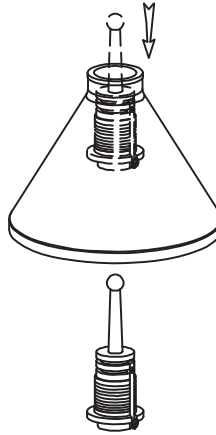
1



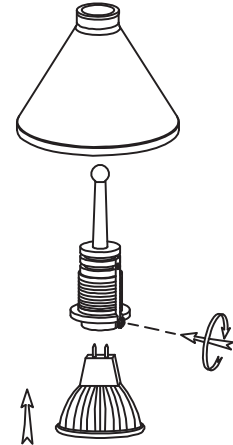
Screws must always be tight.  
Loose screws will cause arching  
and melting of socket.  
Les vis doivent demeurer serrées.  
Des vis desserrées causeront la  
déformation et la fonte de la douille.

**BULB / AMPOULE**  
50W Max MR16/CG HPIC18  
20W Max MR16/CG HPIC11  
(included / inclus)  
C/w covered glass.  
Vient avec une vitre de protection.

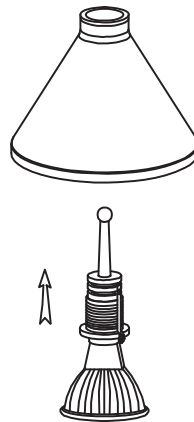
2



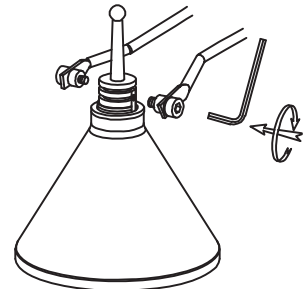
3



4



5

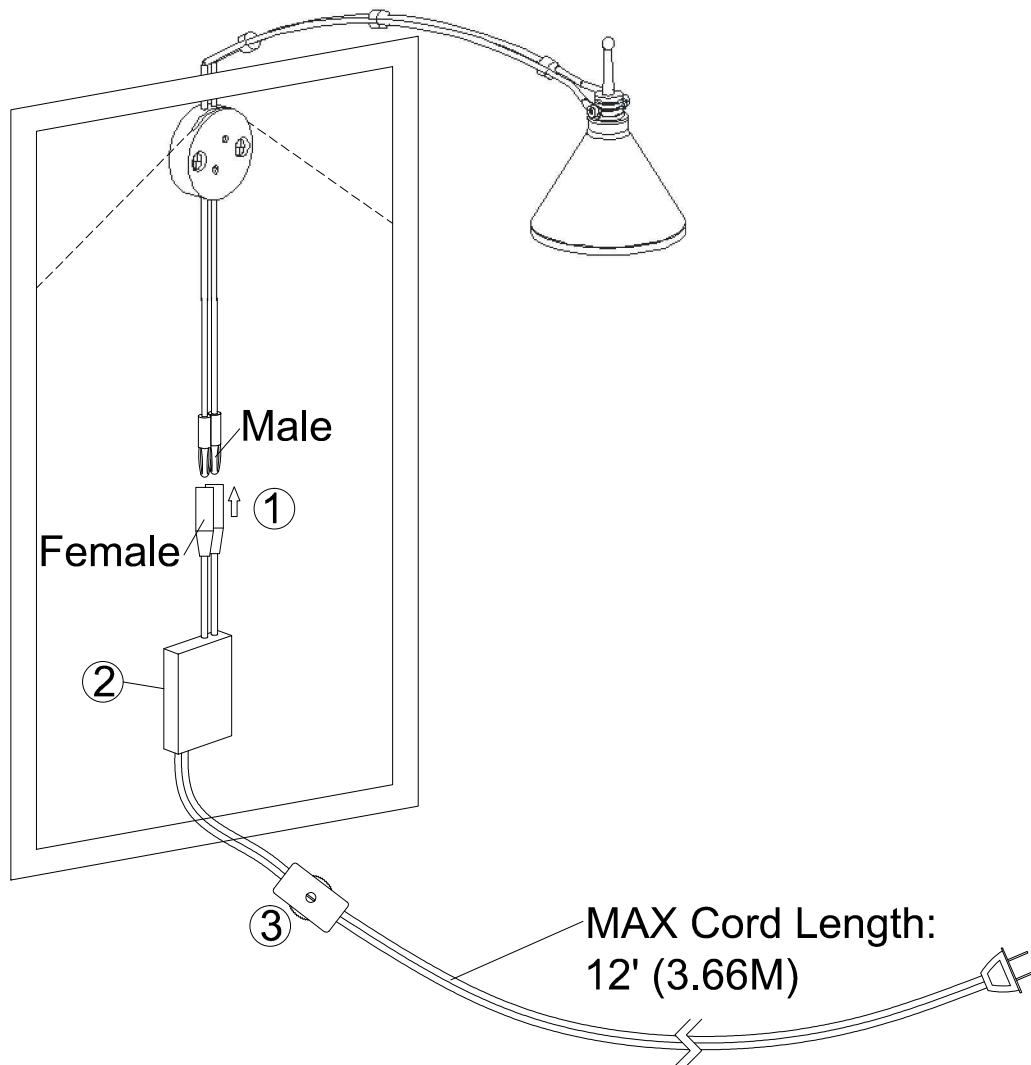




# HPIC11 & HPIC18

## Plug-in Mounting Instructions

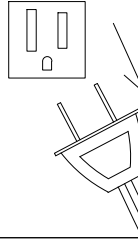
- 1) Connect the 12V leads from the transformer to the banana connectors on lamp.
- 2) Use double-sided tape to hold transformer to the wall.
- 3) Install switch at desired height (see "DMPI60-JK-WH" instruction page).
- 4) Plug into polarized wall socket.



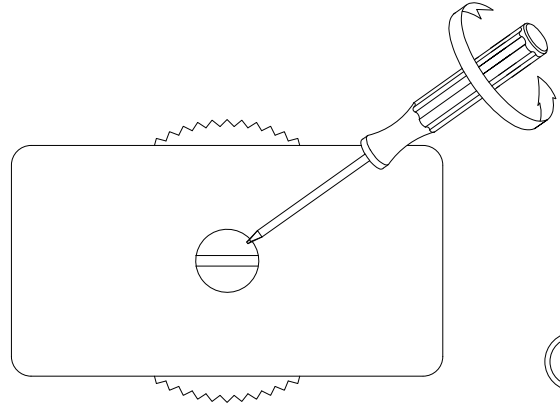


# DMPI60-JK-WH

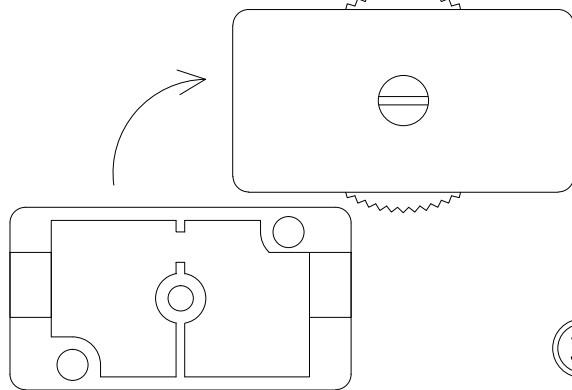
Do Not Plug In Until Switch Is Connected/  
Ne Pas Brancher Avant Que Le Interrupteur  
Ne Soit Connecté



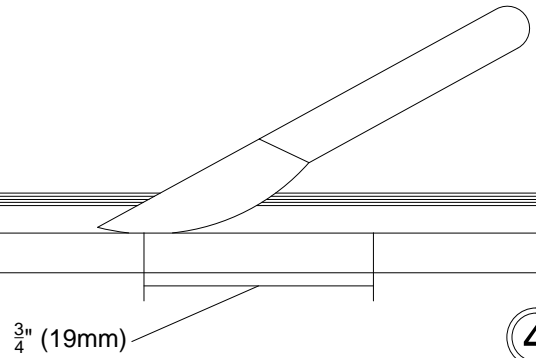
①



②

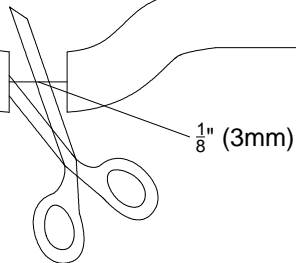


③

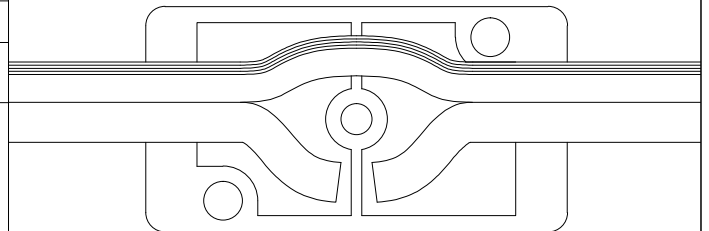


④

Cut Smooth Side Only/  
Couper Le Côté Lisse  
Seulement

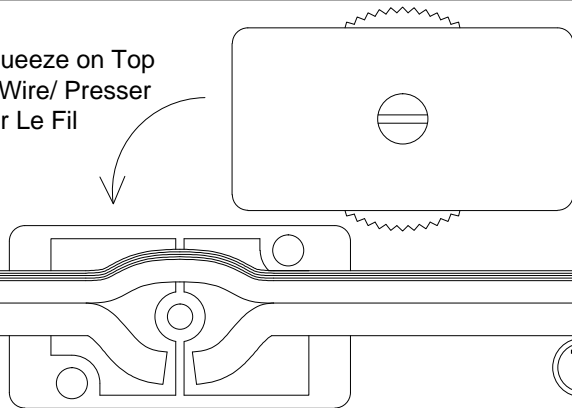


⑤

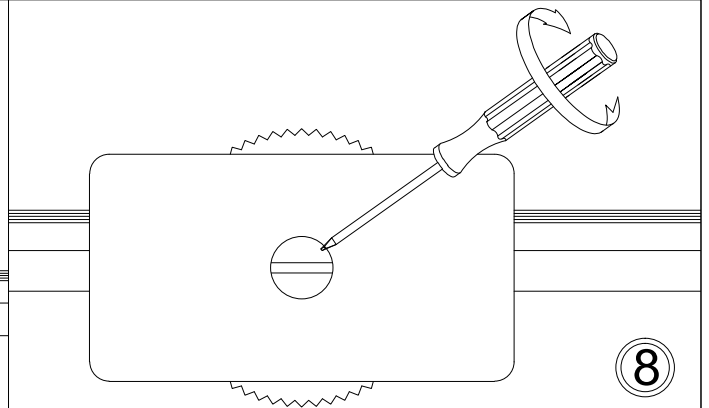


⑥

Squeeze on Top  
of Wire/ Presser  
Sur Le Fil



⑦



⑧