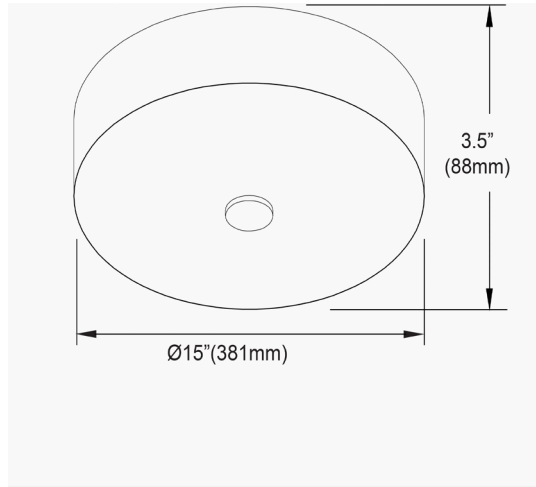


DUL-1530LED FH-MB - Dulce 30W Flushmount, MB w/ CLR Rippled Glass



Height	3.5"
Width/Length	15"
Depth	15"
Weight	5 lbs

Body Material	Glass
Finish/Color	Clear
Type of Finish	Rippled

Light Qty	1
Light Base	AC LED
Light Max Watt	30
Light Inc	Yes
Light Lumens	1500 (Initial) 900 (Delivered)
Light CRI	90+
Light CCT	3500K
Light Life	30000 Hours

Dimmable	Dimmable
LED Compatible	Integrated LED
Total Wattage	30W

Second Material	Metal
Second Finish/Color	Matte Black
Second Type of Finish	Painted

Rated For	Damp
Voltage	120V

Approval	cUL or equivalent
Warranty	5 Years Limited
Install Position	Ceiling

Date:	Notes:
Fixture Type:	
Job Name:	

Lighting | LED | Shades | Custom Designs

 www.dainolite.com  1-888-564-1262  dainolite@dainolite.com

Dainolite 
TORONTO | BUFFALO