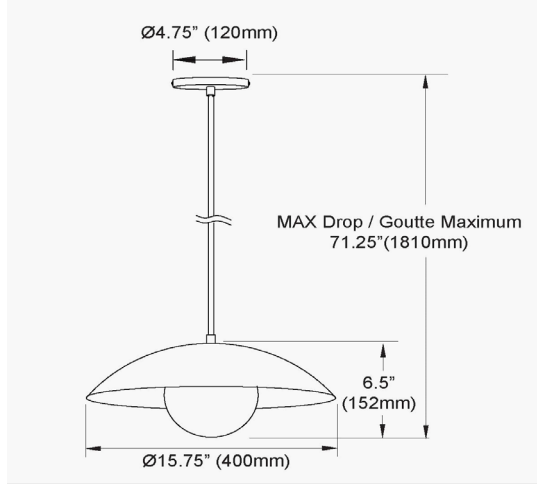


OLV-151P-MB - Olivia 1LT Pendant, MB w/ Opal Glass

1 Light Pendant, Matte Black w/ Opal Glass



| | |
|---------------------|--------|
| Height | 6.5" |
| Width/Length | 15.75" |
| Depth | 15.75" |
| Weight | 3 lbs |

| | |
|-----------------------|-------------|
| Body Material | Metal |
| Finish/Color | Matte Black |
| Type of Finish | Painted |

| | |
|-----------------------|-----|
| Light Qty | 1 |
| Light Base | E26 |
| Light Max Watt | 60 |
| Light Inc | No |

| | |
|-----------------------|----------------|
| Dimmable | Dimmable |
| LED Compatible | LED Compatible |
| Total Wattage | 60W |

| | |
|------------------------------|-------|
| Second Material | Glass |
| Second Finish/Color | White |
| Second Type of Finish | Opal |

| | |
|------------------|---------------|
| Rated For | Damp Location |
| Voltage | 120V |

| | |
|-------------------------|-------------------|
| Approval | cUL or equivalent |
| Warranty | 1 Year Limited |
| Install Position | Ceiling |

Extension Length 72

| | |
|---------------|--------|
| Date: | Notes: |
| Fixture Type: | |
| Job Name: | |

Lighting | LED | Shades | Custom Designs

www.dainolite.com | 1-888-564-1262 | dainolite@dainolite.com

