



Xi-Fi Capsule

DESCRIPTION

The Xi-Fi Capsule adds intelligence to LED lighting fixtures that feature the Z10 receptacle.

Fixtures with this capsule can be commissioned and managed using the Xi-Fi Wireless Lighting Control System. Xi-Fi enables users to wirelessly create groups of fixtures, adjust light levels, control illumination and manage time-out settings, all without having to make physical adjustments at the fixture.

FEATURES

- Adds DLC Listed Networked Lighting Controls in a form factor that can be easily added or removed via twist-lock
- Quick and easy commissioning with Precision ID remote, allowing custom setting of groups/zones, motion time-out, and min/max power settings
- Integrated UHF antenna
- Integrated 24GHz Microwave Motion Sensor
- Integrated Ambient Daylight Sensor
- Continuous dimming (0-10V signal output)
- Easy attachment to any EiKO fixture configured with a Z10 connector
- Maximum communications range between installed capsules is 300' in unobstructed open air

CERTIFICATIONS

- IP66 Rated
- UL94V-0 Flame Retardant
- DesignLights Consortium® Qualified Networked Lighting Controls System

ELECTRICAL

- Input voltage: 12VDC, 0.15A
- Connector standard: Z10
- Communications frequency: 433 MHz

THERMAL

- -40°F to 130°F (-40°C to 54°C) operating temperature
- -40°F to 165°F (-40°C to 74°C) storage temperature

CONSTRUCTION

- Gray polycarbonate plastic housing

COMPATIBILITY

- VERT Area and Site Light
- LLH Linear High Bay
- Surface Canopy Square
- Any EiKO luminaire configured with a Z10 socket

WARRANTY

- 5 year limited warranty



Xi-Fi® is a simple and intuitive wireless control system. This powerful sub-GHz technology fulfills the essential lighting control requirements while being secure, reliable, and easily scalable. [Click for details](#)

project name	type
catalog number	voltage
approved by	date



SMOKEY DOME



CLEAR DOME



VERT FIXTURE WITH XCM



Xi-Fi APPLICATION

APPLICATIONS

- Warehouse/Manufacturing
- Retail
- Office
- Parking Areas

CONFIGURATOR

TECHNOLOGY	SENSOR TYPE	HOUSING COLOR	CONNECTOR STANDARD
XIFI - Xi-Fi Wireless Control System	M - Microwave	SV1 - Gray base with smokey dome CV1 - Gray base with clear dome	Z10 - Z10



PERFORMANCE SUMMARY

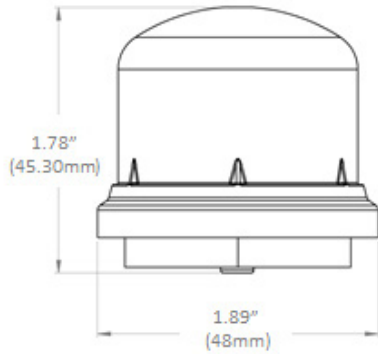
ORDER CODE	ITEM #	HOUSING COLOR	CONNECTOR STANDARD
12403	XIFI/M/SV1/Z10	Gray with smokey dome	Z10
12042	XIFI/M/CV1/Z10	Gray with clear dome	Z10

ACCESSORIES

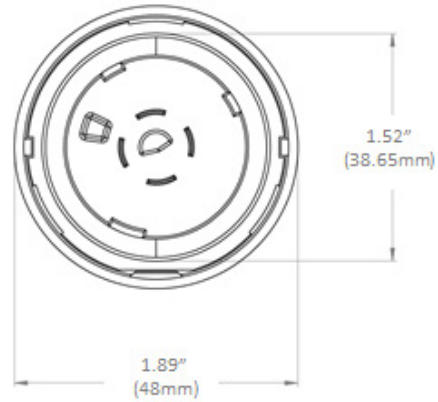
ITEM #	DESCRIPTION
EC-004-2N-129	Xi-Fi Dongle
EC-018-9N-147	Xi-Fi Precision ID Remote Control
EC-009-6X-328	Xi-Fi Ready Tablet Kit (includes Android tablet preloaded with the required Xi-Fi App, as well as the Dongle and Precision ID Remote)



PRODUCT DIMENSIONS

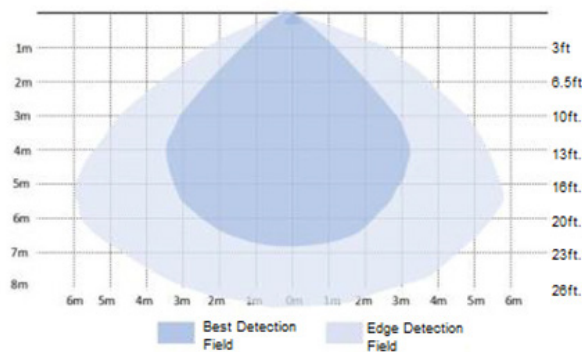


SIDE VIEW



BOTTOM VIEW

24GHz Motion Sensor Detection Pattern



MOTION SENSOR DETECTION

The microwave version of the Xi-Fi Capsule has a maximum mounting height of 24'. Care should be taken to avoid placing the Xi-Fi Capsule in close proximity to large motors, fans and air conditioning units. Fixtures fitted with any motion sensor should be mounted to a rigid mounting point such as a pole, ceiling or beam. Mounting fixtures with motion sensors from non-rigid mounting points such as chains can swing as a result of air movement. This movement of the fixture can result in false activations.

Z10 RECEPTACLE WIRING

EiKO's Xi-Fi Capsule works with almost any luminaire properly wired with a keyed Z10 receptacle and a driver with 12VDC auxiliary output with a minimum of 150mA and 0-10v dimming. Prior to using the Xi-Fi Capsule with any non-EiKO luminaire, it is highly recommended to ensure that the wiring of the receptacle follows that described below:

Pin #1	12VDC	Pin #3	DIM+
Pin #2	Ground	Pin #4	Not used