



IMPORTANT SAFETY INSTRUCTION

Must read prior to attempting installation. Always turn off main power before installation. Installation must be carried out by a trained and knowledgeable electrician ONLY.

When installing or using the track system, basic safety precautions MUST always be followed, including the following:

1. Do not install this lighting system in a damp or wet location.
2. Ensure the appropriate track connector is matched up with its compatible track rail.
3. Do not install any part of the track system less than **5 feet** above the floor.
4. Do not install any luminaire assembly closer than **5 inches** from any curtain, or similar combustible material.
5. Do not attempt to energize anything other than lighting track luminaires on the track. To reduce the risk of fire and electric shock, do not attempt to connect power tools, extension cords, appliances, and the like to the track.
6. Do not exceed the nominal supply voltage or amperage ratings.
7. Turn off the power at fuse or circuit breaker box before installation or any maintenance work.
8. Wear rubber soled shoes including any other recommended PPE and work on a sturdy wooden or non-conductive ladder.
9. Product must be mounted in locations and at heights in compliance with National Electrical Code and local building codes. **For indoor use only.**
10. Installing contrary to instructions may cause unsafe conditions.
11. Consult a qualified electrician before installation.
12. To avoid hazards to children, account for all parts and properly dispose of all packing materials.
13. Call the Technical Support department at Aeralux at 1-833-237-2589 with any installation questions.



IMPORTANT

This equipment is intended to be installed only by qualified personnel. The installation must be made in accordance with the current edition of the National Electrical Code and all applicable state/provinces and local building codes. The final installation must be approved by the appropriate, qualified electrical/building inspector(s). Improper installation may result in a fire or electrical hazard. Be sure the electrical power to the circuit has been disconnected before installing this electrical system.



WARNING

Risk of fire. Most dwellings built before 1985 have supply wire rated at 60°C.

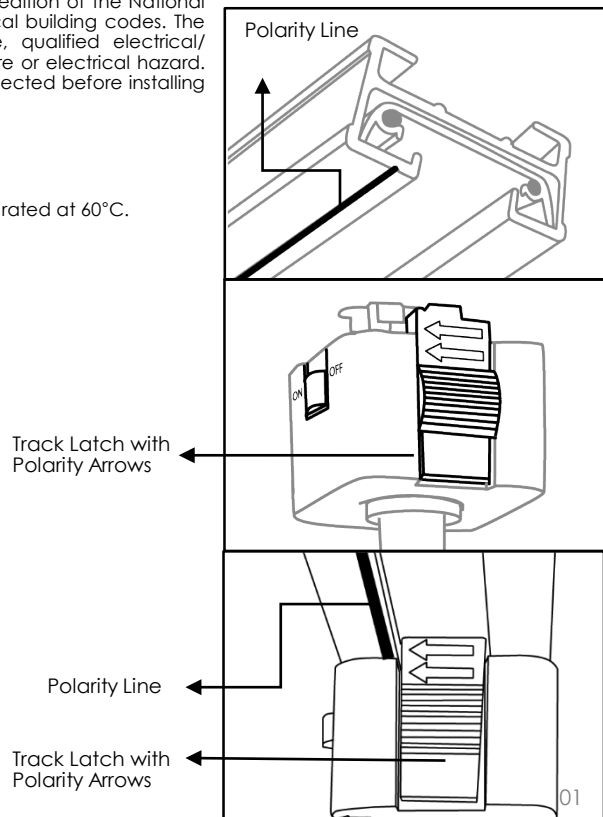
Consult a qualified electrician before installation.

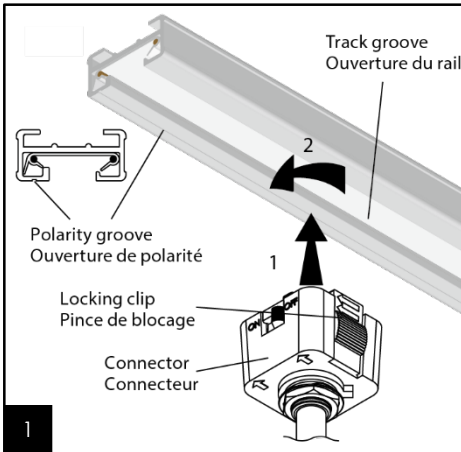
IMPORTANT SAFETY INSTRUCTION

- Track polarity is indicated by a grooved polarity line that runs the entire length of the track.
- All fixtures have indicator arrows designed to point to the track polarity line.
- To install:
 - A. Insert the fixture contacts into the track channel.
 - B. Retract the track latch by gently pulling down.
 - C. Rotate the adapter 90° so that the polarity arrow points to the polarity line on the track.
- When the fixture is installed, the track latch will lock the fixture into the track.

NOTE: All latches should face the same direction after installation.

- Once the fixture is installed into the track, move the ON/OFF switch to the ON position.



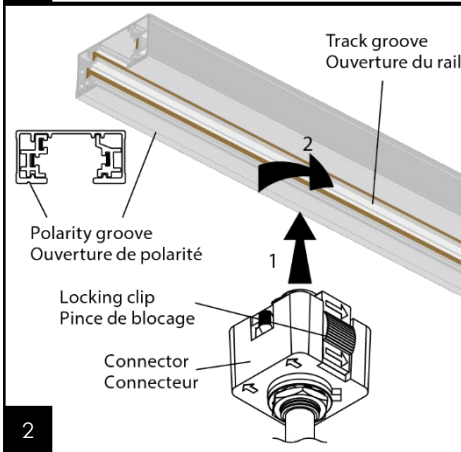


A-Style: (Fig 1)

For use with Aerlux T1,T2 Track system only;

For two circuit track, install clip (Fig 4).

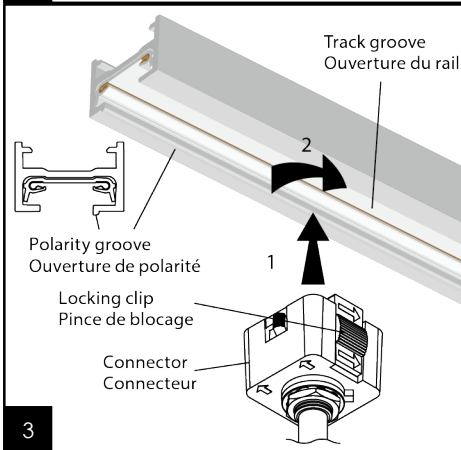
1. Place the connector into track groove and make sure that the side with the locking clip is opposite the polarity groove on the track.
2. Push towards track and turn counter-clockwise 90°.
3. To remove the fixture, pull the locking clip downwards (away from the track) and turn clockwise 90°.
4. Once assembly is complete, turn on power to confirm fixture is working properly.



H-Style: (Fig 2)

FOR USE WITH HALO L64, L65 AND LZR TRACK SYSTEM ONLY.

1. Place the connector into track groove and make sure that the side with the locking clip is opposite the polarity groove on the track.
2. Push towards track and turn counter-clockwise 90°.
3. To remove the fixture, pull the locking clip downwards (away from the track) and turn clockwise 90°.
4. Once assembly is complete, turn on power to confirm fixture is working properly.



L-Style: (Fig. 3)

FOR USE WITH LIGHTOLIER BASIC LYTESPAN TRACK SYSTEM ONLY.

1. Place the connector into track groove and make sure that the locking clip is opposite side of the polarity groove on the track.
2. Push towards track and turn clockwise 90°.
3. To remove the fixture, pull the locking clip downwards (away from the track) and turn counter-clockwise 90°.
4. Once assembly is complete, turn on power to confirm fixture is working properly.

