

ERALUX TRACK 1

TRACK ACCESSORIES & SYSTEM



DESCRIPTION



120V 50/60 Hz 20A max
cULus Listed

ERLUX Track 1 is compatible with Juno single circuit Adapters.

Track / Power Distribution System is suitable for retail, commercial and residential use.

Ships with one T0009 (end cap) installed Extruded aluminum "I" beam. Thermoplastic insulator. Two #12 AWG solid copper conductors.

Length	Part No.	Length
2'	T1-2	512 mm (20.16'')
4'	T1-4	1122 mm (44.17'')
6'	T1-6	1732 mm (68.19'')
8'	T1-8	2341 mm (92.17'')

ORDER CODE LOGIC

Add SUFFIX –XXX to the part number for color indication

COLOR	
WHT	White
BLK	Black
SLV	Silver

TRACK COMPONENTS

MINI I CONNECTOR

T10001


T CONNECTOR

T10002

T10002R (Reverse)


L CONNECTOR

T10003


X CONNECTOR

T10004


FLOATING CANOPY

T10005


CONDUIT END FEED

T10006

T10006R (Reverse)


FLEXIBLE CONNECTOR

T10007


END FEED KIT + COVER

T10008


END CAP

T10009

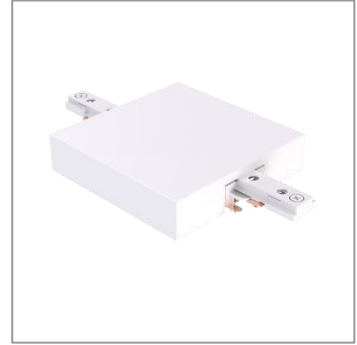
TRACK COMPONENTS

**PENDANT LUMINAIRE
ADAPTER, CHAIN**

T10010


**PENDANT LUMINAIRE
ADAPTER, CORD**

T10011


T-Bar Connector

T10012


T-Bar End Feed

T10013


**Mounting Accessory
For T-bar Grid Ceilings**

T10014


Top Access End Feed

T10015

T10015R (Reverse)


**Line Voltage Mono-
Point Adapter**

T10016

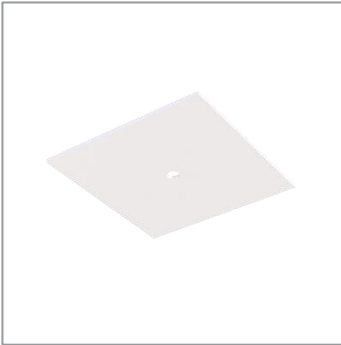

Duo-Point Adapters

T10017


**Line Voltage Sloped
Ceiling Adapter**

T10018

TRACK COMPONENTS



Cover Plate

T10020



Single Circuit End Feed

T10021



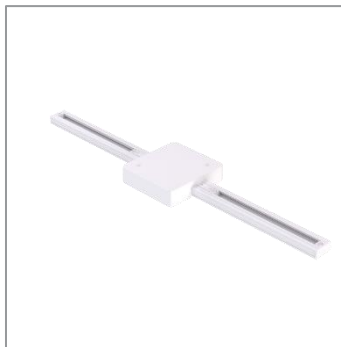
Single Circuit End Feed + 1' Track Attached

T10022



Single Circuit In-Line Feed

T10023



Single Circuit In-Line Feed + 1' Track Attached

T10024



Thin Single Circuit End Feed with 1' Track Attached

T10025



Thin Single Circuit End Feed

T10026



TRACK SUSPENSION SYSTEM

SUSPENSION MECHANISMS

TRACK COMPONENTS

Designed to lower entire track sections for accent or task for use with single or two circuits ERALUX track.



SUSPENSION CANOPY

T10027



48 inch STEM

TS48-WHT, TS48-BLK



36 inch STEM

TS36-WHT, TS36-BLK



24 inch STEM

TS24-WHT, TS24-BLK



12 inch STEM

TS12-WHT, TS12-BLK



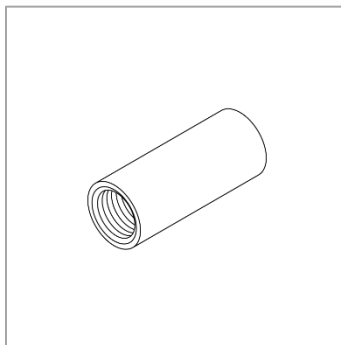
6 inch STEM

TS6-WHT, TS6-BLK



SWIVEL STEM KIT FOR SLOPED CEILING

T10028



SUSPENSION STEM COUPLING

T10029



WIREWAY COVER FOR SUSPENSION

T10030