

ERALUX TRACK 2

TRACK ACCESSORIES & SYSTEM



DESCRIPTION



120V 50/60 Hz 20A max
cULusListed

ERALUX Track 2 is compatible with Juno two circuit Adapters.

Track / Power Distribution System is suitable for retail, commercial and residential use.

Ships with one T0009 (end cap) installed Extruded aluminum "I" beam. Thermoplastic insulator. Two #12 AWG solid copper conductors.

Length	Part No.	Length
2'	T2-2	512 mm (20.16'')
4'	T2-4	1122 mm (44.17'')
6'	T2-6	1732 mm (68.19'')
8'	T2-8	2341 mm (92.17'')

ORDER CODE LOGIC

Add SUFFIX -XX to the part number for color indication

COLOR	
WHT	White
BLK	Black
SLV	Silver

TRACK COMPONENTS



MINI I CONNECTOR

T20001



T CONNECTOR

T20002
T20002R (Reverse)



L CONNECTOR

T20003



X CONNECTOR

T20004



FLOATING CANOPY

T20005



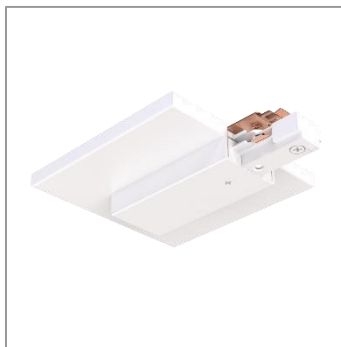
CONDUIT END FEED

T20006
T20006R (Reverse)



FLEXIBLE CONNECTOR

T20007



END FEED KIT + COVER

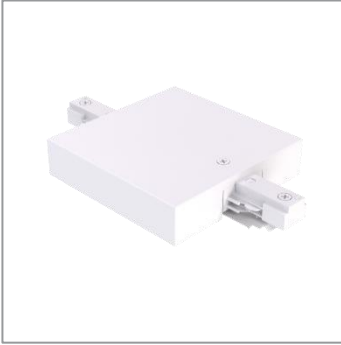
T20008
T20008R (Reverse)



END CAP

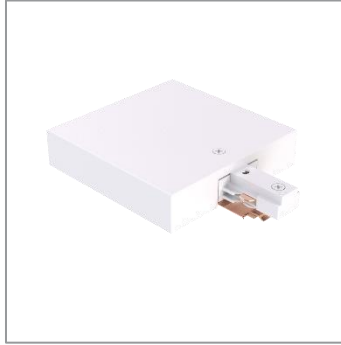
T20009

TRACK COMPONENTS



T-Bar Connector

T20012



T-Bar End Feed

T20013



Top Access End Feed

T20015

T20015R (Reverse)



Two Circuit End Feed

T20021



**Two Circuit End Feed +
1' Track Attached**

T20022



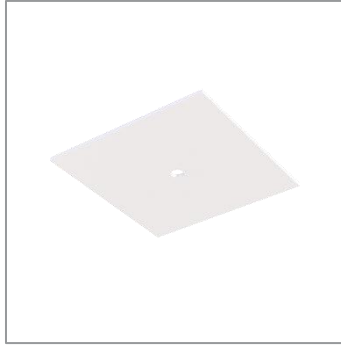
**Two Circuit In-Line
Feed**

T20023



**Two Circuit In-Line Feed +
1' Track Attached**

T20024



Cover Plate

T10020

TRACK COMPONENTS

Designed to lower entire track sections for accent or task for use with single or two circuits ERALUX track.



SUSPENSION CANOPY

T10027



48 inch STEM

TS48-WHT, TS48-BLK



36 inch STEM

TS36-WHT, TS36-BLK



24 inch STEM

TS24-WHT, TS24-BLK



12 inch STEM

TS12-WHT, TS12-BLK



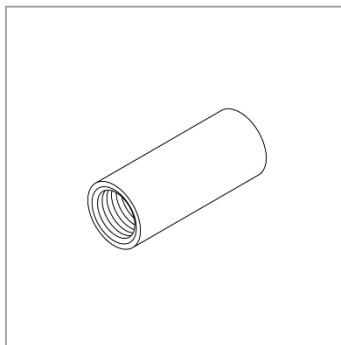
6 inch STEM

TS6-WHT, TS6-BLK



SWIVEL STEM KIT FOR SLOPED CEILING

T10028



SUSPENSION STEM COUPLING

T10029



WIREWAY COVER FOR SUSPENSION

T10030