



GES

NORDIC ALUMINUM TRACK ACCESSORIES & SYSTEM

DESCRIPTION



AERALUX Track 1 is compatible with Juno single circuit Adapters.

Track / Power Distribution System is suitable for retail, commercial and residential use.

Ships with one T0009 (end cap) installed Extruded aluminum "I" beam. Thermoplastic insulator. Two #12 AWG solid copper conductors.

Length	Part No.
4'	TS-GES-4
8'	TS-GES-8
12'	TS-GES-12

cULus Listed

ORDER CODE LOGIC

Add SUFFIX -XXX to the part number for color indication

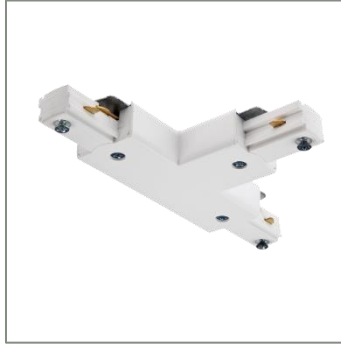
COLOR	
WHT	White
BLK	Black
SLV	Silver

TRACK COMPONENTS



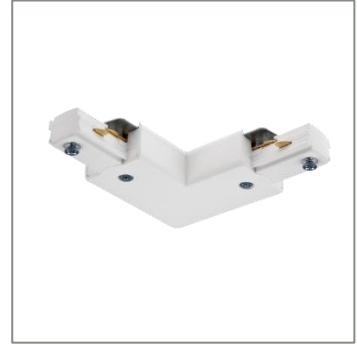
LIVE MIDDLE FEED

T10001



T CONNECTOR

T10002
T10002R



L CONNECTOR

T10003



X CONNECTOR

T10004



FLOATING CANOPY

T10005



CONDUIT END FEED

T10006
T10006R



CONDUIT CONNECTOR

T10007



LIVE END FEED

T10008



END CAP

T0009

TRACK COMPONENTS



LINEAR COUPLER

0010



Cable Mount

T10011



T-Bar FEED KIT

T10012



STEM KITS

T10013



Stem Kits Hardware

T10014



End Feed Stem Suspension Point

T10015



Mono-Point Adapter

T10016



SUSPENSION POINT

T10017



Adapter

T10018

TRACK COMPONENTS



Cover Plate

T0020



Current Limiting Device

T10021



T-Bar Mounting Clip

T10022



Threaded Rod Mounting Clip

T10023



Track Reinforcement Plate

T10024



MIN CURVED

T10025

aeralux