

EUROfase

Linden, Mirror , 24" X 36", Matte Black

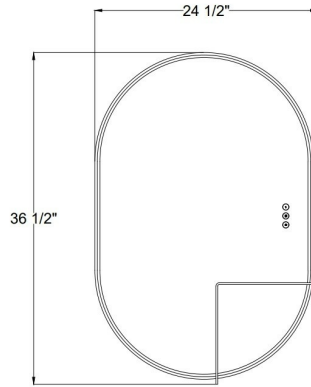
Item No.
48520-027

JOB NAME:

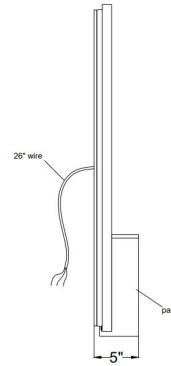
DATE:

TYPE:

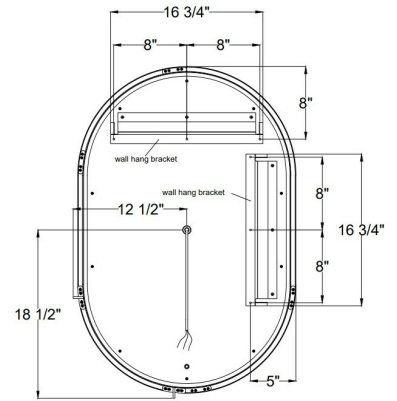
COMMENTS:



FRONT VIEW



RIGHT SIDE



REAR VIEW

PRODUCT FEATURES

Feature 1: High quality, lead free, copper free corrosion resistant glass.

Feature 2: Durable, damp-rated construction for the frame, parts, and hardware.

Feature 3: Meets Title 24 requirements.

Feature 4: Safety added Shatter proof adhesive backing mirror panes.

Feature 5: High-efficiency LED chips produce maximum lumens while using minimal power.

Feature 6: 90+ Color Rendering Index.

Feature 7: Convenient and safe wall mounting bracket design.

Feature 8: The memory function allows the mirror to return to its last used setting when it is turned on or off from the wall switch.

DIMENSIONS & WEIGHT

Product Width (In) 24

Product Height (In) 36

Product Ext (In) 4.5

Product Diameter (In)

Product Weight (Lbs) 32.18

LIGHT INFORMATION

Light Direction Ambient

Dimming Method Triac/Elv

Input Voltage 120

CRI 90

Delivered Lumens 1340

Colour Temperature (Kelvin) 3000K/4500K/6400K

Average Hours LED (L70) 52000

PRODUCT FINISH

Finish: Matte Black

INSTALLATION

Mounting Type J-Box

Mounting Location Damp
Rating