

EUROfase

Serin, Mirror , 1" X 30", Kombu Green

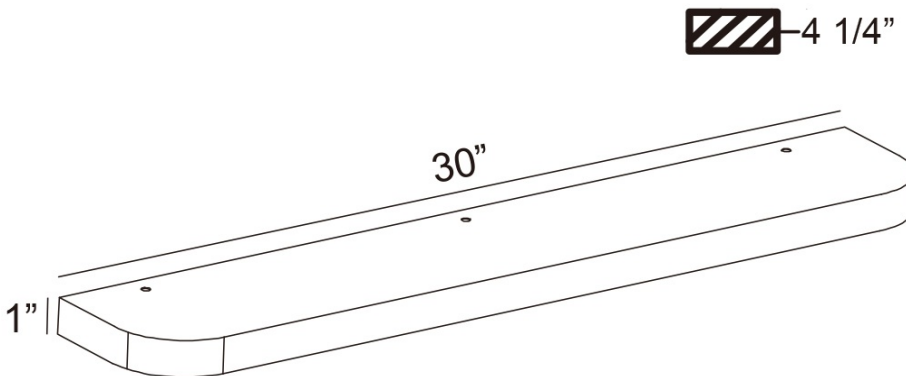
Item No.
48533-010

JOB NAME:

DATE:

TYPE:

COMMENTS:



LIGHT INFORMATION

Light Type N/A

Bulb Socket N/A

Bulb Shape N/A

Bulb Included N/A

CRI

Delivered Lumens

Colour Temperature (Kelvin) N/A

Average Hours LED (L70)

Number of Lights N/A

Light Direction N/A

Dimming Method N/A

Output Voltage

Current Type N/A

LIGHT INFORMATION (CONT'D.)

Light Wattage

Total Wattage

DIMENSIONS & WEIGHT

Product Width (In) 30

Product Height (In) 1

Product Ext (In) 4.5

Product Diameter (In)

Product Weight (Lbs) 2.01

Product Length (In)

INSTALLATION

Mounting Type N/A

Mounting Location Rating N/A

PRODUCT FINISH

Finish: Kombu Green

SHADE FINISH

Shade Finish: N/A

PRODUCT FEATURES

Feature 1: High quality, lead free, copper free corrosion resistant glass.

Feature 2: Durable, damp-rated construction for the frame, parts, and hardware.

Feature 3: Meets Title 24 requirements.



Certification & Compliance