

EUROfase

Serin, Mirror , 1" X 30", Midnight Navy

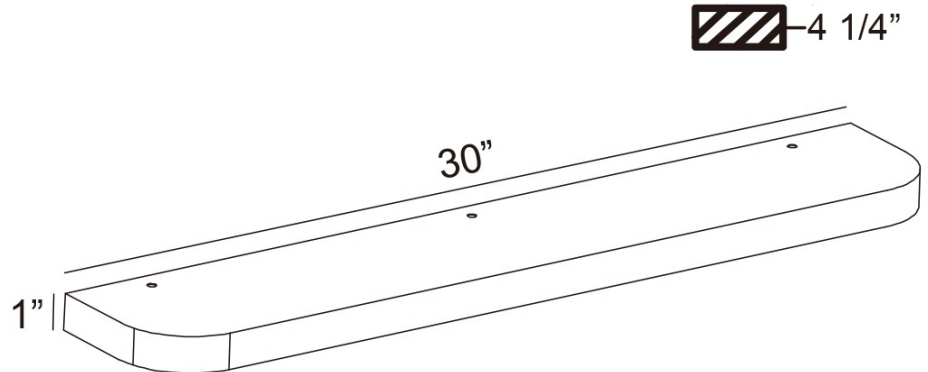
Item No.
48533-027

JOB NAME:

DATE:

TYPE:

COMMENTS:



PRODUCT FEATURES

Feature 1: High quality, lead free, copper free corrosion resistant glass.

Feature 2: Durable, damp-rated construction for the frame, parts, and hardware.

Feature 3: Meets Title 24 requirements.

Feature 4: Safety added Shatter proof adhesive backing mirror panes.

Feature 5: High-efficiency LED chips produce maximum lumens while using minimal power.

Feature 6: 90+ Color Rendering Index.

Feature 7: Convenient and safe wall mounting bracket design.

Feature 8: The memory function allows the mirror to return to its last used setting when it is turned on or off from the wall switch.

DIMENSIONS & WEIGHT

Product Width (In) 30

Product Height (In) 1

Product Ext (In) 4.5

Product Diameter (In)

Product Weight (Lbs) 2.01

PRODUCT FINISH

Finish: Midnight Navy

INSTALLATION

Mounting Type N/A

Mounting Location Rating N/A

LIGHT INFORMATION

Light Direction N/A

Dimming Method N/A

Input Voltage 120

CRI

Delivered Lumens

Colour Temperature (Kelvin) N/A

Average Hours LED (L70)