

EUROfase

Noga, Flush Mount , 16", Matte Black, Alabaster

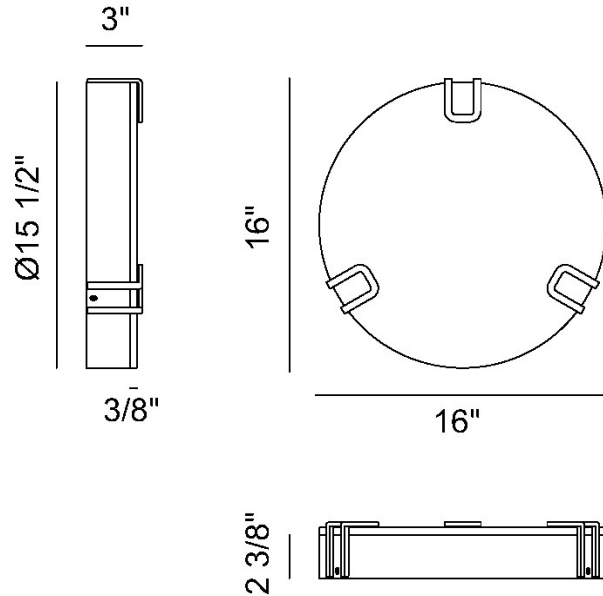
Item No.
48958-028

JOB NAME:

DATE:

TYPE:

COMMENTS:



LIGHT INFORMATION

Light Type Integrated LED

Bulb Socket N/A

Bulb Shape N/A

Bulb Included Yes

CRI 90

Delivered Lumens 1035

Colour Temperature (Kelvin) 3000K

Average Hours LED (L70) 52000

Number of Lights 1

Light Direction Ambient

Dimming Method Triac/Elv

Output Voltage 120

Current Type AC

LIGHT INFORMATION (CONT'D.)

Light Wattage 25

Total Wattage 25

DIMENSIONS & WEIGHT

Product Width (In)

Product Height (In) 2.25

Product Ext (In)

Product Diameter (In) 16

Product Weight (Lbs) 14.5

Product Length (In)

INSTALLATION

Mounting Type J-Box

Mounting Location Damp
Rating

PRODUCT FINISH

Finish: Matte Black

SHADE FINISH

Shade Finish: Alabaster

PRODUCT FEATURES

Feature 1:

Feature 2:

Feature 3:

