

# EUROfase

## Noga, Flush Mount , 22", Matte Black, Alabaster

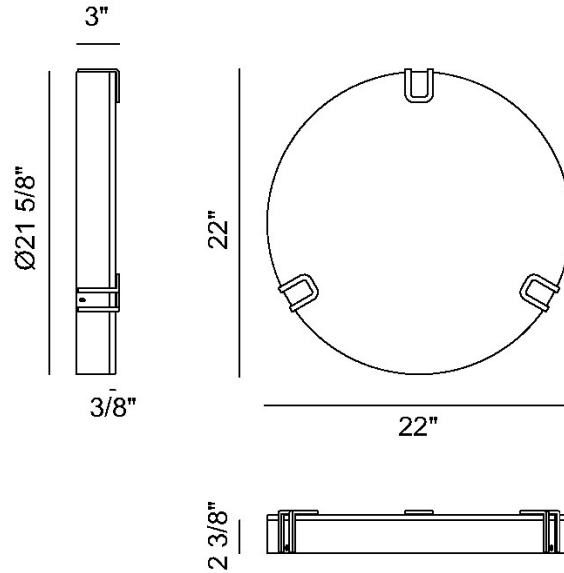
Item No.  
48959-025

JOB NAME:

DATE:

TYPE:

COMMENTS:



### LIGHT INFORMATION

Light Type	Integrated LED
Bulb Socket	N/A
Bulb Shape	N/A
Bulb Included	Yes
CRI	90
Delivered Lumens	1449
Colour Temperature (Kelvin)	3000K
Average Hours LED (L70)	52000
Number of Lights	1
Light Direction	Ambient
Dimming Method	Triac/Elv
Output Voltage	120
Current Type	AC

### LIGHT INFORMATION (CONT'D.)

Light Wattage	30
Total Wattage	30

### DIMENSIONS & WEIGHT

Product Width (In)	
Product Height (In)	2.25
Product Ext (In)	
Product Diameter (In)	22
Product Weight (Lbs)	24.68
Product Length (In)	

### INSTALLATION

Mounting Type	J-Box
Mounting Location Rating	Damp

### PRODUCT FINISH

Finish: Matte Black

### SHADE FINISH

Shade Finish: Alabaster

### PRODUCT FEATURES

- Feature 1:
- Feature 2:
- Feature 3:

