

EUROfase

Artell, Mirror , 42" X 42", Brushed Silver

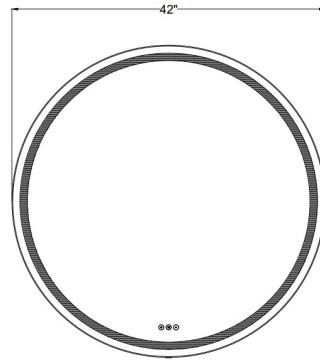
Item No.
48977-029

JOB NAME:

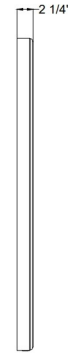
DATE:

TYPE:

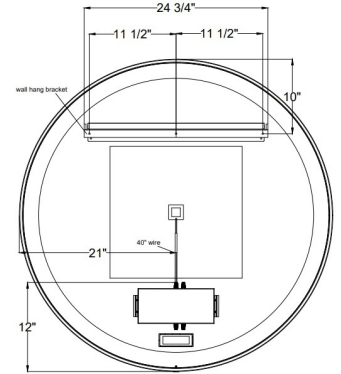
COMMENTS:



FRONT VIEW



RIGHT SIDE



REAR VIEW

PRODUCT FEATURES

Feature 1: High quality, lead free, copper free corrosion resistant glass.

Feature 2: Durable, damp-rated construction for the frame, parts, and hardware.

Feature 3: Meets Title 24 requirements.

Feature 4: Safety added Shatter proof adhesive backing mirror panes.

Feature 5: High-efficiency LED chips produce maximum lumens while using minimal power.

Feature 6: 90+ Color Rendering Index.

Feature 7: Convenient and safe wall mounting bracket design.

Feature 8: The memory function allows the mirror to return to its last used setting when it is turned on or off from the wall switch.

DIMENSIONS & WEIGHT

Product Width (In)

Product Height (In)

Product Ext (In) 2.13

Product Diameter (In) 42

Product Weight (Lbs) 37.47

LIGHT INFORMATION

Light Direction Ambient

Dimming Method Touch Switch

Input Voltage 120

CRI 90

Delivered Lumens 1136

Colour Temperature (Kelvin) 3000K/4500K/6400K

Average Hours LED (L70) 52000

PRODUCT FINISH

Finish: Brushed Silver

INSTALLATION

Mounting Type J-Box

Mounting Location Rating Damp