

# EUROfase

## Artell, Mirror , 42" X 42", Brushed Black

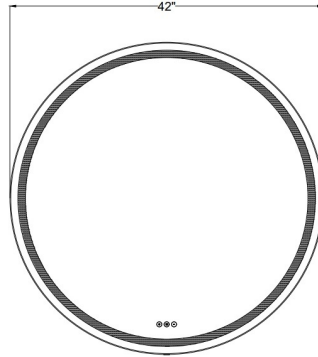
Item No.  
48977-036

JOB NAME:

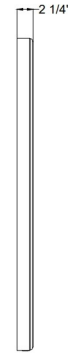
DATE:

TYPE:

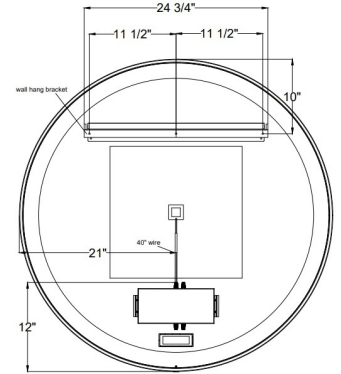
COMMENTS:



FRONT VIEW



RIGHT SIDE



REAR VIEW

### PRODUCT FEATURES

Feature 1: High quality, lead free, copper free corrosion resistant glass.

Feature 2: Durable, damp-rated construction for the frame, parts, and hardware.

Feature 3: Meets Title 24 requirements.

Feature 4: Safety added Shatter proof adhesive backing mirror panes.

Feature 5: High-efficiency LED chips produce maximum lumens while using minimal power.

Feature 6: 90+ Color Rendering Index.

Feature 7: Convenient and safe wall mounting bracket design.

Feature 8: The memory function allows the mirror to return to its last used setting when it is turned on or off from the wall switch.

### DIMENSIONS & WEIGHT

Product Width (In)	
Product Height (In)	
Product Ext (In)	2.13
Product Diameter (In)	42
Product Weight (Lbs)	37.47

### LIGHT INFORMATION

Light Direction	Ambient
Dimming Method	Touch Switch
Input Voltage	120
CRI	90
Delivered Lumens	1136
Colour Temperature (Kelvin)	3000K/4500K/6400K
Average Hours LED (L70)	52000

### PRODUCT FINISH

Finish: Brushed Black

### INSTALLATION

Mounting Type	J-Box
Mounting Location Rating	Damp