

# EUROfase

## Sternn, Outdoor, 15", Marble White, Clear Smooth Glass

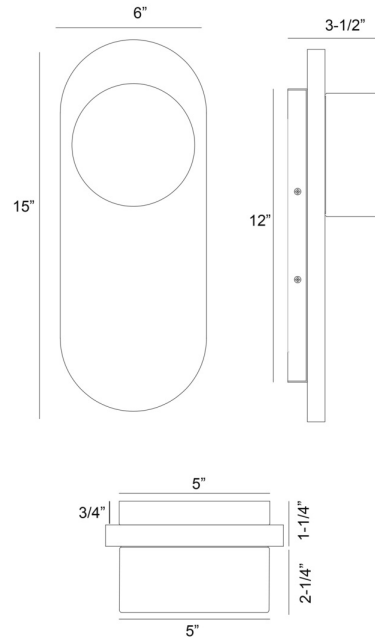
Item No.  
50273-041

JOB NAME:

DATE:

TYPE:

COMMENTS:



### LIGHT INFORMATION

Light Type Integrated LED

Bulb Socket N/A

Bulb Shape N/A

Bulb Included N/A

CRI 90

Delivered Lumens 478

Colour Temperature (Kelvin) 3000K

Average Hours LED (L70) 52000

Number of Lights 1

Light Direction Ambient

Dimming Method Triac

Output Voltage 24

Current Type AC

### LIGHT INFORMATION (CONT'D.)

Light Wattage 10

Total Wattage 10

### DIMENSIONS & WEIGHT

Product Width (In) 5.91

Product Height (In) 15

Product Ext (In) 3.5

Product Diameter (In)

Product Weight (Lbs) 7.78

Product Length (In)

### INSTALLATION

Mounting Type J-Box

Mounting Location Rating Wet (IP65)

### PRODUCT FINISH

Finish: Marble White

### SHADE FINISH

Shade Finish: Clear Smooth

### PRODUCT FEATURES



Certification & Compliance