

Pin and Sleeve

Low Profile Devices and Specifications

20, 30 and 60 Ampere - North American Ratings



Low Profile Devices

Amps	Poles and Wires	Configuration		AC Voltage	Plug	Receptacle	Cord Dia.	
		Recep./ Conn.	Plug/ Inlet				Min.	Max.
20	3P 4W			3Ø 250V	L420P9	L420R9	.350"	.710" (8.3-15.9)
30	3P 4W			125/250V	L430P12	L430R12	.390"	.775" (9.9-19.7)
30	3P 4W			3Ø 250V	L430P9	L430R9	.390"	.775" (9.9-19.7)

Amps	Poles and Wires	Configuration		AC Voltage	Plug	Receptacle	Cord Dia.	
		Recep./ Conn.	Plug/ Inlet				Min.	Max.
60	3P 4W			3Ø 250V	A460P9	A460R9	.75"	1.25" (19.1- 31.8)

Amps	Poles and Wires	Configuration		AC Voltage	Plug	Receptacle	Cord Dia.	
		Recep./ Conn.	Plug/ Inlet				Min.	Max.
60	4P 5W			3ØY 120/208V	A560P9	HBL560R9W	.89"	1.42" (22.6- 36.1)
100	4P 5W			3ØY 120/208V	A5100P9	HBL5100R9W	1.34"	1.50" (34.0- 38.1)

Specifications

Electrical

Dielectric Withstand Voltage	3000V AC.
Max. Working Voltage	250V RMS.
Current Interrupting	Certified for current interruption at full rated current.
Temperature Rise	Max. 30 C temperature rise at full rated current after 50 cycles of overload at 150% of rated current at a power factor of 75%.
Endurance	Up to 5,000 connect and disconnect cycles at full rated current and voltage.

Mechanical

Impact Resistance	Per CSA C22.2 No. 182.1 / UL1682.
Cord Grip Cable Retention	Per CSA C22.2 No. 182.1 / UL1682
Cord Accommodation	Round portable service cords of diameters commensurate with the device rating as defined in UL Standard 62, CSA C22.2 No. 49 and the <HAR> European Standards.
Terminal Identification	Terminals identified in accordance with North American convention.
Product Identification	Ratings are a permanent part of the device housing.

Environmental

Flammability	HB or better per UL 94 or CSA C22.2 No. 0.17.
Ingress Protection	IP22 Suitability
Operating Temperatures	Maximum Continuous 75° C; Minimum -40°C without impact.

Application Guide

Agriculture	Indoor location and maintenance.
Chemical Processing	Indoor location and maintenance.
Construction	Indoors for added safety and abuse resistance.
Entertainment	Indoor location and maintenance.
Food Service	Food service areas where aesthetics and space are concerns.
Light Manufacturing	Indoor locations and maintenance.
Manufacturing	Light assembly areas, stamping operations, and maintenance areas.
Military	Warehouse and maintenance areas.

Materials

Part	Material
Plug	
Case	Zytel® 101 Nylon
Shroud	Zytel® 101 Nylon
Pin Carrier 20 & 30A	Zytel® 101 Nylon
Pin and Carrier 60A	High-Impact Thermoset
Pins	Brass CDA#360
Assembly Screws	Stainless Steel (300 series)
Terminal Screws	Stainless Steel (300 series)
Receptacle	
Body	Zytel® 101 Nylon
Sleeve Carrier 20 & 30A	Zytel® 101 Nylon
Sleeve Carrier 60A	High-Impact Thermoset
Sleeves	Brass CDA #360
Assembly Screws	Stainless Steel (300 series)
Terminal Screws	Stainless Steel (300 series)
Adapter Plate 20 & 30A	Galvanized Steel
Adapter Plate 60A	Aluminum
Wall Trim Plate	Zytel® 101 Nylon
Panel Mount Trim Plate	Stainless Steel (300 series)

© Zytel and Rynite are registered trademarks of E.I. DuPont Corp.

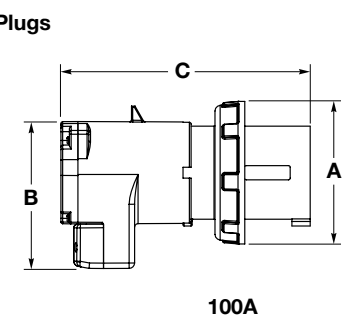
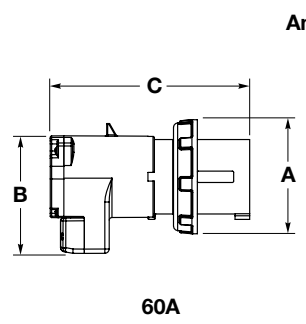
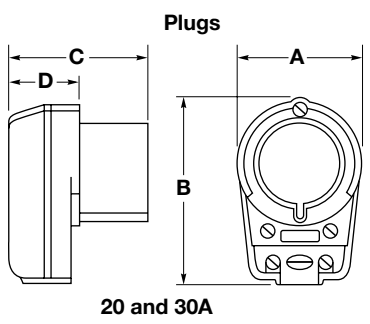
Note: See page E-17 for product dimensions.



Pin and Sleeve Low Profile Dimensions

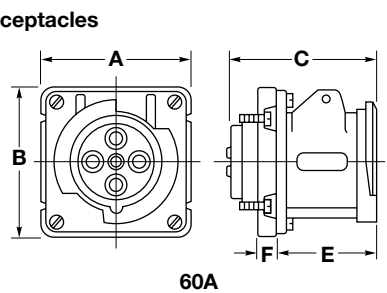
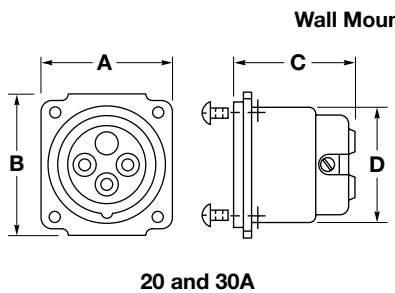
Plug Dimensions

Type	A	B	C	D	Cord Range Diameter
L420P9	2.47" (62.7)	3.78" (96.0)	2.93" (74.4)	1.49" (37.8)	.350"-.710" (8.9-18.0)
L430P12	2.97" (75.4)	4.18" (106.2)	3.50" (88.9)	1.71" (43.4)	.390"-.775" (9.9-19.7)
A460P9	3.38" (85.9)	4.25" (108.0)	7.00" (177.8)	-	.75"-1.25" (19.1- 31.8)
A5100P9	4.92" (125.00)	5.07" (128.81)	8.60" (218.35)	-	1.34"-1.50" (34.0- 38.1)

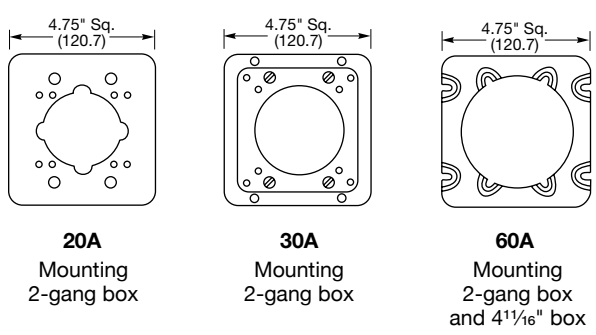


Wall Mount Receptacle Dimensions

Type	A	B	C	D	E	F
L420R9	2.60" (66.0)	2.81" (71.4)	2.28" (57.9)	2.38" (60.5)	-	-
L430R12	3.12" (79.2)	3.12" (79.2)	2.77" (70.4)	2.76" (70.1)	-	-
A460R9	4.50" (114.3)	4.50" (114.3)	4.48" (113.8)	-	3.62" (91.9)	.50" (12.7)



Adapter Plate (Included with "L" and "A" series receptacles)



Panel Cutout

