

IEC Pin and Sleeve
20 and 30A Low Profile
Features and Benefits



Brass Box Terminal
 Permits high clamping pressure on conductors without damaging wire strands for best electrical conductivity.

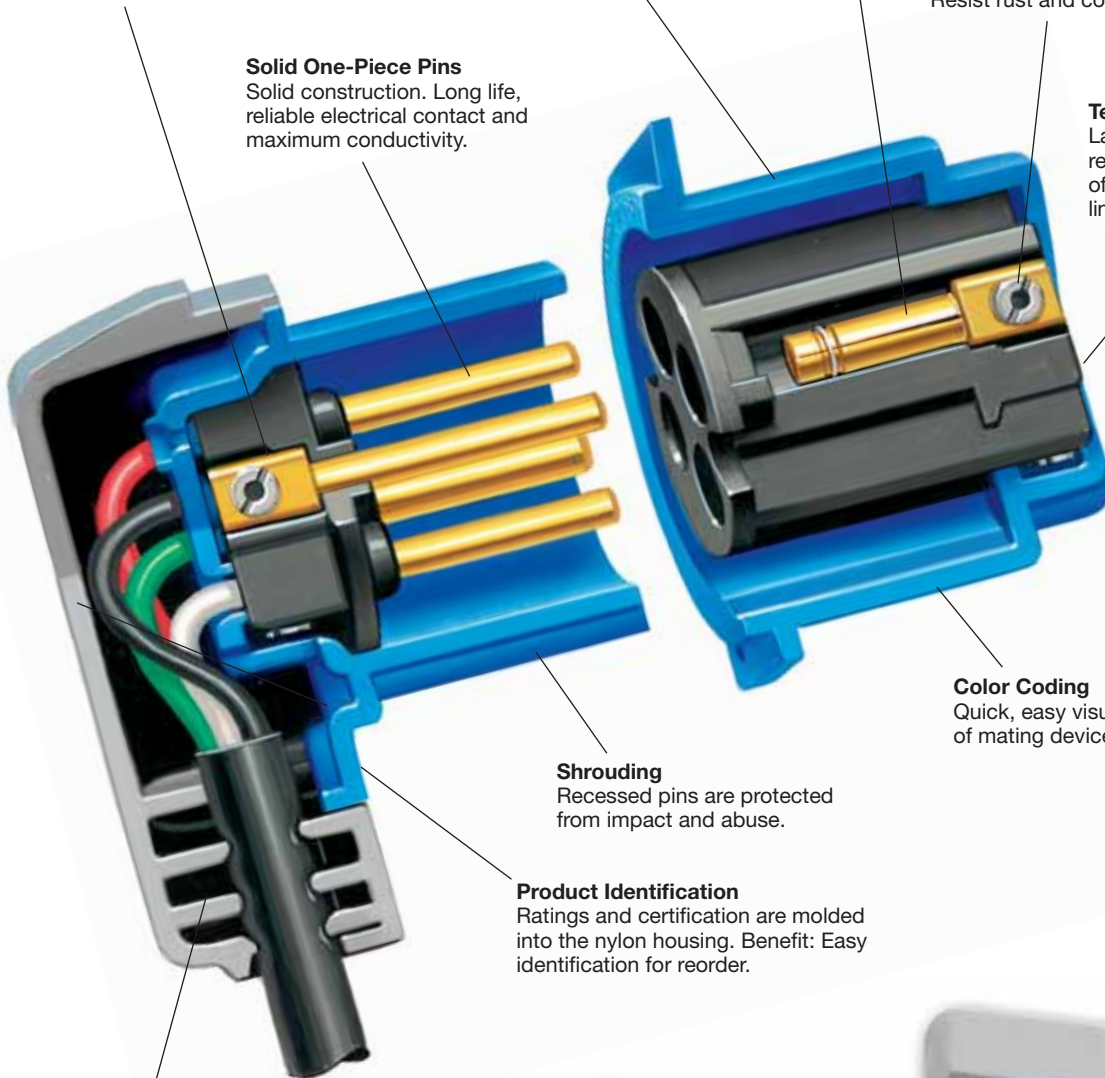
Nylon Construction
 Both interior and exterior are made of tough, durable nylon.

Split Sleeves
 Split sleeves with self-adjusting stainless steel springs assure constant contact pressure (20A & 30A). On 60A devices, Beryllium Copper insert with multiple contact points assures easy insertion and a tight fit.

Stainless Steel Terminal Screws
 Resist rust and corrosion.

Solid One-Piece Pins
 Solid construction. Long life, reliable electrical contact and maximum conductivity.

Terminal Identification
 Large markings for easy recognition results in ease of wiring on the assembly line or in the field.



Color Coding
 Quick, easy visual identification of mating devices.

Shrouding
 Recessed pins are protected from impact and abuse.

Product Identification
 Ratings and certification are molded into the nylon housing. Benefit: Easy identification for reorder.

Integrated Cord Grip
 Limits strain on terminals, keeps cord connected.



IEC Pin and Sleeve

Low Profile Order Information and Specifications

20A, 30A, 60A North American Rating

Low Profile Devices



Amps	Poles and Wires	Configuration		Voltage	Plug	Receptacle	Cord Dia.	
		Recep./ Conn.	Plug/ Inlet				Min.	Max.
20	3P 4W			3Ø250			.350"	.710" (8.3-15.9)
30	3P 4W			125/250			.390"	.775" (9.9-19.7)
30	3P 4W			3Ø250			.390"	.775" (9.9-19.7)

Amps	Poles and Wires	Configuration		Voltage	Plug	Receptacle	Cord Dia.	
		Recep./ Conn.	Plug/ Inlet				Min.	Max.
60	3P 4W			3Ø250			.75"	1.25" (19.1- 31.8)

Amps	Poles and Wires	Configuration		Voltage	Plug	Receptacle	Cord Dia.	
		Recep./ Conn.	Plug/ Inlet				Min.	Max.
60	4P 5W			3ØY 120/208			.89"	1.42" (22.6- 36.1)
100	4P 5W			3ØY 120/208			1.34"	1.50" (34.0- 38.1)

Specifications

Electrical

Dielectric Withstand Voltage	3000V AC.
Max. Working Voltage	250V RMS.
Current Interrupting	Certified for current interruption at full rated current.
Temperature Rise	Max. 30 C temperature rise at full rated current after 50 cycles of overload at 150% of rated current at a power factor of 75%.
Endurance	Up to 5,000 connect and disconnect cycles at full rated current and voltage.

Mechanical

Impact Resistance	Per CSA C22.2 No. 182.1 / UL1682.
Cord Grip Cable Retention	Per CSA C22.2 No. 182.1 / UL1682
Cord Accommodation	Round portable service cords of diameters commensurate with the device rating as defined in UL Standard 62, CSA C22.2 No. 49 and the <HAR> European Standards.
Terminal Identification	Terminals identified in accordance with North American convention.
Product Identification	Ratings are a permanent part of the device housing.

Environmental

Flammability	HB or better per UL 94 or CSA C22.2 No. 0.17.
Ingress Protection	IP22 Suitability
Operating Temperatures	Maximum Continuous 75° C; Minimum - 40°C without impact.

Application Guide

Agriculture	Indoor location and maintenance.
Chemical Processing	Indoor location and maintenance.
Construction	Indoors for added safety and abuse resistance.
Entertainment	Indoor location and maintenance.
Food Service	Food service areas where aesthetics and space are concerns.
Light Manufacturing	Indoor locations and maintenance.
Manufacturing	Light assembly areas, stamping operations, and maintenance areas.
Military	Warehouse and maintenance areas.

Materials

Part	Materials
Plug	
Case	Zytel® 101 Nylon
Shroud	Zytel® 101 Nylon
Pin Carrier 20 & 30A	Zytel® 101 Nylon
Pin and Carrier 60A	High-Impact Thermoset
Pins	Brass CDA#360
Assembly Screws	Stainless Steel (300 series)
Terminal Screws	Stainless Steel (300 series)
Receptacle	
Body	Zytel® 101 Nylon
Sleeve Carrier 20 & 30A	Zytel® 101 Nylon
Sleeve Carrier 60A	High-Impact Thermoset
Sleeves	Brass CDA #360
Assembly Screws	Stainless Steel (300 series)
Terminal Screws	Stainless Steel (300 series)
Adapter Plate 20 & 30A	Galvanized Steel
Adapter Plate 60A	Aluminum
Wall Trim Plate	Zytel® 101 Nylon
Panel Mount Trim Plate	Stainless Steel (300 series)

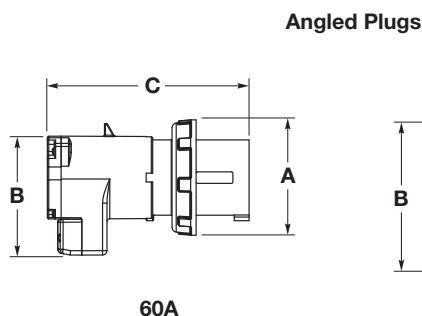
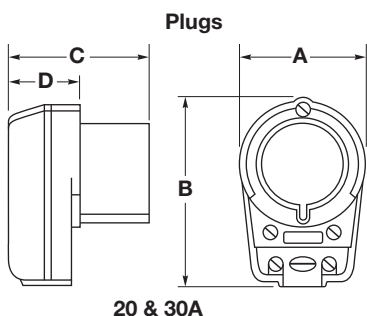
Note: See page E-15 for product dimensions.

® Zytel and Rynite are registered trademarks of E.I. DuPont Corp.

IEC Pin and Sleeve Low Profile Dimensions

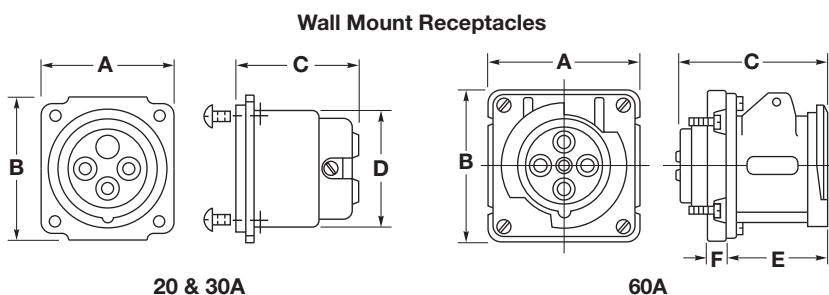
Plug Dimensions

Type	A	B	C	D	Cord Range Dia.
L420P9	2.47" (62.7)	3.78" (96.0)	2.93" (74.4)	1.49" (37.8)	.350"-.710" (8.9-18.0)
L430P12	2.97" (75.4)	4.18" (106.2)	3.50" (88.9)	1.71" (43.4)	.390"-.775" (9.9-19.7)
A460P9	3.38" (85.9)	4.25" (108.0)	7.00" (177.8)	-	.75"-1.25" (19.1- 31.8)
A5100P9	4.92" (125.00)	5.07" (128.81)	8.60" (218.35)	-	1.34"-1.50" (34.0- 38.1)

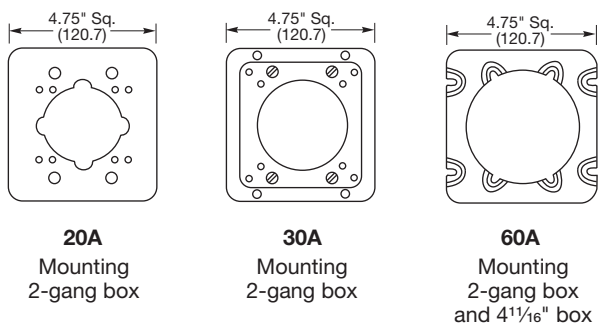


Wall Mount Receptacle Dimensions

Type	A	B	C	D	E	F
L420R9	2.60" (66.0)	2.81" (71.4)	2.28" (57.9)	2.38" (60.5)	-	-
L430R12	3.12" (79.2)	3.12" (79.2)	2.77" (70.4)	2.76" (70.1)	-	-
A460R9	4.50" (114.3)	4.50" (114.3)	4.48" (113.8)	-	3.62" (91.9)	.50" (12.7)



Adapter Plate (Included with "L" and "A" series receptacles)



Panel Cutout

