



Dimensions Inches (mm)

Style	CFB7G Series		CFB11G Series	
	7-Gang		11-Gang	
	CFB7G4	CFB7G6	CFB11G4	CFB11G6
Min. Depth of Pour	4.08" (103.5)	6.08" (154.3)	4.08" (103.5)	6.08" (154.3)
Adjustability	Before Pour	Before Pour	Before Pour	Before Pour
Dimensions:				
A	4.08" (103.5)	6.08" (154.3)	4.08" (103.5)	6.08" (154.3)
B	10.0" (254.0)	10.0" (254.0)	13.5" (342.9)	13.5" (342.9)
C	12.2" (309.9)	12.2" (309.9)	12.2" (309.9)	12.2" (309.9)
Trade Size Knockouts:				
Sidewalls	(4) x 1", 1¼" Concentric	(4) x 1", 1¼", 1½" Concentric	(4) x 1", 1¼" Concentric	(4) x 1", 1¼", 1½" Concentric
Back	(3) x 1", 1¼", 1½" Concentric; (1) x 2"	(3) x 1", 1¼", 1½" Concentric; (1) 2"	(2) ¾", 1" Concentric; (4) 1", 1¼", 1½" Concentric, (1) 2"	(2) ¾", 1" Concentric; (4) 1", 1¼", 1½" Concentric, (1) 2"
Bottom	(4) x 1", 1¼", 1½" Concentric	(4) x 1", 1¼", 1½" Concentric	(5) 1", 1¼", 1½" Concentric; (2) ¾", 1" Concentric	(5) 1", 1¼", 1½" Concentric; (2) ¾", 1" Concentric
Side View Depth behind mounting plate	 X - 1.01" Y - 2.41" Z - 3.51"	 X - 2.37" Y - 3.77" Z - 3.65"	 X - 1.02" Y - 2.42" Z - 3.50"	 X - 2.37" Y - 3.81" Z - 3.72"
Accepts industry standard size wallplates (sold separately)	(1) 1-Gang (1) 2-Gang (1) 4-Gang	(1) 1-Gang (1) 2-Gang (1) 4-Gang	(2) 1-Gang (1) 3-Gang (1) 6-Gang	(2) 1-Gang (1) 3-Gang (1) 6-Gang
Interior Configuration				

Note: UL File Number E31999.
CSA File Number LR18416.

Accessories

On-grade Barrier

The on-grade barrier is intended for use on installations at grade level. This accessory is installed prior to the concrete pour and provides a barrier between the soil. The on-grade barrier comes with leveling feet and anchor points.

CFBOGPAN4



Pour Pan Dimensions:
15.75 in. sq.
4 in. depth

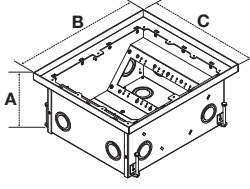


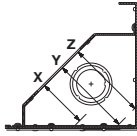
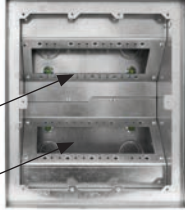
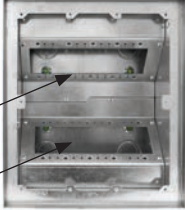
Floor Box Covers

	CFB7G Series		CFB11G Series	
		 Brass	 Aluminum	 Brass
Flange and cover; Beveled edge for carpet	¼" Edging		¼" Edging	
	CFB7CVRBRS	CFB7CVRALU	CFB11CVRBRS	CFB11CVRALU
Flange and cover; Square edge for tile	½" Edging		¼" Edging	
	CFB7TBRS	CFB7TALU	CFB11TBRS	CFB11TALU

Note: Covers provide a recessed area, allowing floor covering to be inserted.

Dimensions in Inches (mm)

Dimensions Inches (mm)

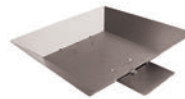
Style	CFB8FC Series	
	8-Gang	8-Gang
	 CFB8FC1	 CFB8FC2
Application	Carpet	Tile, Finished Concrete
Min. Depth of Pour	6.95" [177mm]	7.15" [182mm]
Adjustability	Before Pour	Before Pour
Dimensions:		
A	6.95" (176.5)	7.15" (181.6)
B	15.00" (176.5)	14.75" (374.7)
C	13.00" (330.2)	12.75" (323.9)
Trade Size Knockouts:		
Sidewalls	(4) x 1.5", 1.25", 1" concentric	(4) x 1.5", 1.25", 1" concentric
Back	(4) x 1.5", 1.25", 1" concentric	(4) x 1.5", 1.25", 1" concentric
Bottom	(4) x 1.5", 1.25", 1" concentric	(4) x 1.5", 1.25", 1" concentric
Side View Depth behind mounting plate		
	X = 2.27" (57.7) Y = 4.01" (101.9) Z = 3.13" (79.5)	X = 2.27" (57.7) Y = 4.01" (101.9) Z = 3.13" (79.5)
Accepts industry standard size wallplates (sold separately) 4.63" Maximum Cover Height	One, two, three and four gang plates. Customer configuration dependant.	One, two, three and four gang plates. Customer configuration dependant.
		

Accessories

On-grade Barrier

The on-grade barrier is intended for use on installations at grade level. This accessory is installed prior to the concrete pour and provides a barrier between the soil. The on-grade barrier comes with leveling feet and anchor points.

CFBOGPAN4



Pour Pan Dimensions:
 15.75 in. sq.
 4 in. depth

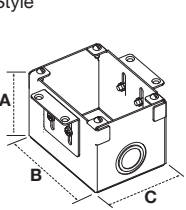


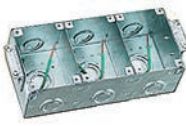


Covers

	CFB8FC1 Covers		CFB8FC2 Covers	
All ballroom floor box covers are machined from Aluminum and have no additional finish options				
Carpet Cover, with 2 egress doors (0.20" depth)	CFB8CVRALU1	-	-	-
Flush cover, with 2 egress doors	-	-	CFB8CVRALU2	-
Blank box cover	-	CFB8JBC1	-	CFB8JBC2
Cover Load Ratings*:				
Recommended Loading	20,000 lb	20,000 lb	20,000 lb	20,000 lb
Maximum Load	40,000 lb	40,000 lb	40,000 lb	40,000 lb

Note: *Load applied through 3" (76mm) mandrel in center of cover. Loads are static and don't apply to rolling loads.




Dimensions in Inches (mm)

Dimensions Inches (mm)

Style	 Collar Material Brass	Rectangular Stamped Steel			Round Cast Iron	
		1-Gang	2-Gang	3-Gang	1-Gang	1-Gang
		 B2481*	 B2482	 B2483	 B2588*	 B2588275*
Adjustability		Semi	Semi	Semi	Non	Non
Cubic Inch (cm3) Capacity Per Gang		42.0 cu. in. (658.3 cm3)	42.5 cu. in. (696.5 cm3)	42.5 cu. in. (696.5 cm3)	18.5 cu. in. (303.2 cm3)	18.5 cu. in. (303.2 cm3)
Dimensions – A		3.13" (79.5)	3.13" (79.5)	3.13" (79.5)	3.65" (92.7)	3.65" (92.7)
Dimensions – B		4.50" (114.3)	4.50" (114.3)	4.50" (114.3)	3.22" (81.8)	3.22" (81.8)
Dimensions – C		3.20" (81.3)	6.42" (163.1)	9.64" (244.9)	4.09" (103.9)	4.09" (103.9)
Threaded Access Holes		–	–	–	Bottom (2) 1/2"	Sides (2) 3/4" Bottom (2) 1/2"
Knockouts – Sides		(1) 1/2", 3/4", 1"	(2) 1/2", 3/4", 1"	(3) 1/2", 3/4", 1"	–	–
Knockouts – Ends		–	–	–	–	–
Knockouts – Bottom		(1) 1/2" - 1 1/4"	(2) 1/2" - 1 1/4"	(3) 1/2" - 1 1/4"	–	–
Debris Cover Included		✓	✓	✓	–	–
Closure Plugs Included		–	–	–	✓	✓
Removable LV Barrier		–	✓	✓	–	–

Note: UL File Number E31999, CSA File Number LR18416.
*Suitable for single service applications only.




Rectangular Flanges (Required)

	SB3083W	SB3084W	SB3085W
Brass	SB3083W	SB3084W	SB3085W
Aluminum	SA3083W	SA3084W	SA3085W
			
No. of Gangs	1-Gang	2-Gang	3-Gang
Dimensions	6.00" x 4.85"	6.00" x 8.13"	6.00" x 11.34"









Round Flanges

S3182	S3082
SA3182	SA3082
	
5.25" Dia.	6.25" Dia.

Round Covers (3.88" Dia.)

S3925	S3725	S2525
SA3925	SA3725	SA2525
		
Duplex Flap	Duplex Screw	2 1/8" x 3/4" Comb.

Covers – One Required per Gang

	S3825	S3625	S3826	S2425
Brass	S3825	S3625	SA3826	SA2425
Aluminum	SA3825	SA3625		
Dimensions	4.15" x 2.99"			
				
	Duplex Flap	Duplex Screw	Style Line® Decorator Opening	2 1/8" x 3/4" Combination
	S2625	S2825	S3425	S3813
Brass	SA2625	–	–	SA3813
Aluminum				
Dimensions	4.15" x 2.99"			
				
	2 1/8" x 1" Combination	2 1/8" Single Receptacle	2 3/8" Single Receptacle	Blank

Round Covers

	S2725	S2925	S3525	S3325
Brass	SA2725	SA2925	–	–
Aluminum				
Dimensions	3.88" Dia.			
				
	2 1/8" x 1" Comb.	2 1/8" Single Receptacle	2 3/8" Single Receptacle	2 1/8" Single Rec. (Terrazzo Floor)

One Piece Brass Cover and Carpet Flange

	SF3925	SF2525	SF2725	SF2925
Brass				
Dimensions	6.25" Dia.			
				
	Duplex Flap	2 1/8" x 3/4" Combination	2 1/8" x 1" Combination	2 1/8" Single Receptacle

Dimensions in Inches (mm)