

Ground Fault Products

Circuit Guard®

Hard Wired 30 Ampere GFCI



Automatic Reset GFCI



Manual Reset GFCI

Circuit Guard Hard Wired 30A GFCI

Description	Voltage	Alarm	Manual Set	Automatic Set
Hard wired, manual set and automatic set GFCIs.	120V AC	None	GFHW13005	GFHW13105
	120V AC	Audible	GFHW13015	GFHW13115
	240V AC	None	GFHW23005	GFHW23105
	240V AC	Audible	GFHW23015	GFHW23115
	120/240V AC	Audible	GFHW33015	GFHW33115
	3∅250V AC	Audible	GFHW530	GFHW531
	3∅120/208V AC	Audible	GFHW430	GFHW431

Note: All units above are stock items.

Build Your Own Catalog Number

Catalog Number Configurator:		Example: Catalog Number: GFHW23015					
GF	HW	2	3	0	1	5	
		Voltage	Amperage	Reset Type	Output Signal	Mounting Style	
Ground Fault	Hard-Wired	1-120 V AC	3 - 30 Amp	0 - Manual	0 - none	5 - Panel Mount/ Surface Mount	
		2- 240 V AC					1 - Automatic
		3-120/240V AC		2 - Line Voltage			
		4-3∅120/208V AC		3 - 24 Volt DC			
		5-3∅250V AC		4 - 12 Volt DC			

Note: 2 to 3 week lead time for all "build your own" catalog numbers.

Specifications

Electrical Ratings	
Rated Voltage	120V AC, 240V AC and 120/240V, 3 ∅ 250V AC, 3 ∅ 120/208V AC.
Operating Voltage Range	85% to 110%.
Current	Up to 30A or device rating.
Frequency	60 Hz.
Trip Level	4-6 mA.
Phase	Single.
Response Time	.025 sec. Max.
Dielectric Withstand	1500 VRMS across contact, 4000 VRMS between conductors and enclosure.
Surge Withstand	6000V impulse, 0.5 microseconds rise time 100 kHz ringing frequency with 40% decay per cycle.
Let go line voltage	60% of rated.
Grounded neutral detection	6 Ohms or less.
Power up	Manual or automatic reset.

Environmental Ratings

Housing Rating	UL Type 4X.
Construction	Industrial grade design.
Type	Class A GFCI.
Operating Temperature	-35°C to +66°C.
Leakage current @ 93% humidity	Zero.

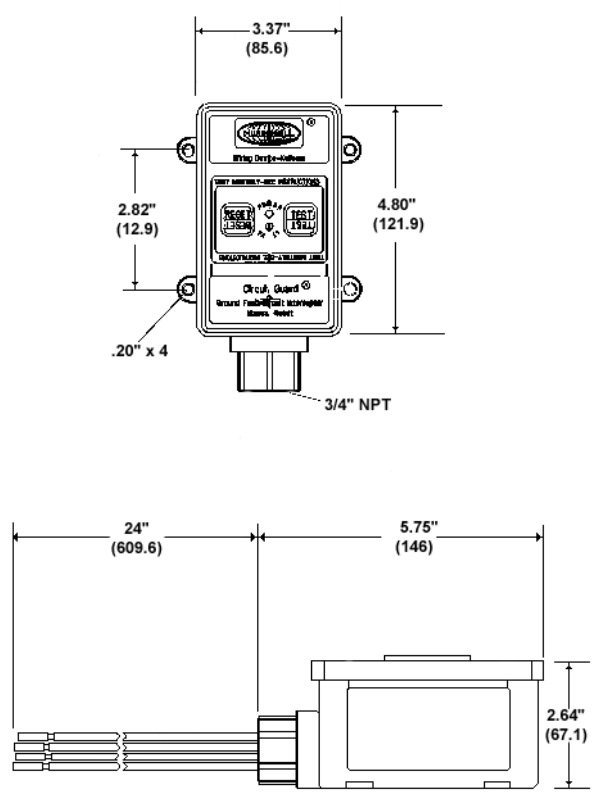
Features

Life (Endurance)	10,000 cycles (6000 w/ load & 4000 w/o load).
Open neutral protection	Trips upon loss of neutral.
Grounded neutral protection	Trips if ground and neutral touch at load side.
Power on indicator	Green light on.
Power off indicator	Red blinking light plus optional audible alarm.
Wiring application	3 Wire Single Phase (Hot, Neutral & Ground) 4 Wire Single Phase (Line 1, Line 2, Neutral and Ground).
Switch interface	Double Insulated.
Latching Mechanism	Electromagnetic.

Physical Specifications

Wire Leads	#10 AWG, 24" long.
Unit Color	Gray with black cover.
Label color on portable and hard wired units	Automatic reset: yellow background w/ black lettering. Manual reset: black background w/ yellow lettering.
Weight	1.40 lbs.

Dimensional Drawing



Dimensions in Inches (mm)