

CIRCUIT-LOCK®

INSULGRIP® MECHANICAL INTERLOCKS



HUBBELL

CIRCUIT-LOCK®
INSULGRIP® Pin & Sleeve
Fused Mechanical Interlock

CAT. NO. HBL-460MPS2W
60 AMP 250VDC/600VAC
15 HP STD - 50 HP MAX

PLUG MUST BE INSERTED
PROPERLY TO TURN ON SWITCH.

TURN OFF TO REMOVE
PLUG OR OPEN ENCLOSURE

ENCLOSURE TYPE 4X, 12K

CAUTION - Risk of electric shock. More than one power supply may be present. Disconnect ALL power to enclosure before servicing (other than fuse replacement).

ATTENTION - Risque de choc électrique. La présence de plus d'un bloc d'alimentation est à surveiller. Débrancher TOUTE alimentation au boîtier avant d'en effectuer l'entretien (autre que le remplacement du fusible).

UL LISTED 250V POWER OUTLET
SP®
Made in U.S.A.

ON

OFF

*Fused and
Unfused
Non-Metallic
Mechanical
Interlocks*



Wiring Device-Kellems

www.hubbell-wiring.com



Hubbell 30A and 60A Fused and Unfused Insulgrip® Mechanical Interlocks



The NEW Hubbell Insulgrip® Mechanical Interlocks incorporate an interlocking receptacle and fused or unfused disconnect switch in a non-metallic enclosure, that meets National Electrical Code requirements for a separate disconnect means within sight of motor loads.

The NEC also requires the disconnecting means in a motor-circuit be listed as "Suitable as Motor Disconnect" if the motor is rated greater than 2 HP. Hubbell's Insulgrip® Mechanical Interlocks meet these requirements in one compact, economical unit. The interlock's receptacles comply with UL standard 1686 C1 configurations, assuring interchangeable electrical configurations with manufacturers of pin & sleeve plugs who meet this standard.

Hubbell's Insulgrip® Mechanical Interlock eliminates the possibility of making and breaking the circuit under load, providing safer connections to portable equipment and extending equipment life. The revolutionary patented Plug-Check® mechanism detects the presence of the plug: if the plug is fully inserted, the switch can be turned "ON". If the plug is not fully inserted, the handle will not engage the switch, therefore reducing damage from abuse and handle breakage due to heavily applied forces. This system is unlike any other in the industry.



Insulgrip® Mechanical Interlocks stand up in harsh and abusive conditions including wash-down areas, dirt, dust, chemicals, impact, heat and vibration. The enclosure is molded of high impact chemical resistant Valox® for enhanced safety and durability and meets UL 50 Type 4X (wash-down, corrosion resistant), 12K (dust-tight) and IP66 suitability requirements.



Hubbell Tough! Hubbell Safe!



Ordering Information

Style II - Fused Mechanical Interlocks

**3 Pole 4 Wire,
250VDC/600VAC**



Amps	Poles/ Wires	Voltage	Receptacle Configuration*	Catalog Numbers	Mating Plug Catalog Numbers
30A	3P 4W	250VDC/600VAC		HBL430MIFS2W	HBL430PS2W
60A	3P 4W	250VDC/600VAC		HBL460MIFS2W	HBL460PS2W

Style II - Unfused Mechanical Interlocks

**3 Pole 4 Wire,
250VDC/600VAC**



Amps	Poles/ Wires	Voltage	Receptacle Configuration*	Catalog Numbers	Mating Plug Catalog Numbers
30A	3P 4W	250VDC/600VAC		HBL430MIS2W	HBL430PS2W
60A	3P 4W	250VDC/600VAC		HBL460MIS2W	HBL460PS2W

Auxiliary Contacts

Description

Auxiliary contact, normally open, A600 pilot duty.
Auxiliary contact, normally closed, A600 pilot duty.

Catalog Numbers

ACFSNO
ACFSNC

Water Tight Closure Plug Kits

Description

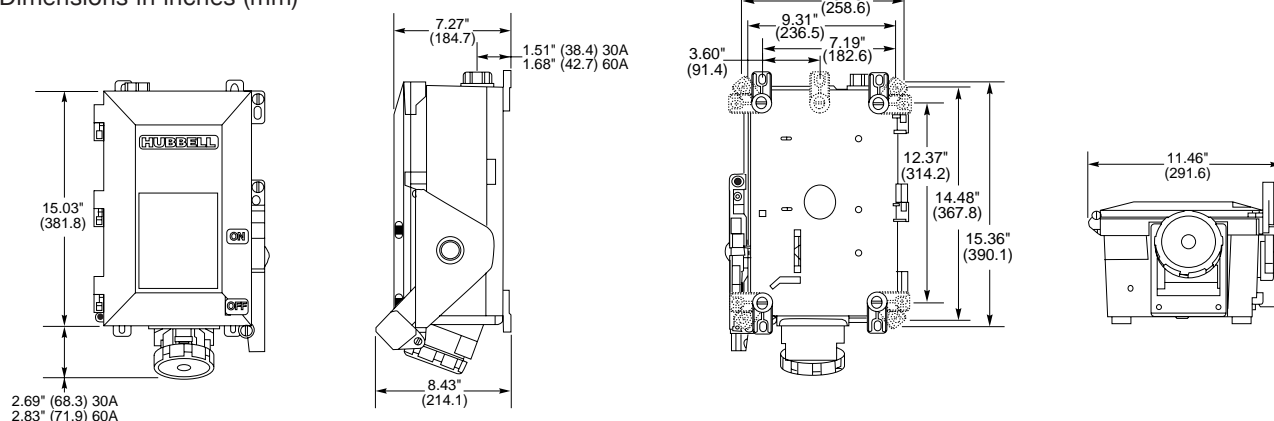
For 30A Circuit-Lock® unfused and fused Pin & Sleeve mechanical interlock.
For 60A Circuit-Lock unfused and fused Pin & Sleeve mechanical interlock.

Catalog Numbers

MICPK30
MICPK60

Dimensions

Dimensions in inches (mm)



Typical Specifications

Manufacturer's Identification	Hubbell HBL460MIFS2W.
Description	Fused Insulgrip® Pin and Sleeve Mechanical Interlock.
Electrical Type	3 Pole + Earth.
Rating	60A, 250VDC/600VAC.
Configuration	Per UL 1686 C1.
Enclosure Type (UL 50)	Outdoor-4X (Watertight, Washdown) Indoor 12K (Dust Tight, Falling Dirt).
Ingress Protection	IP66 Suitability.
Certification	UL Listed, CSA Certified.

This device provides fused switched control of a plug connected load and includes an interlocking feature to prevent the plug from being disconnected or the door from opening while the receptacle is energized. The switch cannot be turned on until the plug is fully inserted.

Materials

Part	Materials
Base, Door and Handle	Valox®
Conduit Hub	Zinc Watertight, 30A-1", 60A-1¼" NPT
Enclosure Gasket and Shaft Seal	Neoprene
Shaft and Mounting Inserts	Brass
Ground Plate	Galvanized Steel
Enclosure Screws & Hinge Spring	Stainless Steel
Hinge Pin	Nickel-Plated Brass
Contact Carrier	Thermoset Polyester

Horsepower Ratings

30A Horsepower Ratings						60A Horsepower Ratings					
3 Phase A.C.			1 Phase A.C.			3 Phase A.C.			1 Phase A.C.		
	Std.	Max.		Std.	Max.		Std.	Max.		Std.	Max.
200-240V	3.0	7.5	120V	0.5	2.0	200-240V	7.5	15.0	120V	1.5	3.0
480V	5.0	15.0	240V	1.5	3.0	480V	15.0	30.0	240V	3.0	10.0
600V	7.5	20.0				600V	15.0	50.0			

Also Available from Hubbell...

Insulgrip® Pin & Sleeve Devices



Hubbell offers a complete line of 30, 60 100 and 200 Amp Insulgrip® plugs, connectors, receptacles, back boxes and accessories.

Different from traditional all-metallic devices, Hubbell Insulgrip Pin & Sleeve are designed to provide metallic shrouding where you want it and a non-metallic housing where you need it.

To find out more about Hubbell's complete line of Pin & Sleeve products visit www.hubbell-catalog.com. Or to order the Insulgrip® Pin & Sleeve Brochure, visit www.hubbellnet.com/newsrelease.



H4634

Performance

Electrical

Dielectric Voltage	Withstands 3,000VAC Min.
Max. Working Voltage	250VDC/600VAC.
Current Interrupting	Certified for current interrupting at full rated current and voltage.
Short Circuit Withstand Rating	Suitable for use on a circuit capable of delivering not more than 100,000 RMS symmetrical amperes at the voltage rating of receptacle.
Operations	Mechanical 10,000 cycles minimum.

Mechanical

Impact Resistance	In accordance with UL 746C.
Terminal Identification	In accordance with UL, CSA and international conventions.
Product Ratings	Ratings are part of the external label and molded into the receptacle housing.
Mounting	External adjustable feet.

Environmental

Moisture Resistance	Outdoor-4X (Watertight, Washdown) Indoor - 12K (Dusttight, Falling dirt).
Ingress Protection	IP66 Suitability.
Flammability	UL94-5VA and V-0 Classification.
Operating Temperatures	Max. Continuous +60°C; Min. Continuous -40°C w/o impact.
UV Resistance	All exposed insulating materials are UV stabilized.
Fuse Types	UL Listed Class "J". CSA Certified HRCI-J.



Wiring Device-Kellems

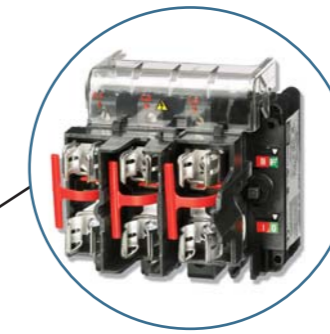
www.hubbellcatalog.com/wiring

Non-metallic enclosure meets UL 50 Type 4X (watertight) 12K (dust-tight) and IP66 suitability requirements. Enclosure is molded of rugged thermoplastic Valox® to resist abuse, corrosion and enhance safety. All external hardware is stainless steel.

Three "molded in" conduit drill points are located on the top, bottom, and back surface of enclosure. Conduit hub provided: 30A 1" NPT, 60A 1 1/4" NPT.

Adjustable mounting feet (4) can be mounted in any 1 of 3 positions for ease of installation.

Compact Fused Disconnect Switch accepts Class "J" fuses. Fuse holders are top mounted for easy access. The switch accepts auxiliary contacts for control circuit applications including the ON/OFF control of remote pilot lights or signal for programmable controllers.



Stainless steel 1/4" turn door fasteners for quick, easy access to fuses.

Removable door for ease of wiring and installation.

Thermoset polyester contact carrier provides resistance to electrical tracking and withstands higher temperatures. Thermoset properties provide excellent dimensional stability, low moisture absorption, and superior dielectric strength.



Spring-loaded receptacle liftcover with gasket ensures dust tight rating; liftcover provides watertight seal when turned and locked.

HBL460MIFS2W

The patented Plug-Check™ mechanism detects the presence of the plug. It operates as a clutch to engage the handle with the switch and captures the plug. This action prevents the plug from being removed until the switch is turned "OFF".

High visibility red handle can be locked in the "OFF" position as a method of compliance with OSHA lockout requirements. Accepts up to a 5/16" padlock shackle. The enclosure door can also be locked to prevent unauthorized access. Additionally, if the switch is "ON", the door cannot be opened.



Conduit hub and mounting feet are supplied with each Insulgrip® Mechanical Interlock.

