

	PAGE
1. 30 Amp, 125 Volt Ship-to-Shore Devices . . .	4-9
2. Telephone and Cable TV Ship-to-Shore Devices . . .	10-11
3. 50 Amp Ship-to-Shore Devices	12-15
4. 100 Amp Ship-to-Shore Devices	16-21
5. 20 Amp Twist-Lock® and Straight Blade Devices	22-23
15 Amp Twist-Lock® and Straight Blade Devices	32-33
6. International Rated Devices	30-31
7. Y-Q Adapter Molded Straight and Y Adapters	26-27
Ship-to-Shore Selection Chart	24-25
8. Portable Ground Fault Circuit Interrupters, Testers and GFCI Receptacles	34-35
9. For Inside the Boat: Receptacles, Switches and Wallplates	36-38
10. Panel Mount Toggle and Rocker Switches (Lighted and Standard Types)	39-40
11. Specialty Switches	41-42
12. Electric Fishing Reel Devices	43
12. Cord Connectors	44
Lighting, Weatherproof Boxes and Covers	45-47
ABYC Standards	49
National Electrical Code	49
Index	50-51



“UL”, “CSA” and “IP” Standards and Ratings:

At the top of each page within this catalog, you will find the various ratings and listings that apply to the products on that page.

Where applicable, most products are **UL Listed and CSA Approved.**

You will also notice an **“IP Suitability Rating”** where applicable. IP suitability ratings are a system for classifying the degree of protection provided by enclosures of electrical equipment. “IP” stands for Ingress Protection and refers to the product’s ability to protect against ingress of foreign objects and water. For additional information please consult the factory.

Specifications subject to change without notice. Not responsible for typographical errors.

The following are registered trademarks of Hubbell Incorporated: Hubbell®, Kellems®, Insulgrip®, Twist-Lock®, Insulgrip Twist-Lock®, Valise®, Chem Marine®, Circuit Guard®, Seal-Tite®, PresSwitch®, Gotcha®, Super Tough Nylon®, Motion Alert®, Selecta-Power®, Style Line.®



Marine Products 30 Ampere, 125 Volt Cable Set

Features and Benefits

UL Listed.

Available in 25', 35' and 50' lengths.

Jute fillers inside jacket for maximum cable flexibility. Hubbell cable coils neater, lighter, lays flatter.

Molded flexneck adds life to cable set by preventing right-angle cable damage and pullout.

Strain relief bull ring protects against stress and strain on the conductors caused by boat movement, crew traffic, rough handling.

Molded design totally encased in solid PVC material, for superior waterproofing and durability.

Exclusive copper crimp barrel termination provides protection against internal overheating and burnout compared to screw terminals or brass crimps. These copper crimps are the same type used by power companies. The result: tighter connections, better conductivity, longer life.

Locking ring assures proper alignment of connector to inlet for complete contact and waterproofing. Prevents accidental disengagement.

Arrow indicating lock position.

Line-up notches to indicate: Locked - Unlocked.

Arrow with ground symbol allows lining up with ground of receptacle.

New improved styling.

Arrow indicating unlock position.



Marine Products
30 Ampere, 125 Volt

2 Pole 3 Wire
Ship-to-Shore Devices



Our 30A, 125V cable set is packed with details end to end that make a high performance difference. Completely factory pre-wired with molded-on devices. Designed to coil easily and lie flat.



IP56
 SUITABILITY
 (Outside)



HBL61CM08W



YC310250

30A 125V Shore Power Cable Set

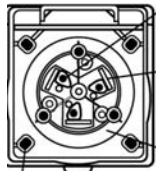
Description	Catalog Numbers
50' yellow vinyl jacketed shore power cable set. #10 AWG is factory pre-wired with molded-on devices. Connector end has non-metallic threaded sealing ring which makes inlet/connector interface watertight.	HBL61CM08
Same as #HBL61CM08 except 35' in length.	HBL61CM05
Same as #HBL61CM08 except 25' in length.	HBL61CM03
50' white shore power cableset.	HBL61CM08W
25' white shore power cableset.	HBL61CM03W
Three conductor, #10 AWG type STW, yellow PVC jacketed portable cord with jute fillers for added flexibility. Ideal for making cable sets, extension cord, and adapters as it will not mark boat's deck. 250' lengths only.	YC310250
Three conductor, #10 AWG type STW, white PVC jacketed portable cord with jute fillers for added flexibility. Ideal for making cable sets, extension cord, and adapters as it will not mark boat's deck. 280' lengths only.	WC310280



Marine Products Stylized Line of Shore Power Inlets

Contemporary Styling — Hubbell Quality

30 Amp Interior



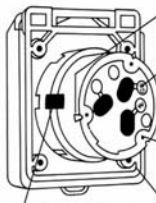
Fits most mounting patterns.

Contacts are nickel plated brass for corrosion resistance.

New easy-to-wire interior is transparent for quick, visual inspection of terminations.

Includes #SR3050 protective rear enclosure cap attaches to contact carrier with 3 screws.

50 Amp Interior



Thermoset contact carrier is arcing and heat resistant.

Notched contact carrier enables wiring of interior while in place.

Pressure screw terminals for secure terminations - clearly marked for easy identification.

Optional #SR3050 protective rear enclosure cap attaches to contact carrier with 3 screws.

Fits most mounting patterns.

Take advantage of these contemporary shore power inlets – in either rugged thermoplastic or corrosion resistant stainless steel – to add the finishing touch to a boat going into production or to modernize a boat that's seen many seasons of use. Both the gleaming, white Centrex® non-metallic models and the brushed, type 316 stainless steel models offer the same features. For starters, you'll be glad to hear that these Hubbell shore power inlets install as easy as 1-2-3 and match most mounting patterns available. Then you'll discover that they have a lot of built-in extras like a friction-tight cover that automatically holds the cover open while inserting the cable set. Plus, you'll find inside a genuine Hubbell wiring device with all of the quality characteristics that have made Hubbell the marine electrical products leader. What's more, you can complement these stylish devices with phone and TV inlets for a complete family.

Stylized Watertight Stainless Steel Shore Power Inlet Series

- #316 stainless steel for corrosion resistance.
- Does not require screwing down of cover for water resistance.
- Fully watertight when locked closed to comply with ABYC recommendations (E-8.21).

Stylized Weatherproof Non-Metallic Shore Power Inlet Series

- Centrex non-metallic cover is specifically designed for outdoor use with outstanding UV resistance, impact resistance and weatherability.
- Meets ABYC (E-8.21) recommendations for inlets installed in weatherproof areas.



Centrex® is a registered trademark of Monsanto; Rynite® is a trademark of E. I. DuPont.



Marine Products
30 Ampere, 125 Volt
2 Pole 3 Wire
Ship-to-Shore Devices



IP56
 SUITABILITY Inlets Only.



30A 125V Ship-to-Shore Devices

Description	Catalog Numbers
Stylized UV resistant non-metallic shore power inlet has white Centrex cover which makes unit weatherproof when completely closed. Interior has easy-to-wire terminations and is transparent for quick and easy visual inspection. Mounting holes are 2 3/8" (60.3) on centers and match existing mounting patterns. Mounting screws and gasket included. Protective rear enclosure/strain relief also included.	HBL303NM
Stylized type 316 stainless steel shore power inlet has easy to use push-button latch that makes unit watertight when fully engaged. Interior has easy-to-wire terminations and is transparent for quick and easy visual inspection. Mounting holes are 2 3/8" (60.3) on centers and match existing mounting patterns. Mounting screws and gasket included. Protective rear enclosure/strain relief also included.	HBL303SSBL
Traditional, stainless steel shore power inlet has new easy-to-wire terminations. Interior is transparent for quick and easy visual inspection. Interior is shielded from the elements by a gasketed, self-closing cover, watertight when cover is screwed in place. Mounting holes are 2 3/8" (60.3) on centers. Mounting screws and gasket included. Protective rear enclosure/strain relief also included.	HBL303SS
Protective rear cover. Fits all 30 Amp shore power inlets. Secures to back of inlets with 3 screws which are provided.	SR3050
Replacement interior for #HBL303SS and #60CM61 shore power inlets.	HBL303INT
Nickel plated brass adapter plate for mounting chrome plated brass shore power inlets to FS/FD box.	HBL60CM75*
Stainless steel power outlet has gasketed, self-closing cover, watertight when cover is screwed in place. Mounting holes are 2 3/8" (60.3) on centers. Mounting screws and gasket included.	HBL303SSO

*Not shown.



HBL303NM

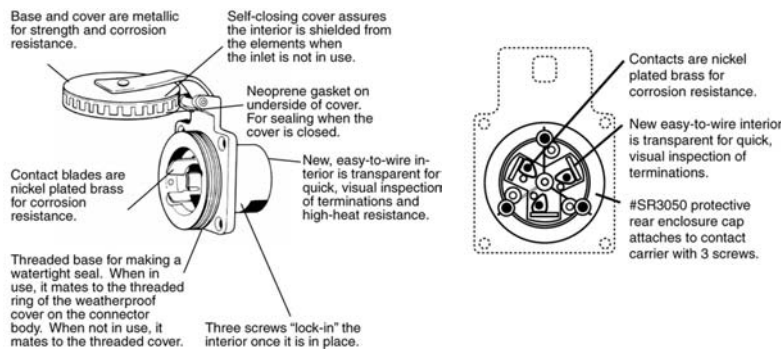


HBL303SSBL



HBL303SS

30A 125V Traditional Metallic Inlets



SR3050



HBL303SSO



Marine Products
30 Ampere, 125 Volt
2 Pole 3 Wire
Ship-to-Shore Devices



HBL26CM10



HBL26CM11



HBL60CM31



HBL26CM13



HBL60CM33



HBL60CM32



Plugs, receptacles and connectors only.



Plugs and connectors only.



30A 125V Ship-to-Shore Devices

Description	Catalog Numbers
Yellow single receptacle has Rynite® body and abuse resistant nylon face.	HBL26CM10
Yellow Insulgrip® plug has rugged nylon housing and cord grip with range of .325" to .930" (8-24) that utilizes a unique offset jaws arrangement to provide secure strain relief.	HBL26CM11
Yellow Seal-Tite® cover for weatherproofing #HBL26CM11 or #HBL23CM11 plugs. IP55 SUITABILITY. <i>Note: Fits Insulgrip® devices only.</i>	HBL60CM31
White vinyl Seal-Tite® cover for weatherproofing #HBL26CM11 or #HBL23CM11 plugs. IP55 SUITABILITY. <i>Note: Fits Insulgrip® devices only.</i>	HBL60CM31W*
Yellow Insulgrip® connector body has rugged nylon housing and cord grip with range of .325" to .930" (8-24) that utilizes a unique offset jaws arrangement to provide secure strain relief	HBL26CM13
Yellow Seal-Tite® cover for weatherproofing #HBL26CM13 or #HBL23CM13 connector bodies when used with shore power inlets. Threaded sealing ring makes connection watertight. Also for weatherproofing #HBL26CM11 plug when used with #HBL303SSO power outlet. IP56 SUITABILITY. <i>Note: Fits Insulgrip® devices only.</i>	HBL60CM33
White Seal-Tite® cover for weatherproofing #HBL26CM13 or #HBL23CM13 connector body when used with shore power inlets. Threaded sealing ring makes connection watertight. Also for weatherproofing #HBL26CM11 plug when used with #HBL303SSO power outlet. IP56 SUITABILITY. <i>Note: Fits Insulgrip® devices only.</i>	HBL60CM33W*
Yellow Seal-Tite® cover for weatherproofing #HBL26CM13 or #HBL23CM13 connector body when used on extension cords or adapters. IP55 SUITABILITY. <i>Note: Fits Insulgrip® devices only.</i>	HBL60CM32
Yellow polycarbonate spring-loaded lift cover plate for weatherproofing <i>old</i> style #26CM10 receptacle. Meets the most stringent requirements of UL's three listing categories for weatherproof plates. Stainless steel screws and neoprene gasket included for mounting to FS/FD type weatherproof boxes. IP44 SUITABILITY.	HBL74CM24WO**
Same as #HBL74CM24WO except gray in color. IP44 SUITABILITY.	HBL7424WO**
Yellow polycarbonate spring-loaded lift cover plate for weatherproofing #HBL26CM10 receptacle. Meets the most stringent requirements of UL's three listing categories for weatherproof plates. Stainless steel screws and neoprene gasket included for mounting to FS/FD type weatherproof boxes. IP44 SUITABILITY.	HBL74CM25WOA**
Same as #HBL74CM25WOA except gray in color. IP44 SUITABILITY.	HBL7425WOA**
Stainless steel wallplate for <i>old</i> #23CM10 or #26CM10.	S725*
Stainless steel wallplate for new #HBL23CM10 or #HBL26CM10.	S720*

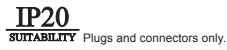
*Not shown.

**See page V-47 for photo.

Rynite® is a registered trademark of E. I. Dupont.



Marine Products
30 Ampere, 125 Volt
2 Pole 3 Wire
Ship-to-Shore Devices



30A 125V Ship-to-Shore Devices

Description	Catalog Numbers
Yellow Valise® plug has one-piece nylon housing and assembles easily with two screws. Built-in cord grip has range of .590"-.930" (15.0-23.6).	HBL26CM11V
Black Valise® plug for use on bass boats with trolling motor. One-piece nylon housing assembles easily with two screws. Built-in cord grip has a range of .590"-.930" (15.0-23.6).	HBL26CM11VB
Yellow vinyl Seal-Tite® cover for weatherproofing #HBL23CM11V or #HBL26CM11V plugs. IP55 SUITABILITY. <i>Note: Fits Valise® devices only.</i>	HBL60CM31V
Yellow Valise® connector body has a one-piece nylon housing and assembles easily with two screws. Built-in cord grip has range of .590"-.930" (15.0-23.6).	HBL26CM13V
Yellow vinyl Seal-Tite® cover for #HBL26CM13V connector body when used with shore power inlets. Threaded sealing ring makes connection watertight. IP56 SUITABILITY. <i>Note: Fits Valise® devices only.</i>	HBL60CM33V
Yellow vinyl Seal-Tite® cover for weatherproofing #HBL23CM13V or #HBL26CM13V connector bodies when used on extension cords or adapters. IP55 SUITABILITY. <i>Fits Valise® devices only.</i>	HBL60CM32V
Replacement non-metallic sealing ring for 30A cable sets and boots.	RPL30P



HBL26CM11V



HBL26CM11VB



HBL60CM31V



RPL30P



HBL26CM13V

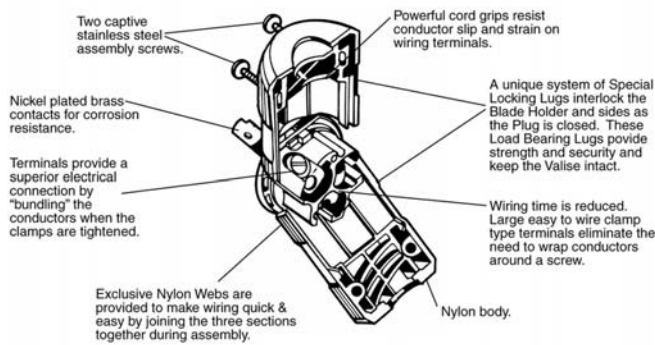


HBL60CM33V



HBL60CM32V

Valise Plug



Marine Products
Telephone & Cable TV
Ship-to-Shore Devices



HBLPHTVNM



HBLPHTVRI



HBLPHTVSS



PH6625



PH6624



PH7440

IP56
 SUITABILITY Inlets only.

Telephone and Cable TV Ship-to-Shore Devices

Description	Catalog Numbers
Stylized non-metallic inlet provides telephone and cable TV connections in one unit. UV resistant white Centrex cover makes unit weatherproof when completely closed. Mounting holes are 2 3/8" (60.3) on centers and match existing mounting patterns. Mounting screws and gasket provided.	HBLPHTVNM
Stylized stainless steel (Type 316) inlet provides telephone and cable TV connections in one unit. Easy to use push-button latch makes unit watertight when fully engaged. Mounting holes are 2 3/8" (60.3) on centers and match existing mounting patterns. Mounting screws and gasket provided.	HBLPHTVRI
Traditional stainless steel inlet provides connections for telephone and cable TV in one unit. Connections can be used individually or together. Gasketed cover is self-closing so interior is shielded from the elements when not in use. Watertight when cover is screwed in place. Mounting holes are 2 3/8" (60.3) on centers. Mounting screws and gasket included.	HBLPHTVSS
Replacement interior for #PH6594TV and #HBLPHTV series inlets.	CR16914*
Factory pre-wired 50' (15.2m) telephone cable set. Uses 3 conductor, #16 AWG type SJTO, yellow vinyl cord for marine and recreational vehicle applications. IP55 SUITABILITY.	PH6599
Same as #PH6599 except white. IP55 SUITABILITY.	PH6599W
Same as #PH6599 except 25' (7.6m) in length. IP55 SUITABILITY.	PH6598
Same as #PH6598 except white. IP55 SUITABILITY.	PH6598W
Three conductor, #16 AWG type SJTO, yellow PVC jacketed portable cord with jute fillers for added flexibility. Ideal for making cable sets, extension cords and adapters as it will not mark boat's deck. For use with telephone systems only and available in 250' (76.2m) lengths only.	PH6630*
Black locking type plug for telephone cable sets or adapters.	PH6625
Black locking type connector body used on telephone cable sets or adapters.	PH6624
Yellow Seal-Tite® cover for weatherproofing #PH6624 connector body on cable sets when connecting to an inlet and for weatherproofing #PH6625 plug. IP55 SUITABILITY.	PH7440
Yellow Seal-Tite cover for weatherproofing #PH6624 connector body when used on extension cords or adapters. IP55 SUITABILITY.	PH7499*

*Not shown.



PH6598
 PH6599
 PH6598W
 PH6599W



Marine Products
Telephone & Cable TV
Ship-to-Shore Devices

IP55
SUITABILITY

Telephone and Cable TV Ship-to-Shore Devices

Description	Catalog Numbers
Black polycarbonate combination telephone/TV outlet with spring-loaded weatherproof lift cover. Can be wired for telephone service only or for telephone and MATV/CATV services in one FS/FD box in both marinas and RV parks. Can be padlocked to prevent unauthorized use.	PH6597TV
Black polycarbonate telephone outlet has gasketed, spring-loaded lift cover for weatherproofing. Designed for mounting to FS/FD type weatherproof boxes (like #PH6619) in both marinas and RV parks.	PH6597
Black polycarbonate cable TV outlet has nickel plated coax connector and gasketed spring-loaded lift cover for weatherproofing. Designed for mounting to FS/FD type weatherproof boxes (like #PH6619) in both marinas and RV parks.	TV97
Black polycarbonate telephone outlet has gasketed, spring-loaded lift cover for weatherproofing. Can be used to retrofit old style telephone outlets of Pauluhn Manufacturing Company (#2833 and #2843) in both marinas and RV parks.	PH6596
Black non-metallic FS box with 3/4" threaded hubs used for mounting phone and TV outlets and #PH6595 recreational vehicle inlet (see #PH6621 for mounting box on recreational vehicle). Cord connector included for strain relief and to maintain watertight integrity of box when cable is used. PVC adapter also included for connection of PVC conduit to box.	PH6619
Stainless steel bracket for mounting #PH6619 FS box to recreational vehicles when used with #PH6595 inlet.	PH6621*
Black polycarbonate RV inlet for telephone connection only. Has spring-loaded, gasketed weatherproof lift cover designed for mounting to FS/FD type weatherproof boxes.	PH6595
50' (15.2m) yellow jacketed ship-to-shore TV cable set is the industry standard 75 Ohm, RG59-U with male plugs on both ends. Adapter included for a quick, slip-on connection to inlet on boat.	TV99
Same as #TV99 except white.	TV99W
Same as #TV99 except 25' (7.6m) in length.	TV98
Same as #TV98 except white.	TV98W

*Not shown.



TV98
 TV99
 TV98W
 TV99W



PH6597TV



PH6597



TV97



PH6596



PH6619



PH6595



Marine Products
50 Ampere, 125 Volt
 2 Pole 3 Wire
Ship-to-Shore Devices



HBL503NM



HBL503RI



HBL503SS



HBL63CM60



HBL77CM15



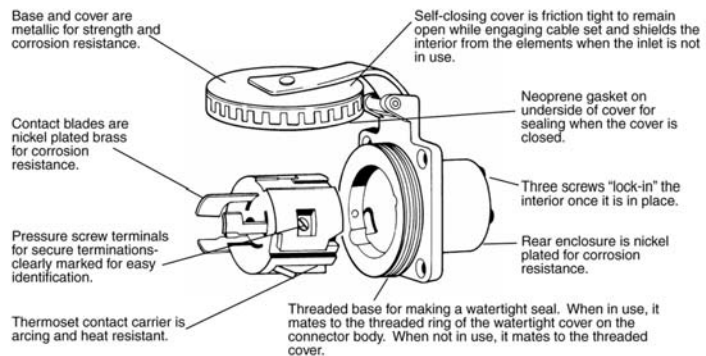
HBL77CM17

50A 125V Ship-to-Shore Devices

Description	Catalog Numbers
Stylized non-metallic shore power inlet has UV resistant white Centrex cover which makes unit weatherproof when completely closed. Interior has easy to wire terminals. Mounting holes are 2 3/8" (60.3) on centers and match existing mounting patterns. Mounting screws and gasket included.	HBL503NM
Stylized type 316 stainless steel shore power inlet has easy to use push-button latch that makes unit watertight when fully engaged. Interior has easy to wire terminals. Mounting holes are 2 3/8" (60.3) on centers and match existing mounting patterns. Mounting screws and gasket included.	HBL503RI
Traditional stainless steel shore power inlet has gasketed, self-closing cover so interior is shielded from the elements when not in use. Watertight when cover is securely fastened. Mounting holes are 2 3/8" (60.3) on centers, and rear portion has 2.171" (55.1) diameter. Mounting screws and gasket included.	HBL503SS
Protective rear cover. Fits all inlets except HBL503SS	SR3050*
Secures to back of inlets with 3 screws which are provided.	
Replacement interior for #HBL503SS and #63CM72 shore power inlets.	CR16277*
Nickel plated brass connector body has heat resistant thermoset interior and combination metal and rubber cord grip provides superior strain relief capability. Cord grip range is .437"-1.140" (11.1-29.0).	HBL63CM60
Yellow Seal-Tite® cover for connector bodies when used with 50A shore power inlets. Threaded sealing ring makes connections watertight. IP56 SUTABILITY.	HBL77CM15
White Seal-Tite® cover for connector bodies when used with 50A shore power inlets. Threaded sealing ring makes connections watertight. IP56 SUTABILITY.	HBL77CM15W*
Nickel plated brass cord clamp assembly with clamp range of .437"-1.140" (11.1-29.0) provides strain relief for terminations on shore power inlets.	HBL77CM67*
Yellow Seal-Tite® cover for weatherproofing 50A connector bodies on extension cords or adapters. IP55 SUTABILITY.	HBL77CM17

*Not shown.

50A Traditional Metallic Inlets



Marine Products
50 Ampere, 125 Volt
 2 Pole 3 Wire
Ship-to-Shore Devices



Plugs and receptacles only.



Plugs and receptacles only.



50A 125V Ship-to-Shore Devices

Description	Catalog Numbers
50' (15.2m) yellow vinyl jacketed shore power cable set. #6 AWG type STOW is completely factory pre-wired with molded-on devices. Connector end has threaded metallic sealing ring to make inlet/connector interface watertight. IP56 SUITABILITY (BOATSIDE).	HBL61CM53
Same as #HBL61CM53, except white. IP56 SUITABILITY (BOATSIDE).	HBL61CM53W
Same as #HBL61CM53, except 25' (7.6m) in length. IP56 SUITABILITY (BOATSIDE).	HBL61CM43
3 conductor, #6 AWG type STOW, yellow PVC jacketed portable cord with jute fillers for added flexibility. Ideal for making cable sets, extension cords, and adapters and will not mark boat's deck. 250' (75.2m) lengths only.	YC306250*
Nickel plated brass plug has heat resistant thermoset interior and combination metal and rubber cord grip, provides superior strain relief capability. Cord grip range is .437"-1.140" (11.1-29.0).	HBL63CM61
Yellow Seal-Tite® cover for weatherproofing 50A plugs. IP55 SUITABILITY.	HBL77CM16
White Seal-Tite® cover for weatherproofing 50A plugs. IP55 SUITABILITY.	HBL77CM16W*
Single receptacle has a heat resistant thermoset base.	HBL63CM70
Yellow Valox® lift cover plate for weatherproofing 50A receptacles. Meets requirements of the most stringent of UL's three listing categories for weatherproof plates. Stainless steel screws and a neoprene gasket included. For mounting to FS/FD type weatherproof boxes. IP44 SUITABILITY.	HBL77CM74WO
Same as #HBL77CM74WO except gray in color. IP44 SUITABILITY.	HBL774WO
Stainless steel wallplate for 50A receptacle.	S750

*Not shown.



HBL63CM61



HBL77CM16



HBL63CM70



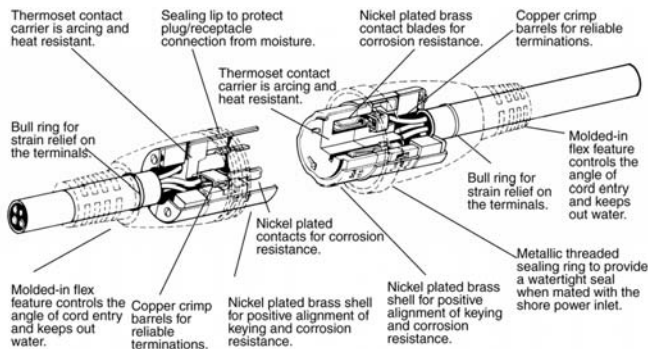
HBL77CM74WO
HBL774WO



S750



50A Molded Cable Sets



Valox® is a registered trademark of General Electric Company.

Marine Products
50 Ampere, 125/250 Volt
 3 Pole 4 Wire
Ship-to-Shore Devices



HBL504NM



HBL504RI



HBL504SS



HBL63CM64



HBL77CM15



HBL77CM17



Chrome brass inlets and connectors only.



Inlets only.

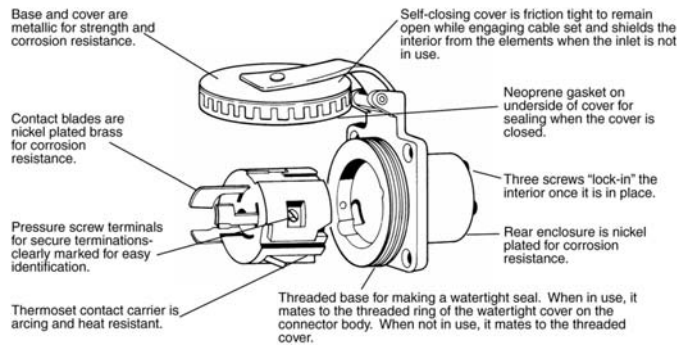


50A 125/250V Ship-to-Shore Devices

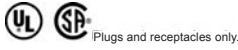
Description	Catalog Numbers
Stylized non-metallic shore power inlet has UV resistant white Centrex cover which makes unit weatherproof when completely closed. Interior is heat resistant thermoset material and has box lug terminals. Mounting holes are 2 3/8" (60.3) on centers and match existing mounting patterns. Mounting screws and gasket included.	HBL504NM
Stylized type 316 stainless steel shore power inlet has easy to use push-button latch that makes unit watertight when fully engaged. Interior is heat resistant thermoset material and has box lug terminals. Mounting holes are 2 3/8" (60.3) on centers and match existing mounting patterns. Mounting screws and gasket included.	HBL504RI
Traditional stainless steel shore power inlet has gasketed, self-closing cover so that the interior is shielded from the elements when not in use. It is watertight when the cover is securely fastened. The mounting holes are 2 3/8" (60.3) on centers, and the rear portion has a 2.171" (55.1) diameter. Mounting screws and gasket are included.	HBL504SS
Protective rear cover. Fits all inlets except HBL504SS. Secures to back of inlets with 3 screws which are provided.	SR3050*
Replacement interior for #63CM74 and #HBL504SS power inlets.	CR16279*
Nickel plated brass connector body has a heat resistant thermoset interior and combination metal and rubber cord grip, which provides superior strain relief capability. Cord grip range is .437"-1.140" (11.1-29.0).	HBL63CM64
Yellow Seal-Tite® cover for connector bodies when used with 50A shore power inlets. Threaded sealing ring makes connections watertight. IP56 SUITABILITY.	HBL77CM15
White Seal-Tite® cover for connector bodies when used with 50A shore power inlets. Threaded sealing ring makes connections watertight. IP56 SUITABILITY.	HBL77CM15W*
Nickel plated brass cord clamp assembly with clamp range of .437"-1.140" (11.1-29.0) provides strain relief for terminations on shore power inlets.	HBL77CM67*
Yellow Seal-Tite® cover for weatherproofing 50A connector bodies on extension cords or adapters. IP55 SUITABILITY.	HBL77CM17

*Not shown.

50A Traditional Metallic Inlets



Marine Products
50 Ampere, 125/250 Volt
 3 Pole 4 Wire
Ship-to-Shore Devices



HBL63CM65



HBL77CM16



HBL63CM69



HBL77CM74WO
HBL7774WO



S750

50A 125/250V Ship-to-Shore Devices

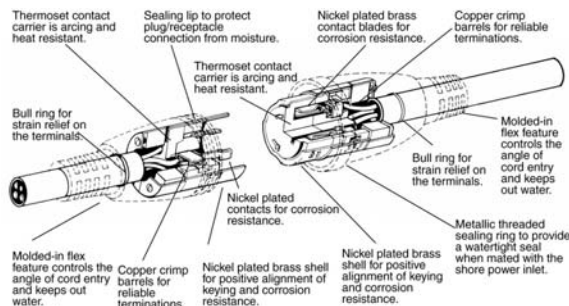
Description	Catalog Numbers
50' (15.2m) yellow vinyl jacketed shore power cable set, #6 AWG type STOW is completely factory pre-wired with molded-on devices. The connector end has a metallic threaded sealing ring for making the inlet/connector interface watertight. IP56 SUITABILITY (BOATSIDE).	HBL61CM52
Same as #HBL61CM52, except white. IP56 SUITABILITY (BOATSIDE).	HBL61CM52W
25' (15.2m) yellow vinyl jacketed shore power cable set, #6 AWG type STOW is completely factory pre-wired with molded-on devices. The connector end has a metallic threaded sealing ring for making the inlet/connector interface watertight. IP56 SUITABILITY (BOATSIDE).	HBL61CM42
Same as #HBL61CM42, except white. IP56 SUITABILITY (BOATSIDE).	HBL61CM42W
Four conductor, #6 AWG type STOW, yellow PVC jacketed portable cord with jute fillers for added flexibility is ideal for making cable sets, extension cords, and adapters as it will not mark the boats deck. Available in 250' (76.2m) lengths only.	YC406250*
Nickel plated brass plug has a heat resistant thermoset interior and combination metal and rubber cord grip, which provides superior strain relief capability. Cord grip range is .437"-1.140" (11.1-29.0).	HBL63CM65
Yellow Seal-Tite® cover for weatherproofing 50A plugs. IP55 SUITABILITY.	HBL77CM16
White Seal-Tite® cover for weatherproofing 50A plugs. IP55 SUITABILITY.	HBL77CM16W*
Single receptacle has a heat resistant thermoset base.	HBL63CM69
Yellow Valox® lift cover plate for weatherproofing 50A receptacles. Meets requirements of the most stringent of UL's three listing categories for weatherproof plates. Stainless steel screws and a neoprene gasket included. For mounting to FS/FD type weatherproof boxes. IP44 SUITABILITY.	HBL77CM74WO
Same as #HBL77CM74WO except gray in color. IP44 SUITABILITY.	HBL7774WO
Stainless steel wallplate for 50A receptacle.	S750

*Not shown.



HBL61CM52
HBL61CM52W
HBL61CM42
HBL61CM42W

50A Molded Cable Sets



Valox® is a registered trademark of General Electric Company.



Marine Products

100 Ampere, 125/250 Volt and 3ØY 120/208 Volt

3, 4, & 5 Wire

Ship-to-Shore Cable Sets



Hubbell Marine was the first to offer marine grade 100 amp pin & sleeve devices. Having recognized the need and growing demand for 100 amp shore power devices, Hubbell worked with the National Electric Code and American Boat and Yacht Council to standardize on these devices. Now Hubbell Wiring Device-Kellems is offering a complete system of 3, 4 & 5 wire 100 amp cable sets for your shore power requirements. Using Hubbell marine pin & sleeve devices considered second to none, the 100 amp cable set offering will allow you to access the power that you need from a cable set that is now manufactured under factory controlled conditions.

Features	Benefits
Factory assembled.	Reliable and consistent terminations.
100 Amp pin & sleeve devices.	Rugged, watertight UL listed, ABYC approved, corrosion resistant.
UL Listed 100 amp cable.	High visibility yellow, STOW cable, 105° C rated, and UL listed.
Breadth of line.	Available in 75, 100, and 125 ft. lengths with and without a neutral. Fifty foot extension cords also available.
100% inspection.	Each cable set will be tested to ensure quality performance.

