

Marine Products

50 Ampere, 125/250 Volt Twist-Lock® Devices

3 Pole 4 Wire
Ship-to-Shore Devices



Plugs and receptacles only.



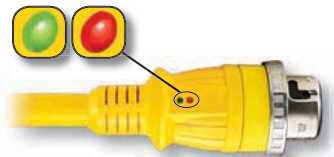
50A 125/250V Ship-to-Shore Devices

Description	Catalog Numbers
Yellow 50 ft. (15.2m) vinyl jacketed shore power cable set, #6 AWG type STOW is completely factory pre-wired with molded-on devices. The connector end has a metallic threaded sealing ring for making the inlet/connector interface watertight. IP56 SUITABILITY (BOATSIDE).	HBL61CM52
Same as HBL61CM52 except with two high intensity LEDs.	HBL61CM52LED •
Same as HBL61CM52 except white.	HBL61CM52W
Same as HBL61CM52W except with two high intensity LEDs.	HBL61CM52WLED •
Yellow 25 ft. (7.6m) vinyl jacketed shore power cable set, #6 AWG type STOW is completely factory pre-wired with molded-on devices. The connector end has a metallic threaded sealing ring for making the inlet/connector interface watertight. IP56 SUITABILITY (BOATSIDE).	HBL61CM42
Same as HBL61CM42 except with two high intensity LEDs.	HBL61CM42LED •
Same as HBL61CM42 except white.	HBL61CM42W
Same as HBL61CM42W except with two high intensity LEDs.	HBL61CM42WLED •
Four conductor, #6 AWG type STOW, yellow PVC jacketed portable cord with jute fillers for added flexibility is ideal for making cable sets, extension cords, and adapters that will not mark the boats deck. Available in 250 ft. (76.2m) lengths only.	YC406250
Nickel plated brass plug has a heat resistant thermoset interior and combination metal and rubber cord grip, which provides superior strain relief capability. Cord grip range is .44–1.14 in. (11.1–29.0). IP20 SUITABILITY.	HBL63CM65
Yellow Seal-Tite® cover for weatherproofing 50A plugs. IP55 SUITABILITY.	HBL77CM16+
White Seal-Tite® cover for weatherproofing 50A plugs. IP55 SUITABILITY.	HBL77CM16W+
Single receptacle has a heat resistant thermoset base. IP20 SUITABILITY.	HBL63CM69
Yellow Valox® lift cover for weatherproofing 50A receptacles. Meets requirements of the most stringent of UL's three listing categories for weatherproof plates. Stainless steel screws and a neoprene gasket included. For mounting to FS/FD type weatherproof boxes. IP44 SUITABILITY.	HBL77CM74WO
Same as HBL77CM74WO except gray in color. IP44 SUITABILITY.	HBL7774WO
Stainless steel wall plate for 50A receptacle.	SS750

Notes: + Boots are not UL listed.
• Features and benefits on page 14.



HBL61CM52
HBL61CM52W
HBL61CM42
HBL61CM42W



HBL63CM65



HBL77CM16



HBL63CM69

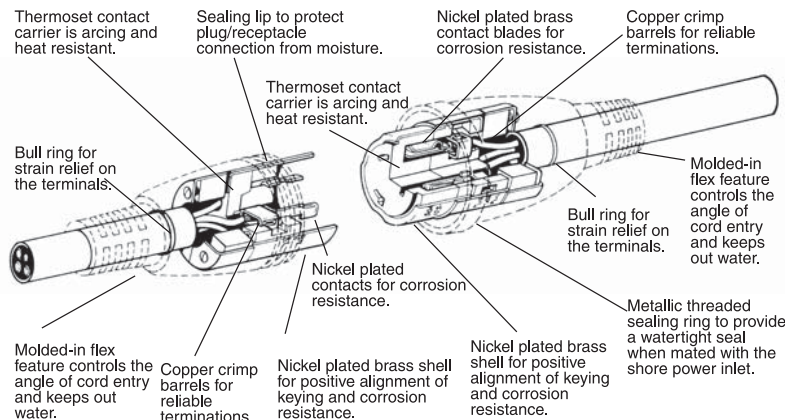


HBL77CM74WO



SS750

50A Molded Cable Sets



Valox® is a trademark of SABIC Innovative Plastics, acquired from General Electric Company.

