

NEXTSPEED®

Jacks

HUBBELL

Ascent Category 6A Jack

Features

- Third Party Verified Category 6A Component Exceeds TIA and ISO Limits
- Exclusive 1-Punch Termination Reduces Termination Time by 75%
- Qualified to 150% of 802.3bt PoE Current Level

Ordering Information

Description	Color	Catalog No.	UPC
NEXTSPEED Ascent Category 6A Component Jack, 25 Jacks	White	HJ6AW25	662620214122

Listings

ANSI/TIA/EIA-568-C.2 Category 6A component
 ISO 11801/60603-7-41 Category 6A component
 Mechanical: Verified to TIA-568-C.2
 UL Listed 1863
 Mechanical TIA-568-C.2
 RoHS Compliant

Specifications

Nose Contact	Beryllium copper with precious metal plating with nickel under-plating
IDC Contact	Phosphor bronze with 100 micro-inch tin lead 60/40 plating over nickel under plating
Housing	High impact thermoplastic (UL 94 V-0)
Packaging	Carton 100% recycled material - bag 85% recycled material

Performance

Electrical

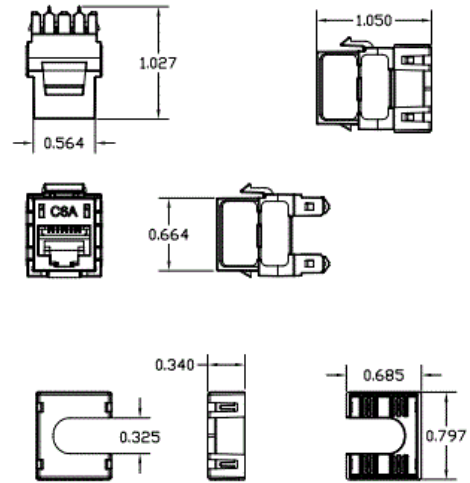
4.5db min NEXT margin over TIA 568-C.2 component at 500MHz
 1.5 dB min NEXT margin over ISO component
 Qualified to 150% of 802.3bt PoE Current Level
 Enhanced common mode design eliminates residual and reflected NEXT and ANEXT

General Information

Backward compatible to Category 6, & 5e
 Icon Compatible Supporting 606-B requirements
 HJ6Axx Jacks are not compatible with RJ11, RJ14 or RJ25 6-position plugs
 100% factory tested

Mechanical

Nose Contact Mating Cycles: 2000
 IDC Contact Termination: 10x
 Keystone Latching Force: 25 lbs.
 Contact performance confirmed over the full range of ISO/FCC compliant plug



Accessories

1-Punch Tool	TX4P6A
Category 6A Patch Cord	HC6AW03
Dust Cover	HXJDC25
Ascent Termination Puck	HJTP6A25
Category 6A Cable	C6ASPB

Online Resources

Customer Use Drawing
 eCatalog

Applications

IEEE 802.3an 10GBASE-T
 IEEE 802.3bt 4PPoE Power over Ethernet
 IEEE 802.11ac and IEEE 802.11ax WAP Deployments

