



Marine Products  
**100 Ampere, 125/250 Volt**  
 3 Pole 4 Wire  
**Ship-to-Shore Devices**



**IP67**  
 SUITABILITY



**100A 125/250V Ship-to-Shore Devices**

Description	Catalog Numbers
Yellow supertough nylon watertight plug has gasketed locking ring to make plug/receptacle interface watertight. Cord grip range is 1.000"-1.940" (25.4-49.3).	<b>M4100P12</b>
Gray nylon dockside receptacle has gasketed, spring-loaded cover. Closes automatically when not in use and is watertight when securely fastened. Mounting holes are 4 <sup>7</sup> / <sub>8</sub> " (123.8) on centers. Mounting screws and gasket included.	<b>M4100R12</b>
Yellow supertough nylon watertight connector body for mating plug to connector interface on extension cords or adapters. Cord grip range is 1.000"-1.940" (25.4-49.3). Note: It cannot be mated to the shore power inlet.	<b>M4100C12</b>
Back box for inlets and receptacles has 15° angle section which can be installed in any of 4 positions. Box is cast aluminum with corrosion resistant gray alkyd-based enamel finish and 1 1/2" N.P.T. hub which can be mounted for either top or bottom feed.	<b>FW60100</b>
Closure Cap for 100A plugs and connector bodies that do not have a cap attached.	<b>PC100</b>
Replacement cover assembly; includes cover, arm and assembly tool	<b>CA100</b>

*Note: Periodic cleaning and lubrication (such as LPS-1 made by Holt Lloyd Corp.) of the pins and sleeves of these devices is necessary to enjoy years of optimal use.*



M4100P12



M4100R12



M4100C12



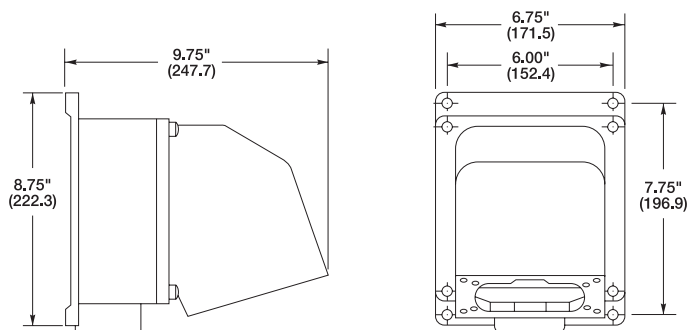
FW60100



PC100



CA100



FW60100

**100A Connector Body**

The gasketed locking ring engages the mating device and when rotated and locked makes the interface between the devices watertight.

The terminals are clearly identified with large markings for easy recognition.

Massive external cable grips protect the wiring by preventing conductor movement which can cause strain on the terminals.

High impact thermoset contact carrier is arcing and heat resistant.

All screws are stainless steel for corrosion resistance.

Special keying makes proper alignment of mating devices quick and easy.

Neoprene glands are provided in graduated sizes for use with varying cable sizes. They assure a highly reliable watertight seal at the cable entry to the device.

Two screw pressure terminals provide reliable terminations.

Supertough nylon housing provides increased safety and abuse resistance.

The device is marked with its catalog number and rating for easy identification.