



200 Amp Ship-To-Shore

The only 200 Amp-rated Ship-to-Shore System
- built specifically for Mega-Yachts.

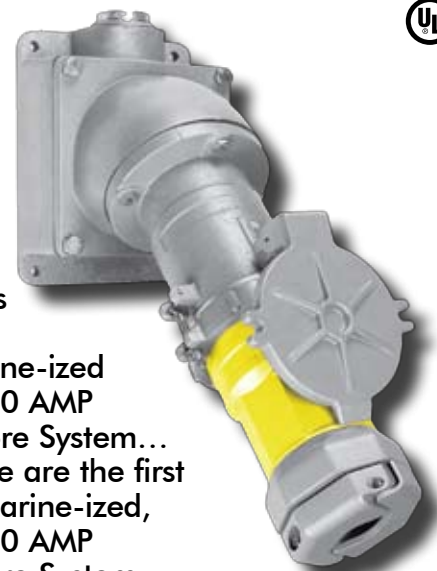


FEATURES

- Type 3, 4, 4X rated per UL50 standard for superior water resistance.
- UL listed and CSA certified.
- Interchangeable with other "UL1682" listed devices.
- Terminal screws feature swivel/pressure pads to secure, and prevent damage to, conductor strands.
- Cable clamp captures cable at four points, provides superior retention.

SPECIFICATIONS

- ◆ Housing is made of copper-free aluminum with an electrostatically applied epoxy/polyester finish.
- ◆ Accepts a cord range of #1 AWG – 250 MCM.
- ◆ Pins and Sleeves are made of nickel-plated Tellurium copper for superior corrosion and heat resistance.



Hubbell was the first to offer a marine-ized UL listed 100 AMP Ship-To-Shore System... and now, we are the first to offer a marine-ized, UL listed 200 AMP Ship-To-Shore System.

Hubbell 200 Amp devices are listed to UL 1682 and UL Classified for the mating and operation of 200 Amp devices with Crouse-Hinds® and Appleton®.

Ship-to-Shore Selection Chart

	Boatside		Dockside		
<p>200A 600V AC/250V DC 50-400 Hertz 4 Pole, 5 Wire</p> <p></p>	 M5200BS1R	 M5200CS1R	 M5200PS1	 M5200CS1	 M5200RS1



200A
600V AC/250V DC
50-400 Hertz

200A 600V Ship-to-Shore Devices

Description	Catalog Numbers
Gray metallic watertight shore power inlet with wingnut-secured lid for water tightness when not in use.	M5200BS1R
Gray/yellow metallic watertight connector body with locking ring to make inlet/connector body interface watertight. Cord range is #1 AWG-250 MCM (0.653 max. conductor diameter).	M5200CS1R
Gray/yellow metallic watertight plug with locking ring to make plug/receptacle interface watertight. Cord grip range is #1 AWG-250 MCM (0.653 max. conductor diameter).	M5200PS1
Gray metallic, watertight dockside receptacle with wing nut-secured lid for water tightness when not in use.	M5200RS1
Gray/yellow metallic watertight connector body with wing nut-secured lid for water tightness when not in use. For making plug/connector body interface on extension cords or adapters.	M5200CS1
Gray metallic Back Box for inlets and receptacles has 45° angle section which can be installed in any of 4 positions, 2.0 in. N.P.T. hub.	MB2003W
Gray metallic Back Box – same as above but 2½ in. N.P.T. hub.	MB2004W



M5200BS1R



M5200CS1R



M5200PS1



MB2003W

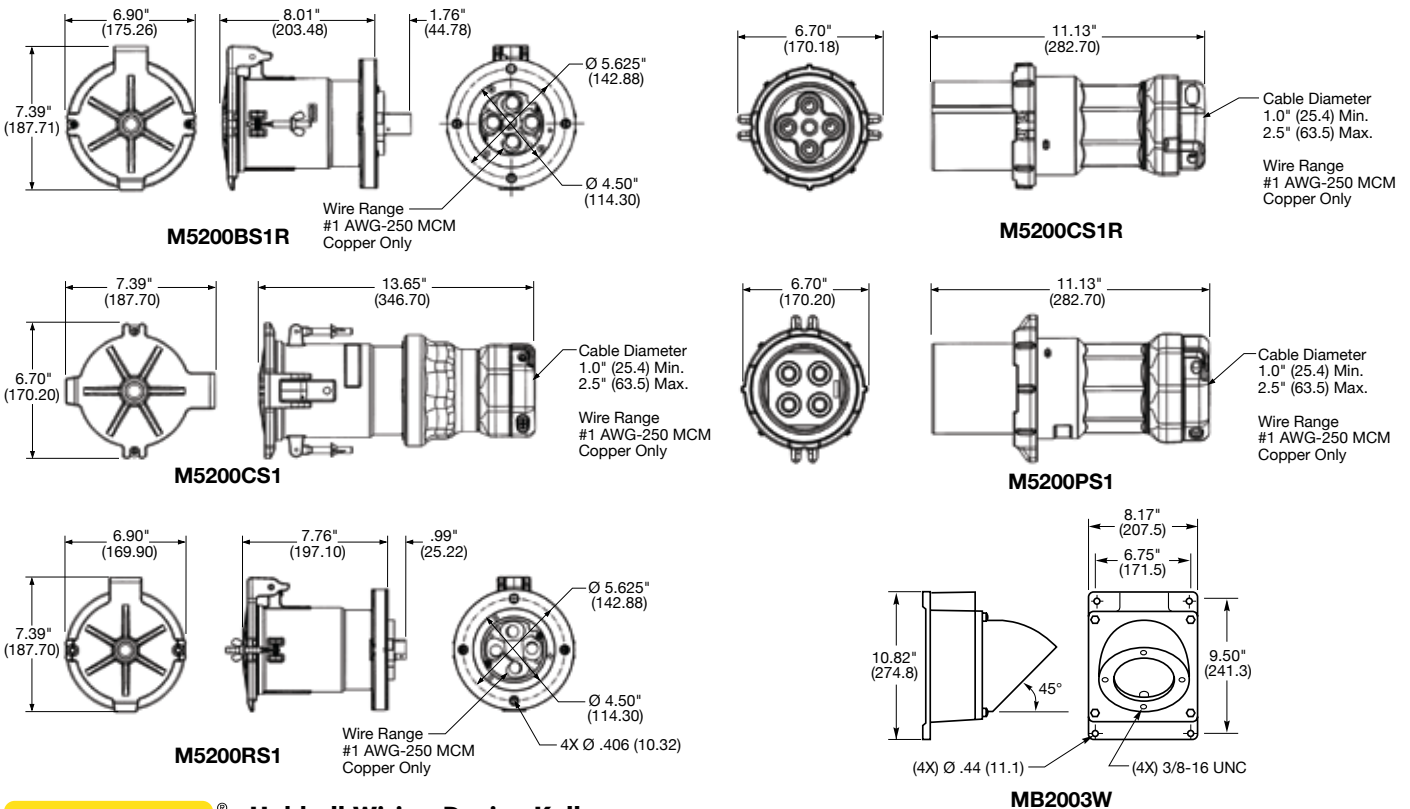


M5200RS1



M5200CS1

Dimensions



Hubbell Wiring Device-Kellems

Hubbell Incorporated (Delaware)
 185 Plains Road • Milford, CT 06461-2420 • (800) 288-6000 • Fax: (800) 255-1031
www.hubbell-wiring.com

Marine Products