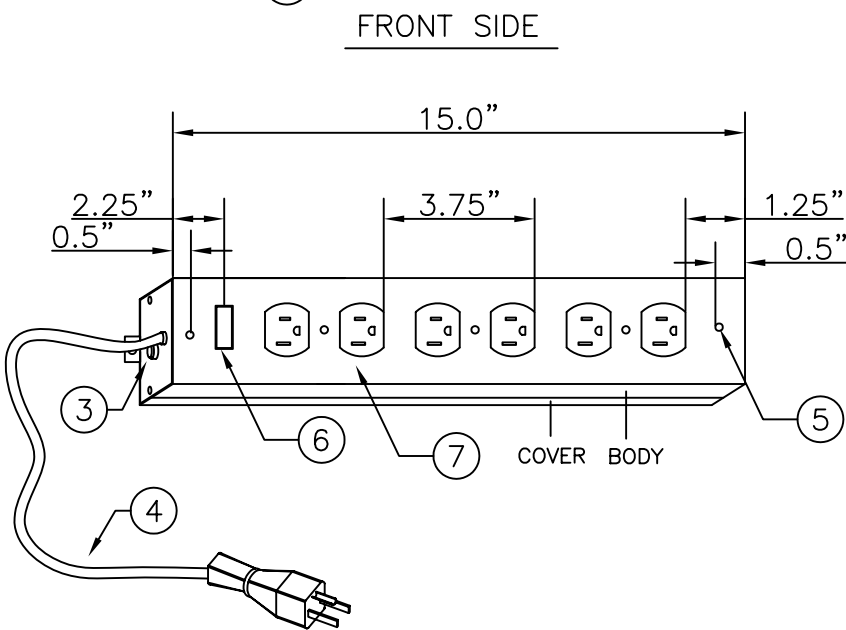
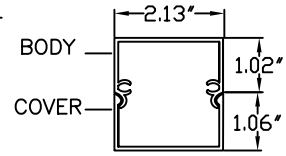


BACK SIDE



FRONT SIDE

CROSS SECTION



- 1-BLACK METAL END PLATE (MCPBP) W/SCREWS
- 2-BLACK METAL END PLATE (MCPEP) W/SCREWS
- 3-15A 125V CIRCUIT BREAKER
- 4-10FT BLACK CORD W/ MOULDED PLUG
- 5-BODY GROUND RIVET
- 6-15A 125V ROCKER LIGHTED SWITCH (MCPSW)
- 7-(3) 15A 125V WHITE DUPLEX RECEPTACLES



**Hubbell Canada LP**  
 870 Brock Road South  
 Pickering, ON L1W 1Z8  
 Tel:(905)839-4332  
 Fax:(905)839-9120  
 www.hubbell-canada.com

SPECIFICATION:  
 FINISH : GREY  
 15A 125V

 SIGN OFF

TITLE: <b>MCP610BS</b>		
PROJECT NAME: -		
DRAWN BY: DO	DATE: 03/28/01	DWG NO.: 6-1206
APPRVD: DO	SCALE: NTS	SHEET: 1/1
CUSTOMER APPROVAL:		REV: A3

\*YOU ARE HEREBY NOTIFIED THAT ANY DISSEMINATION, DISCLOSURE, COPYING OR DISTRIBUTION OF THE IDEAS, INFORMATION OR DESIGNS THEREIN SHOWN WITHOUT OUR WRITTEN PERMISSION IS STRICTLY PROHIBITED.