

Fire-Rated Poke-Throughs ScrubShield™ Flush Duplex Series

ScrubShield™
Complies with UL514A

One-Piece Units: Complete with flush service fitting and a through-floor fitting. These units are all pre-wired.



PT7FSDBR2A

Two-Piece Units: Order flush service fitting and through-floor fitting separately.



PT7FSD



FRFGYA

One-Piece Units Standard Duplex – Painted Aluminum



Description	Color	Catalog Numbers	Canadian Series* Catalog Numbers
With Hubbell HBL5352 series (20A) specification grade receptacle & two low-voltage knockouts. Equipped with a cast aluminum carpet flange and a thermoplastic (ABS) duplex flap cover.	Brown	PT7FSDBRA	PT7FSDBRCA
	Black	PT7FSDBLA	—
	Gray	PT7FSDGYA	PT7FSDGYCA
	Ivory	PT7FSDIA	PT7FSDICA

*Canadian series is CSA Certified and equipped with HBL5252 (15A) duplex receptacle.

Standard Duplex – Brass

Description	Type	Catalog Numbers
All brass: Includes brass carpet flange and matching brass duplex flap cover. Equipped with a pre-wired Hubbell HBL5352 black receptacle and two brass low-voltage knockouts.	All Brass	PT7FSDBR2A
Partial brass: Same as Hubbell PT7FSDBR2A except with a black thermoplastic (ABS) duplex flap cover.	Partial Brass	PT7FSDBR3A

Isolated Ground – Painted Aluminum

Description	Color	Catalog Numbers
With Hubbell IG5362 (20A) isolated ground receptacle & two low-voltage knockouts. Equipped with a cast aluminum carpet flange and a thermoplastic (ABS) duplex flap cover.	Gray	PT7IGFSDGYA
	Ivory	PT7IGFSDIA

Isolated Ground – Brass

Description	Type	Catalog Number
Same as Hubbell PT7FSDBR2A except pre-wired with a Hubbell IG5362 series (20A) isolated ground receptacle.	All Brass	PT7IGFSDBRSA

Two-Piece Units Flush Service Fittings

Description	Color	Catalog Numbers	Canadian Series* Catalog Numbers
With pre-wired Hubbell HBL5352 series (20A) specification grade receptacle & two low-voltage knockouts. Equipped with a cast aluminum carpet flange and a thermoplastic (ABS) duplex flap cover.	Brown	FRFBRA	—
	Black	FRFBLA	—
	Gray	FRFGYA	FRFGYCNA*
	Ivory	FRFIA	FRFICNA*
	All Brass	FRFBR2A	—

*Canadian series is CSA Certified and equipped with HBL5252 (15A) duplex receptacle.

Through-Floor Fittings

Description	Type	Catalog Numbers
Three-service poke-through fittings install in a 3" (76.2) diameter core drilled hole and will accommodate a floor thickness range of 2 1/4" - 7" (57.2 - 177.8). Includes a 3/4" EMT tube for power wiring.	With junction box	PT7FSD
	Without junction box	PT73SD

Fire-Rated Poke-Throughs ScrubShield™ Flush Duplex Series

ScrubShield™
Complies with UL514A



Replacement Duplex Flap Covers

Description	Color	Catalog Numbers
Replacement cover for one-piece and two-piece flush poke-throughs featured on the previous page.	Brown	PFBCBBA
Insert cover only, excludes carpet flange and receptacle.	Black	PFBCBLA
	Gray	PFBCGYA
	Ivory	PFBCIA
	Brass	BRS2RCA

Modular Voice/Low Speed Data Jacks For Flush Fire-Rated Poke-Throughs

Install in the low-voltage knockouts on the flush duplex series poke-throughs. Provide convenient plug-in capability for telephone and low-speed data applications.

Description	Color	Catalog Number
TJ8 Modular Jack Accessory: 8 position/8 wire (AT&T, EIA 568B) with pre-wired 15" (381) leads, includes dust cover.	Black	TJ8

Specifications

Material

Housing: Engineered flame-retardant thermoplastic UL rated 94V-0.

Contacts: .02 diameter spring temper phosphor bronze.

Contact plating: 100 micro inches of nickel with a minimum of 50 micro inches of hard gold per FCC part 68 subpart F and Mil Std-G-45204, minimum plating density of 17 grams per cubic centimeter.

Wire type: 24 gauge color coded PVC insulation per U.L. type 1061.

Mechanical

Contact mating pressure: 100 grams minimum per FCC part 68 subpart F.

Crimp tensile strength: 4 lbs. minimum.

Modular plug retention: 17 lbs. minimum.

Customer use insertion cycles: 1000 minimum.

Electrical

Contact resistance: 5 milliohms maximum per EIA/TIA standard 568 level one.

Insulation resistance: 500 megohms minimum.

Dielectric strength: 1000V rms 60hz.

Applications

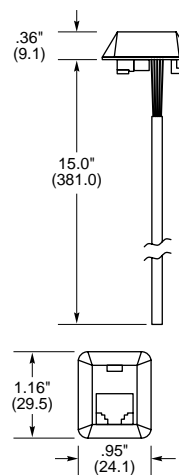
Voice circuits.

Low speed data (up to 1 MBIT/s).

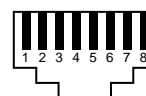
Accessories Flush Duplex



Dimensions



Catalog No. TJ8



AT&T/PDS, EIA 568B
8 Position/8 Wire

Wire Color Markings

Pos.	Color
1	White/Orange
2	Orange/White
3	White/Green
4	Blue/White
5	White/Blue
6	Green/White
7	White/Brown
8	Brown/White

Fire-Rated Poke-Throughs ScrubShield™ Flush Duplex Series



Duplex Receptacle and Voice/Data



PT7FSDBR2A

Hubbell continues to offer significant installation improvements to its line of flush fire-rated poke-through fittings. This “step down” feature allows Hubbell flush poke-through fittings to be completely wired with flexible conduit and installed from above the floor. Two internal “spurs”, which are fastened onto the fitting, secure it in a cored hole when the unit is pushed down into the cored hole. These spurs may also be removed, thereby providing easy removal and reuse of the poke-through fitting. This new design saves time and labor by eliminating the need to secure the fitting from below the floor. All Hubbell flush fire-rated poke-through fittings now incorporate this new installation feature.

Product Information – Duplex Receptacle Series

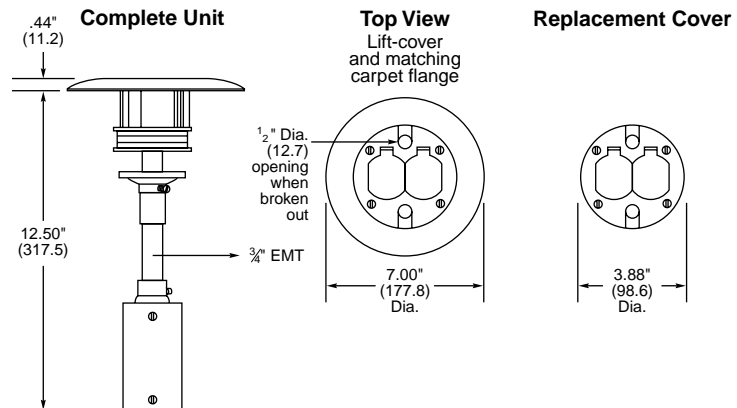
- Independent, spring-loaded lift covers are self-closing to protect receptacles when they are not in use. . . will not stick open like sliding covers.
- Flush die-cast aluminum carpet flange and thermoplastic lift cover or opt for all brass.
- 3/4" pre-wired conduit contains and isolates power conductors.
- Two low voltage openings for up to one 25 pair telephone cable per opening. . . will accept low-profile voice/data jack.
- Units come standard with a pre-wired HBL5352 or IG5362 series receptacle (15A, HBL5252 series for Canadian units).
- Stationary fire barrier expands during fire conditions to provide an upper fire seal.
- Adjustable fire barrier accommodates floor thickness from 2 1/4" to 7" (57.2 to 177.8) - Seals bottom of the core drilled hole.
- Integral junction box incorporates seven 3/4" knockouts.

Applications Data

- Mounted in core drilled 3" (76.2) diameter hole through the concrete floor.
- Floor thickness range: 2 1/4" to 7" (57.2 to 177.8).
- UL Listed for fire resistance in 1-4 hour rated floors.

Dimensions

Flush Series with Duplex Receptacle



UL Characteristics

Listing	UL File Number
Outlet Box	E31999
Fire Resistance	R8429

- For use in 1, 1 1/2, 2, 3, or 4 hour rated unprotected reinforced concrete floors, **OR**
- in 1, 2 or 3 hour rated floors employing steel floor units and concrete topping (D900 Series designs).

UL Spacing Restrictions – Minimum of 2 ft. O.C. and not more than one unit per each 65 sq. feet of floor area in each span.