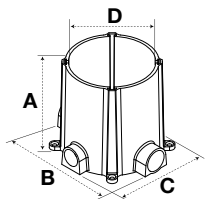






# Floor Boxes Flush Round Single or Multi-Service Non-Metallic Concrete Floor Box

## Dimensions Inches (mm)

	
Min. Depth of Pour	3.00" (76.2)
Capacity	100 cubic inches prior to cutting level to floor (19.5 cubic inches per inch of depth).
Dimensions – A	6.00" (152.4)
Dimensions – B	7.08" (179.8)
Dimensions – C	6.69" (169.9)
Dimensions – D	5.38" (136.5)
Hubs	(2) 1.0" and (2) ¾" conduit hubs
Concrete Cover Included	✓
Closure/Reducer Plugs	(2) 1" plugs close off 1" hubs or reduce 1" to ¾" (2) ¾" plugs close off ¾" hubs or reduce ¾" to ½"

Note: UL File Number E92074. CSA File Number LR18416.

Description	Catalog Number
<b>Adapter</b> Required for all applications.	 <b>PFBA1A</b>
<b>Low Voltage Divider</b> Required for use with catalog number PFB1 when used in multi-service applications. Accepts Hubbell standard duplex receptacles or 15A Twist-Lock® duplex receptacles (HBL4700 series).	 <b>PFBT1A</b>
<b>"Y" Adapter</b> ¾ in. "Y" adapter to feed parallel runs of ¾ in. conduit.	 <b>PFBYA1</b>

## Flush Round Covers and Flanges

### Multi-Service Cover and Flange Assemblies

Includes floor box cover with duplex flaps, (2) ½ in. dia. low voltage feed through holes and matching carpet flange. 6.25 in. Diameter

**SF39253A**



Brass

**PFBCBRA**



Brown Non-Metallic

**PFBCBLA**



Black Non-Metallic

**PFBCGYA**



Gray Non-Metallic

**PFBCIA**



Ivory Non-Metallic

### Single Service Covers

Brass  
Aluminum  
3.88 in. Dia.

**S3925**  
**SA3925**



Duplex Flap

**S3725**  
**SA3725**



Duplex Screw

**S2525**  
**SA2525**



2 1/8" x ¾"  
Combination

**S2725**  
**SA2725**



2 1/8" x 1"  
Combination

**S2925**  
**SA2925**



2 1/8" Single Receptacle

**S3525**  
—



2 3/8" Single Receptacle

**S3325**  
—



2 1/8" Single Receptacle  
(Terrazzo Floor)

### Metal Carpet Flange

Use with single service covers for carpet applications. 6.25 in. Diameter

**S3082**



Brass

**SA3082**



Brushed Aluminum

### Adapter Ring

Use with single service covers for tile applications.

**S5016**



Brass

**SA5016**



Aluminum

### Furniture Feed Plate

Unpainted plate with 1 in. threaded opening.

**PFBP1**



Steel

### One Piece Brass Cover and Carpet Flange

6.25 in. Dia.

**SF3925**



Duplex Flap

**SF2525**



2 1/8" x ¾"  
Combination

**SF2725**



2 1/8" x 1"  
Combination

**SF2925**



2 1/8" Single Receptacle

Note: Adapter ring S5016 is required for mounting SF series covers onto PFBA1A.